



**WS 482 710**

Stainless steel-backed glass front  
Width 30" (76 cm), Height 8 3/16" (21 cm)

**Installation accessories**

BA 478 510  
Optional handle, stainless steel  
Length 24 1/8".

**400 series convection warming drawer**  
**WS 482**

- Handleless warming drawer
- Perfect for combination with 30" single and combi-steam oven.
- Bright interior lighting
- Soft-closing system
- Hygienic stainless steel interior with glass bottom
- 4 temperature levels ranging from 100°F - 175°F
- Keeps food and drinks warm, also for preparing and cooking meals
- Net volume 1.3 cu.ft.

**Cooking modes**

Defrosting of meals/proofing of yeast dough.  
Preheating of small beverages.  
Keeping meals warm/slow cooking.  
Warming of dishes.

**Operation**

Rotary knob operation.  
Recessed grip at the front bottom center of drawer.

**Features**

Usable interior dimensions H 5 3/4" x W 23 7/8" x D 18 7/8".  
Volume capacity: Dinner set for 10 people including ø 11" plates and soup bowls, additional bowls and a serving dishes depending on size.  
Integrated base glass plate heating for easy cleaning.  
Convection fan for even heat distribution.  
Status display, visible in the glass front.  
Base plate made of safety glass.  
Max. load 55 lbs.

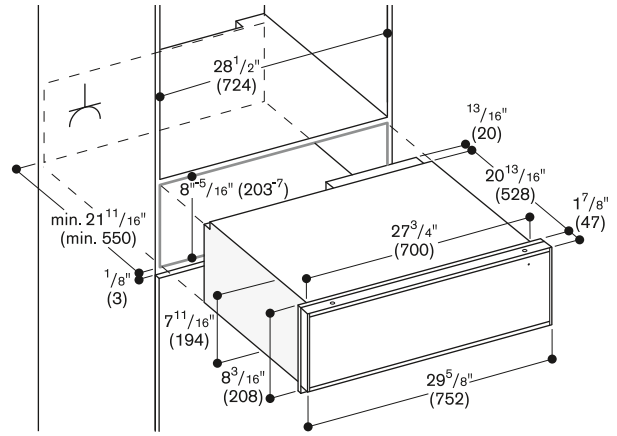
**Planning notes**

The front of the appliance extends 1 7/8" from the cabinet front.  
Always use an intermediate shelf – at least 3/4" thick – when mounting a 400 series single oven/combi-steam oven above warming drawer.  
When mounting the drawer below the 400 series combi-steam oven, plan a recess of at least 1 3/8" between the back wall and the warming drawer to allow for the inlet and outlet hose to be installed appropriately.  
With a niche depth of 23 1/2", the electric outlet can be planned behind the appliance.

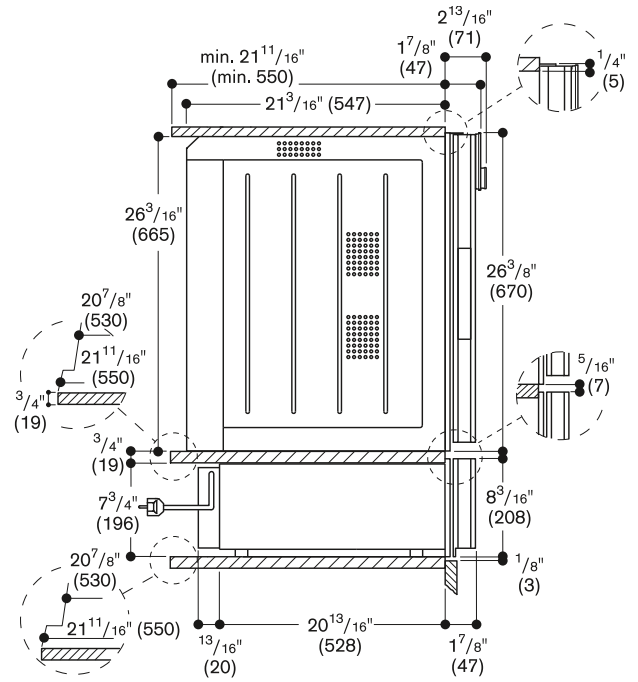
Please read the installation details regarding air openings on pages 6–7.

**Rating**

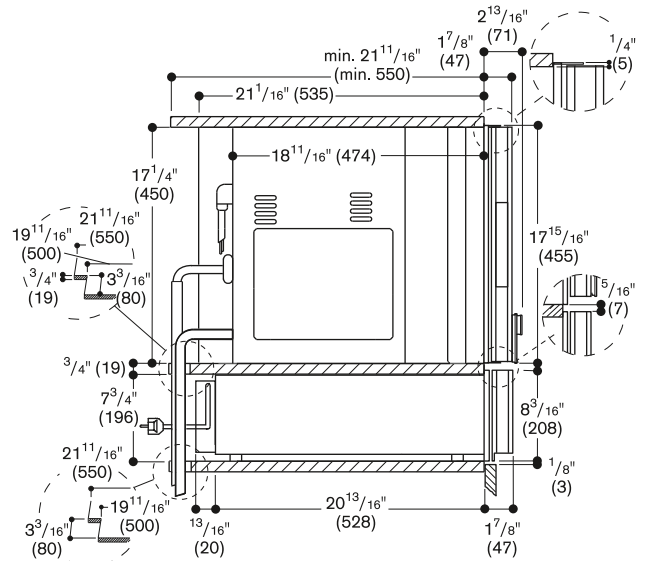
Total rating: 0.81 kW.  
Total Amps: 15 A  
120 V / 60 Hz  
Connecting cable 6' with plug.



**Side view of WS 482 below BO single oven**



**Side view of WS 482 below BS combi-steam oven**



Numbers indicated inside parenthesis ( ) = mm