



VR 414 611

Stainless steel
Width 15" (38 cm)

Included accessories

- 1 cast pan, half size
- 1 grease collecting insert
- 2 cast grills
- 1 lava stone
- 1 cleaning brush

Installation accessories

In combination of several Vario cooktops or VL 414 downdraft, connecting strips must be used. Choose respective VA 420 strip from one of the below, depending on type of installation.

VA 420 000

Connection strip for combination with other Vario 400 series appliances for **flush mounting**.

VA 420 010

Connection strip for combination with other Vario 400 series appliances for **surface mounting**.

VA 440 010

Stainless steel appliance cover with mounting strip.
Only available for individual Vario installation

Optional accessories

LV 030 000

Lava stones for refilling.

VA 461 000

Cast-iron griddle, enameled, half size
For Vario electric grill 400 series.
For simultaneous searing and grilling on two separate surfaces.

Vario 400 series electric grill

VR 414

- Two zones can be operated together or separately
- Half size cast-iron griddle included for simultaneous searing and grilling on two separate surfaces
- Open cast-iron grill, lava stones
- Solid stainless steel control knob
- Precision-crafted 3 mm stainless steel
- For surface mounting with a visible edge or for flush mounting
- Can be combined with other Vario 400 series products

Operation

Control knobs with illuminated ring, cooking zone and output level markings. Electronic control in 12 output levels.

Features

Cooktop, lava stone trough and grease collecting insert from stainless steel. Two zones, each 1500 W, can be operated together as a complete surface or each half separately. Two-part cast grill.

Safety

Safety shut-off.
Pre-heat and residual heat indicator.

Planning notes

Depending on the type of installation (surface-mounted or flush-mounted, with or without an appliance cover), the specific location of the cut-out and the knob positions may vary.

If installing with the appliance cover VA 440 take into account the additional space required for the depth.

If combining several Vario 400 series appliances, a connection strip VA 420 must be placed between the appliances. Depending on the type of installation, the corresponding connection strip must be provided.

The bearing capacity and stability, in the case of thin countertops in particular, must be supported using suitable substructures. Take into account the appliance weight and additional loads.

Additional instructions for flush mounting: Installation is possible in countertops made of stone, synthetics or solid wood. Heat resistance and watertight sealing of the cut edges must be observed. Concerning other materials please consult the countertop manufacturer. The groove must be continuous and even, so that uniform placing of the appliance on the gasket is ensured. Do not use discontinuous lining. The joint width may vary due to size tolerances of the combinations and of the countertop cut-out.

If installing several appliances in individual cut-outs, allow for a minimum distance of 1 15/16" (50 mm) between the cooktops.

A minimum lateral clearance of at least 4" from adjacent heat-sensitive cabinets or from the wall must be observed.

Recirculation is not recommended for the electric grill.

It is recommended that the electric grill is installed, if possible, in the

center of the cooktop configuration and not at the edge.

Appliance can be snapped into the countertop from above.

Appliance weight: approx. 57.3 lbs.

Rating

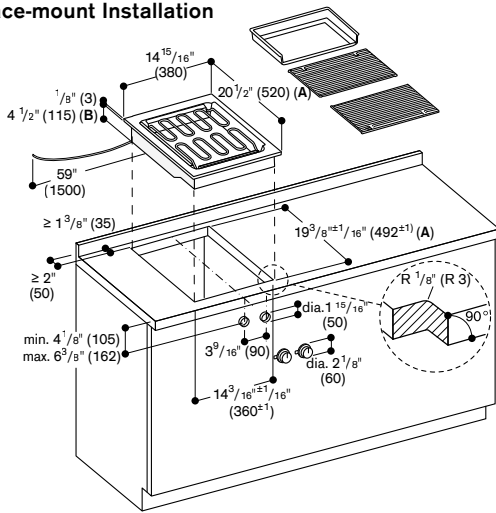
Total rating: 3 kW.

Total Amps: 16 A.

208/220-240V / 60 Hz

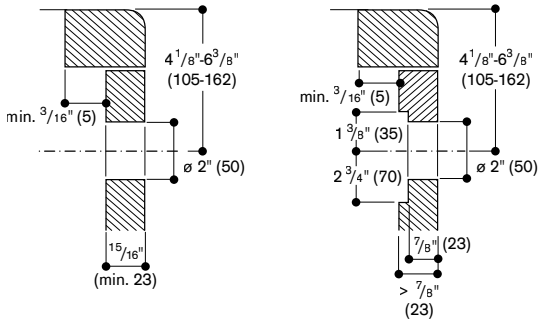
Plan for a 59" connecting cable without plug (hardwire required).

Surface-mount Installation

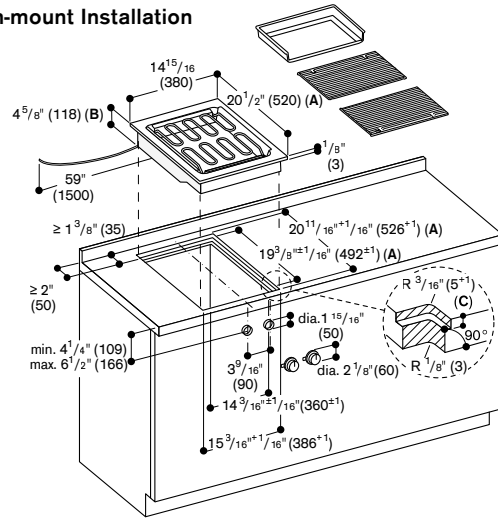


A: When installing with appliance cover, take the deeper cut-out into consideration. See separate planning notes.
 B: 5 1/8" (130 mm) in the area of the cable clamp (left, on the rear side).

Installation of the control knob; surface-mount installation

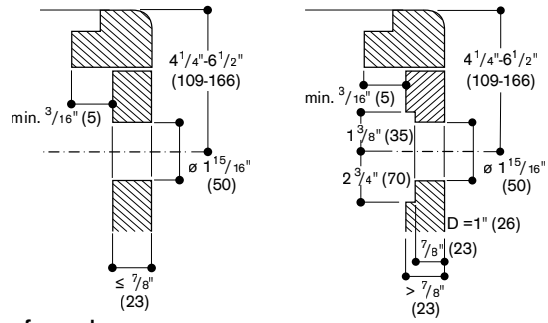


Flush-mount Installation

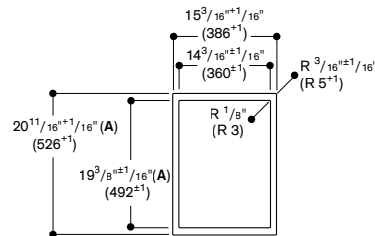


A: When installing with appliance cover, take the deeper cut-out into consideration. See separate planning notes.
 B: 5 1/8" (130 mm) in the area of the cable clamp (left, on the rear side).

Installation of the control knob; flush-mount installation

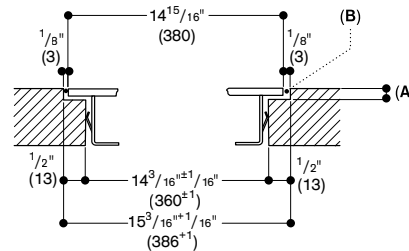


View from above



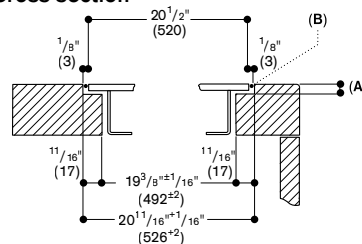
A: When installing with appliance cover, take the deeper cut-out into consideration. See separate notes "assembly with appliance cover".

Longitudinal section



A: 1/8" (3.5^{0.5})
 B: Fill with silicone

Cross-section



A: 1/8" (3.5^{0.5})
 B: Fill with silicone