



VR 230 614

Stainless steel control panel
Width 12" (28 cm)

Included accessories

- 1 grilling tongs
- 1 cleaning brush
- 1 lava stone
- 1 grease collecting insert
- 1 stainless steel appliance cover

Installation accessories

VV 200 014
Connecting strip for combination
with other appliances

Optional accessories

- LV 030 000**
Lava stones for refilling
- AM 060 000**
Cast-iron roaster griddle pan

Vario 200 series electric grill

VR 230

- Special appliance for restaurant-grade capabilities in the home kitchen.
- Integrated control panel for comfortable and secure operation.
- With lava stones just like outdoor grilling with even heat distribution.
- Two independent temperature zones. Braise, cook or keep food warm at the same time.

Features

9 power levels.
Shot-blasted stainless steel basin, lava stone container and grease collecting tray (dishwasher-safe).
One cast-iron grill grid.
Two separately controlled grill heating elements, swivel-out type, each element 1,500 W.

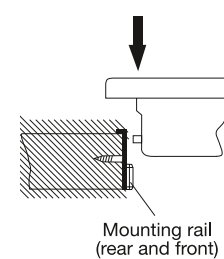
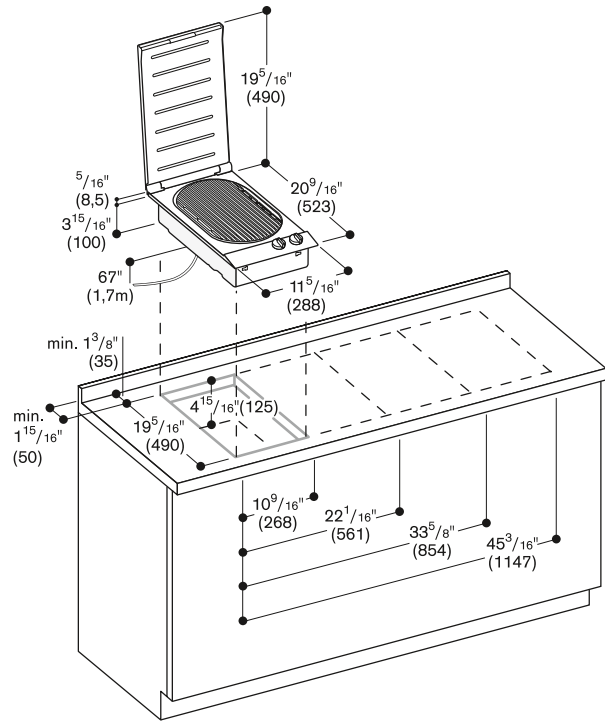
Planning notes

Appliance clicks into place when inserted in the countertop from above.
A minimum clearance of 7 7/8" must be observed from heat-sensitive furnishings or contact faces or thermal insulation must be installed.
We recommend the combination with downdraft ventilation.
When installed with overhead ventilation, the AM 060 000 griddle plate must be used.
Minimum distance to a ventilator hood is 24".

Please read additional planning notes on page 90 – 91.

Rating

Total rating: 3.0 kW
Total Amps: 13
220-240V / 60Hz
Plan for a 67" connecting cable without plug (hardware required).



Numbers indicated
inside parenthesis () = mm