



## VP 414 611

Stainless steel  
Width 15" (38 cm)

## Included accessory

2 spatulas

## Installation accessories

In combination of several Vario cooktops or VL 414 downdraft, connecting strips must be used. Choose respective VA 420 strip from one of the below, depending on type of installation.

### VA 420 000

Connection strip for combination with other Vario 400 series appliances for **flush** mounting.

### VA 420 010

Connection strip for combination with other Vario 400 series appliances for **surface** mounting.

### VA 440 010

Stainless steel appliance cover with mounting strip.

Only available for individual Vario installation.

## Vario 400 series teppan yaki

### VP 414

- Hard chrome-plated surface for teppan cooking and use as griddle, grill, searer and warming plate. No pots or pans necessary
- Exact temperature control up to 480° F
- Optimum heat distribution
- Solid stainless steel control knob
- Precision-crafted 3 mm stainless steel
- For surface mounting with a visible edge or for flush mounting
- Can be combined with other Vario 400 series products

## Cooking zones

Cooking area: W 12 3/16" x D 17 5/16"  
(31 x 44 cm)

## Operation

Control knobs with illuminated ring, cooking position and output marking. Electronic temperature control from 240 to 480° F.

## Features

Two zones, each 1,500 W, can be operated together as a complete surface or each half separately. Cleaning function. Keep warm setting.

## Safety

Safety shut-off.  
Pre-heat and residual heat indicator.

## Planning notes

Depending on the type of installation (surface-mounted or flush-mounted, with or without an appliance cover), the specific location of the cut-out and the knob positions may vary.

If combining several Vario 400 series appliances, a connection strip VA 420 must be placed between the appliances. Depending on the type of installation, the corresponding connection strip must be provided. The weight bearing capacity and stability, in the case of thin cooktops in particular, must be supported using suitable substructures. Take into account the appliance weight and additional loads.

Additional instructions for flush mounting: Installation is possible in countertops made of stone, synthetics or solid wood. Heat resistance and watertight sealing of the cut edges must be observed. Concerning other materials please consult the countertop manufacturer. The groove must be continuous and even, so that uniform placing of the appliance on the gasket is ensured. Do not use discontinuous lining. The joint width may vary due to size tolerances of the combinations and of the countertop cut-out.

Please read additional planning notes on pages 108 – 113.

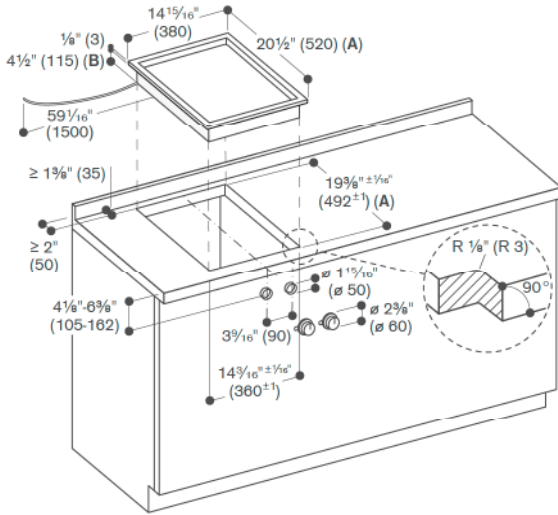
If installing several appliances in individual cut-outs allow for a minimum distance of 2" between the cooktops. A minimum lateral clearance of at least 1 3/8" from adjacent heat-sensitive cabinet or contact surfaces must be observed or thermal insulation fitted. Appliance can be snapped into the countertop from above. Appliance weight: approx. 26.5 lbs.

Please read additional planning notes on pages 108 – 113.

## Rating

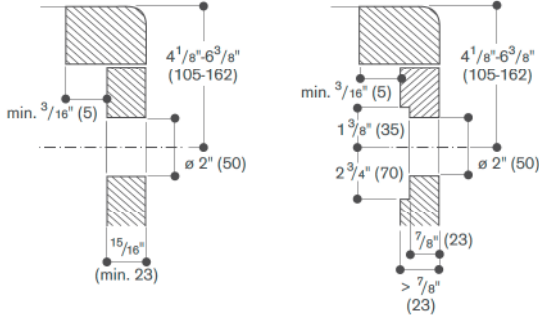
Total rating: 3 kW  
Total Amps: 16 A.  
208/220–240 V / 60 Hz  
Plan for a 59" connecting cable without plug (hardwire required).

## Surface-mount Installation

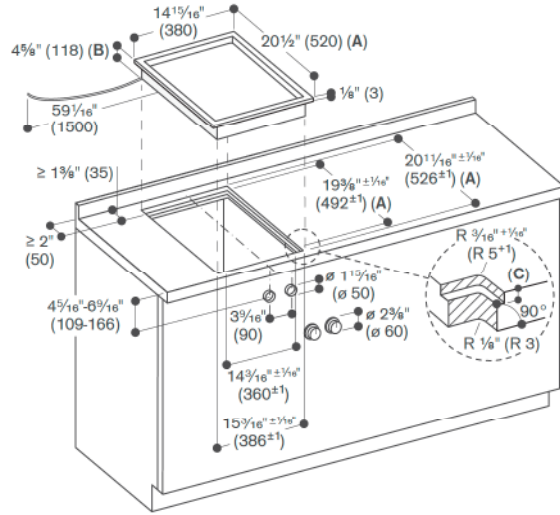


A: When installing with appliance cover consider the deeper cut-out (observe separate planning notes) See separate planning notes on page 113.  
 B: 5/8" (130 mm) in the area of the cable clamp (left, on the rear side)

## Installation of the control knob; surface-mount installation

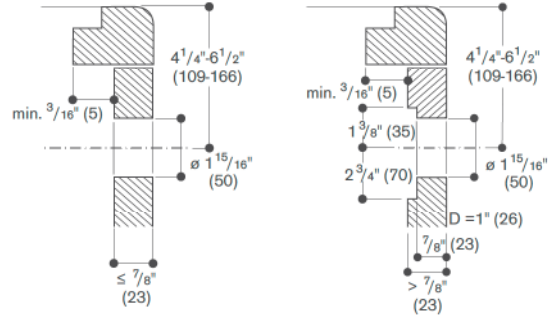


## Flush-mount Installation

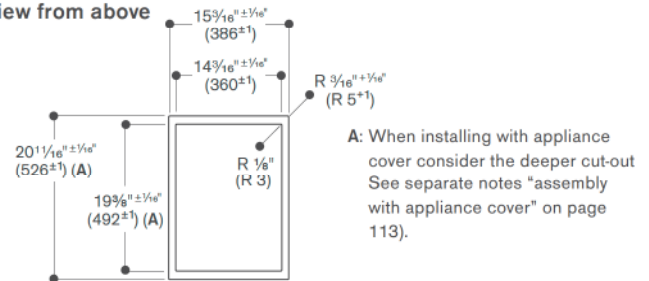


A: When installing with appliance cover consider the deeper cut-out (observe separate planning notes) See separate planning notes on page 113.  
 B: 5/8" (130 mm) in the area of the cable clamp (left, on the rear side)  
 C: 1/8" (3.5<sup>0.5</sup>)

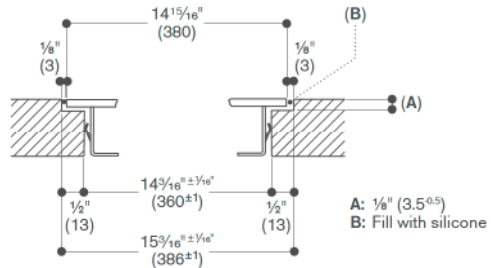
## Installation of the control knob; flush-mount installation



## View from above



## Longitudinal section



## Cross-section

