

Gaggenau

Installation instructions2

Notice de montage13

Instrucciones de instalación24

VI 414 613

Cooktop

Surface de cuisson

Placa

Table of Contents

▲ Safety Definitions	2
IMPORTANT SAFETY INSTRUCTIONS	3
Safety Codes and Standards	3
Electric Safety	4
Related Equipment Safety	4
Proposition 65 Warning	5
Before you begin	6
Tools and Parts Needed	6
Parts Included	6
Cabinet Requirements	6
Countertop Requirements	6
Prepare Installation Space	7
Cutting out countertop	7
Ventilation	8
Installation Procedure	9
Mounting Control Knobs	9
Installing the heat shield	10
Install Appliance	10
Connect Electrical Supply	11
Check the Installation	11
Removing appliance	11
Customer Service	12

▲ Safety Definitions

▲ WARNING

This indicates that death or serious injuries may occur as a result of non-observance of this warning.

▲ CAUTION

This indicates that minor or moderate injuries may occur as a result of non-observance of this warning.

NOTICE

This indicates that damage to the appliance or property may occur as a result of non-compliance with this advisory.

Note: This alerts you to important information and/or tips.

Additional information on products, accessories, replacement parts and services can be found at www.gaggenau.com and in the online shop www.gaggenau.com/zz/store

IMPORTANT SAFETY INSTRUCTIONS

READ AND SAVE THESE INSTRUCTIONS

IMPORTANT: The appliance must be installed by a qualified installer.

IMPORTANT: Save for the local electrical inspector's use.

INSTALLER: leave these instructions with this unit for the owner. Show the owner the location of the circuit breaker or fuse. Mark it for easy reference.

OWNER: Please retain these instructions for future reference.

WARNING

If the information in this manual is not followed exactly, fire or shock may result causing property damage or personal injury.

WARNING

Do not repair, replace or remove any part of the appliance unless specifically recommended in the manuals. Improper installation, service or maintenance can cause injury or property damage. Refer to this manual for guidance. All other servicing should be done by an authorized service provider.

Remove all tape and packaging before using the appliance. Destroy the packaging after unpacking the appliance.

Never allow children to play with packaging material.



Hidden surfaces may have sharp edges. Use caution when reaching behind or under appliance.

This appliance is intended for use up to a maximum height of 13,100 feet (4,000 meters) above sea level.

Improper installation is not covered by the warranty.

WARNING

Wearers of electronic implants!

The appliance may contain permanent magnets which may affect electronic implants, e.g. heart pacemakers or insulin pumps. Therefore, during installation, wearers of electronic implants must maintain a minimum distance of 4 inch (10 cm) from the appliance.

Safety Codes and Standards

This appliance complies with one or more of the following Standards:

- **UL 858, The Standard for the Safety of Household Electric Ranges**
- **UL 923, The Standard for the Safety of Microwave Cooking Appliances**
- **UL 507, The Standard for the Safety of Electric Fans**
- **ANSI Z21.1, The American National Standard for Household Cooking Gas Appliances**



IMPORTANT SAFETY INSTRUCTIONS

READ AND SAVE THESE INSTRUCTIONS

- CAN/CSA-C22.2 No. 113 Fans and Ventilators
- CAN/CSA-C22.2 No. 61 Household Cooking Ranges
- CAN/CSA-E60335-1
- CAN/CSA-E60335-2-6 Household and similar electrical appliances - Safety

It is the responsibility of the owner and the installer to determine if additional requirements and/or standards apply to specific installations.

Electric Safety

If required by the National Electrical Code (or Canadian Electrical Code), this appliance must be installed on a separate branch circuit.

The circuit breaker should have a contact separation of at least 3 mm on all poles.

Be sure your appliance is properly installed and grounded by a qualified technician. Installation, electrical connections and grounding must comply with all applicable codes.

Before installing, turn power OFF at the service panel. Lock service panel to prevent power from being turned ON accidentally.



WARNING

IMPROPER GROUNDING CAN RESULT IN A RISK OF ELECTRIC SHOCK!



Consult a qualified electrician if the grounding instructions are not completely understood, or if doubt exists as to whether the appliance is properly grounded. **DO NOT USE AN EXTENSION CORD.**

Related Equipment Safety

The appliance should only be used if installed by a qualified technician in accordance with these installation instructions. The manufacturer is not responsible for any damage resulting from incorrect installation.

Never modify or alter the construction of the appliance. For example, do not remove leveling legs, panels, wire covers or anti-tip brackets/screws.

To eliminate the risk of burns or fire by reaching over heated surface units, cabinet storage space located above the surface units should be avoided. If cabinet storage is to be provided, the risk can be reduced by installing a hood that projects horizontally a minimum of 5 inches (127 mm) beyond the bottom of the cabinet.

Verify that cabinets above the cooktop are a maximum of 13" (330 mm) deep.



IMPORTANT SAFETY INSTRUCTIONS

READ AND SAVE THESE INSTRUCTIONS

DO NOT install refrigerators, dishwashers, ovens (without ventilation), or washing machines below the cooktop.

Note: We strongly recommend the installation of a ventilation system with this appliance.

Proposition 65 Warning:

This product may contain a chemical known to the State of California, which can cause cancer or reproductive harm. Therefore, the packaging of your product may bear the following label as required by California:

STATE OF CALIFORNIA PROPOSITION 65 WARNING:



WARNING

Cancer and Reproductive Harm - www.P65Warnings.ca.gov

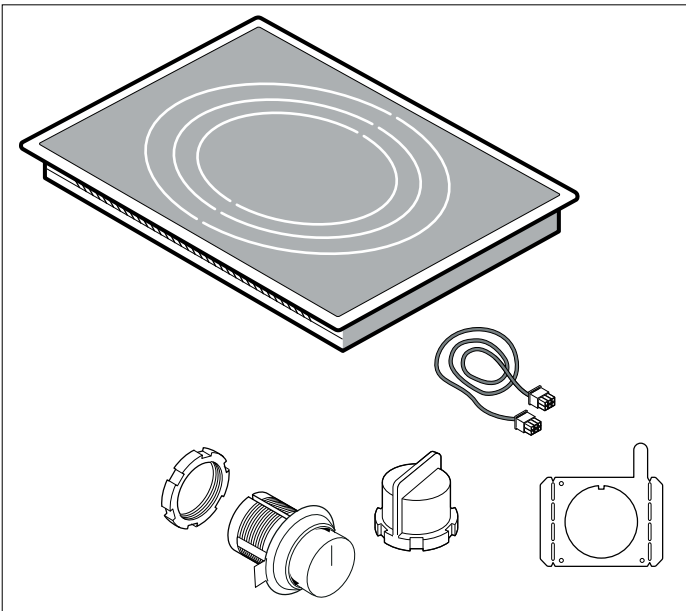
Before you begin

Tools and Parts Needed

- Phillips Head Screwdriver
- Pencil
- Drill with 1/4" (6 mm) bit
- Jigsaw
- Tape Measure

Note: Additional materials may be necessary for installation in solid surface countertops. Contact the countertop manufacturer.

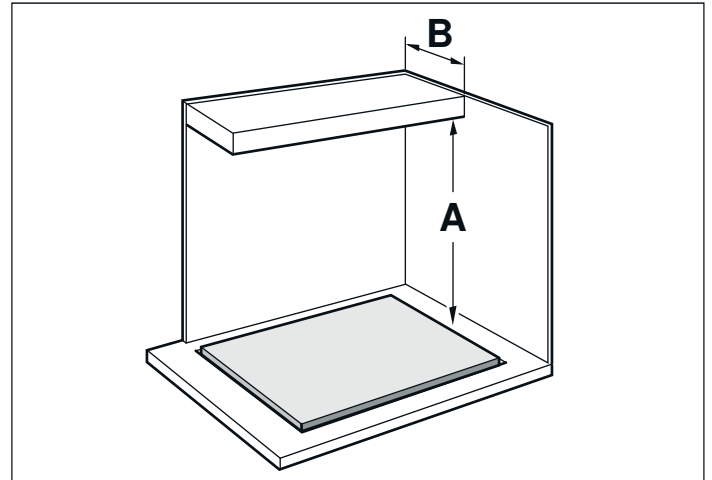
Parts Included



Cabinet Requirements

The distance from the top of the cooktop to the bottom of cabinets above must be a minimum of $A=30"$ (762 mm). This distance can be reduced to $A=24"$ (610 mm) when the bottom of the wood or metal cabinet is protected by not less than 1/4" (6.35 mm) flame-retardant millboard covered with not less than no. 28 gauge sheet metal, 0.015" (0.4 mm) stainless steel, 0.024" (0.6 mm) aluminum or 0.020" (0.5 mm) copper.

Verify that the cabinets above the cooktop are a maximum of $B=13"$ (330 mm) deep.



Countertop Requirements

⚠ WARNING

To reduce the risk of ignition of surrounding combustible materials, install at least 2" (51 mm) from both sidewalls and the rear wall.

The countertop must be level and horizontal. The stability of the countertop must be maintained after the cut-out has been made.

Solid surface countertops often require special installations. For example, heat-reflective tape and rounded corners may be necessary. Contact the countertop manufacturer for instructions specific to your countertop.

Prepare Installation Space

Create the cut-out in the countertop according to the installation diagram. The angle of the cut surface to the countertop must be 90°.

The lateral cut-out edges must be flat in order to ensure that the retaining springs are positioned properly on the appliance. With multi-layered countertops, secure strips laterally in the cut-out if necessary.

After creating cut-out, remove shavings. Seal cut surfaces in a heat- and water-resistant manner.

Observe minimum distance between device underside and cabinet surfaces of $\frac{3}{8}$ " (10 mm).

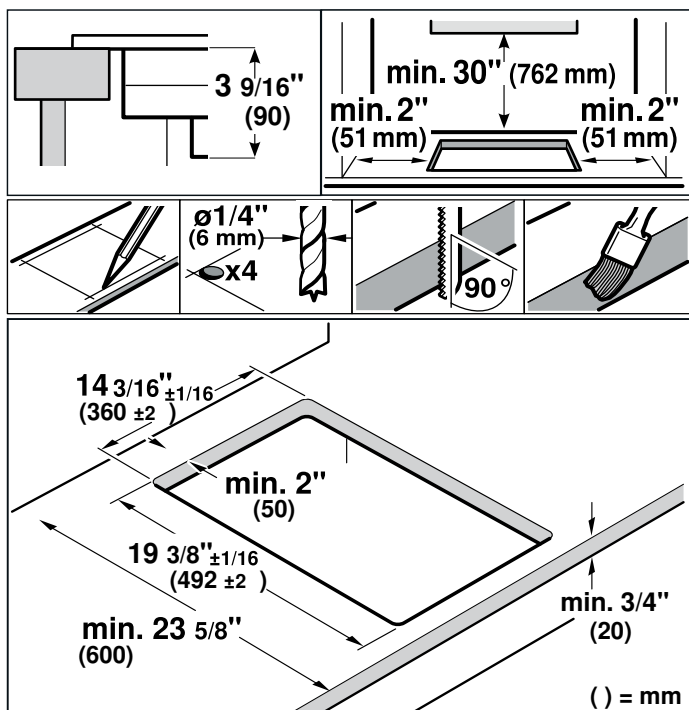
The worktop into which the cooktop is installed must be heat-resistant up to 140° F (90 °C).

The worktop must be reinforced if it is less than $\frac{13}{16}$ inch (20 mm) thick.

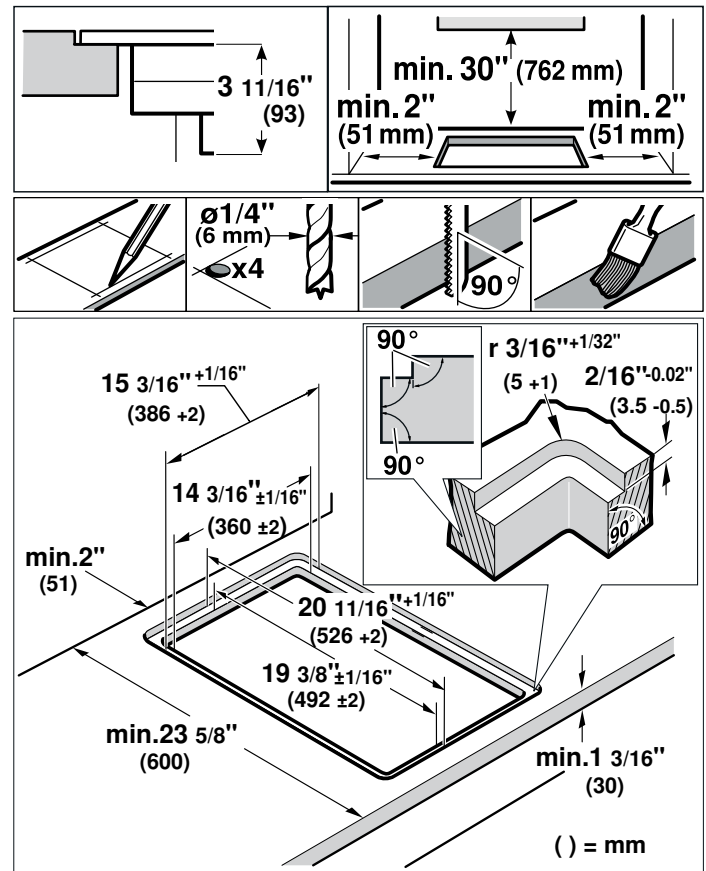
If the thickness of the worktop into which the cooktop is installed does not comply with the specifications, reinforce the worktop using a fire- and water-resistant material until it reaches the minimum thickness. Otherwise, sufficient stability cannot be assured.

- The worktop into which the cooktop is installed should withstand loads of approx. 133 lbs (60 kg).
- Confirm the cooktop is level only after it has been installed.

Cutting out countertop



Flush mounting: Flush mounting into a countertop is possible.



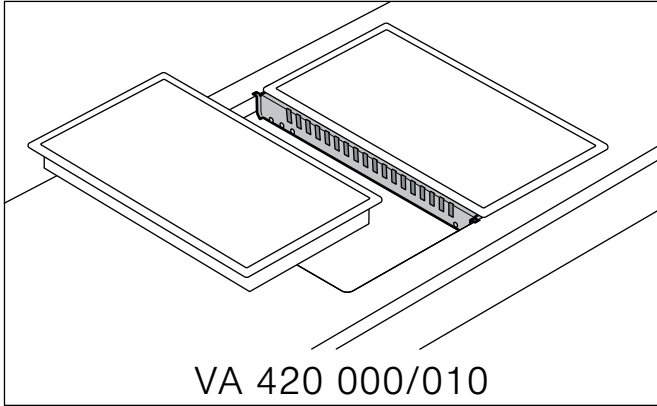
Flush installation: The appliance can be installed in the following temperature- and water-resistant countertops:

- Stone countertops
- Plastic countertops (such as Corian®)
- Solid wood countertops: Only in consultation with the manufacturer of the countertop (seal cut-out edges)
- Installation in other countertops only in consultation with the manufacturer of the countertop.

Installation in countertops made of particleboard is not possible.

Note: Any cut-out work on the countertop must be performed in a workshop according to the installation diagram. The cut-out must be made cleanly and precisely since the cut-out edge is visible on the surface. Clean and degrease the cut-out edges with a suitable cleaning agent (bear in mind silicone manufacturer's processing instructions).

Combining several Vario devices: The connecting strip VA 420 000/010 is required for the combination of several Vario appliances. This is available separately as a special accessory. Consider additional space requirement for the connecting strip between the appliances when making the cut-out (see installation instructions VA 420 000/010).



Appliances can also be installed in individual cut-outs, bearing in mind a minimum distance between the devices of 2" (51 mm).

Drilled Hole for Control Knob

Possible types of installation:

- Installation in the front of the base cabinet
- Installation in the countertop next to the appliance
- Installation in the countertop in front of the appliance

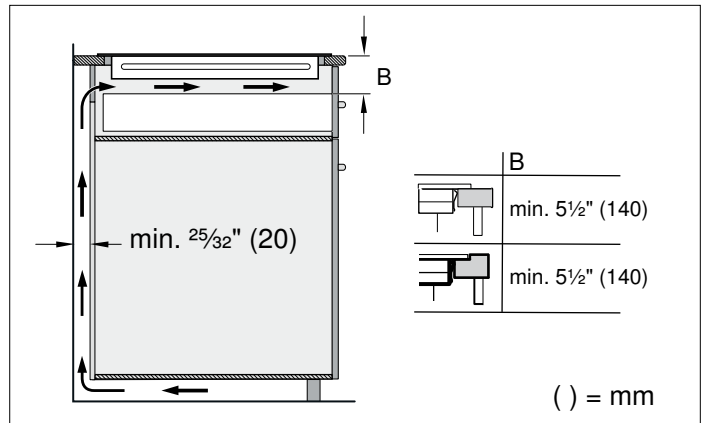
Note: Follow the installation instructions provided for the control knobs.

Ventilation

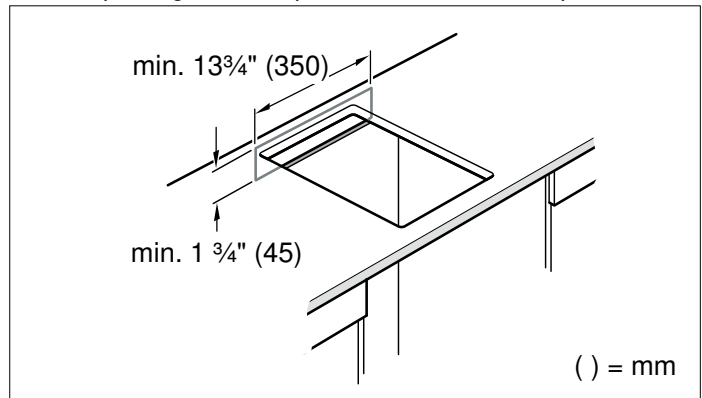
To guarantee that the appliance works correctly, the cooktop **MUST** be sufficiently ventilated.

Since the ventilation in the lower section of the appliance requires a sufficient supply of fresh air, the cabinet must be designed accordingly. The following is required for this:

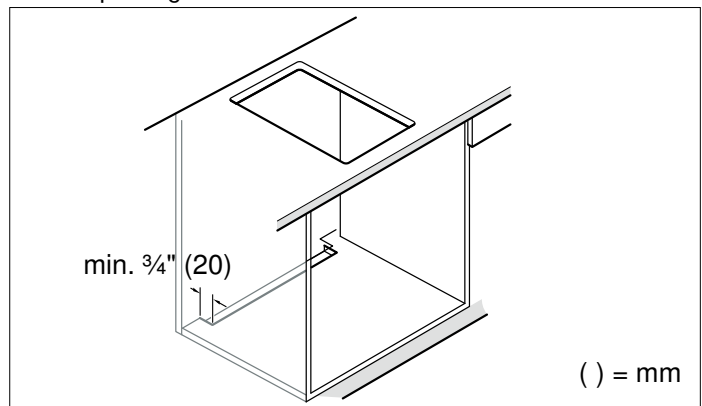
- A minimum clearance between the rear of the cupboard and the kitchen wall, and between the surface of the worktop and the upper area of the drawer.



- An opening at the top to the rear of the cupboard.



- If the minimum clearance of 2 5/32 inch (20 mm) is not provided at the rear of the cupboard, you must create an opening on the underside.



Note: If the appliance is installed in an island unit or another installation that is not described here, you must ensure that the cooktop is sufficiently ventilated.

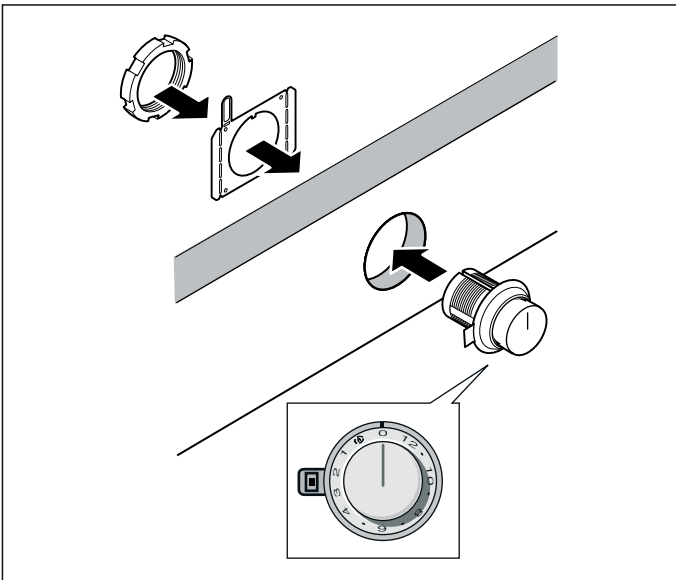
Installation Procedure

⚠ CAUTION

Sharp edges. Use protective gloves when installing the cooktop.

Note: The appliance is heavy. It is advisable to install it with a second person.

Mounting Control Knobs



Note: Follow the installation instructions provided for the control knobs.

- Depending on the distance between the control knobs, it may be necessary to break off the retaining plate at the perforation. Hold the retaining plate in place against the back of the control panel or the bottom of the countertop, or secure it with the enclosed screws.
- When installing a single control knob or when the retaining plate has been broken at the perforation, use 2 screws to hold each individual retaining plate in place to prevent it from rotating (C).

For stone countertops, use temperature-resistant two-component adhesive (for metal to stone) to adhere the retaining plate.

- Remove the protective film on the back of the illuminated ring (A).
- Insert the control knob into the drilled hole (B) and screw the nut on the back with the enclosed installation aid (D).

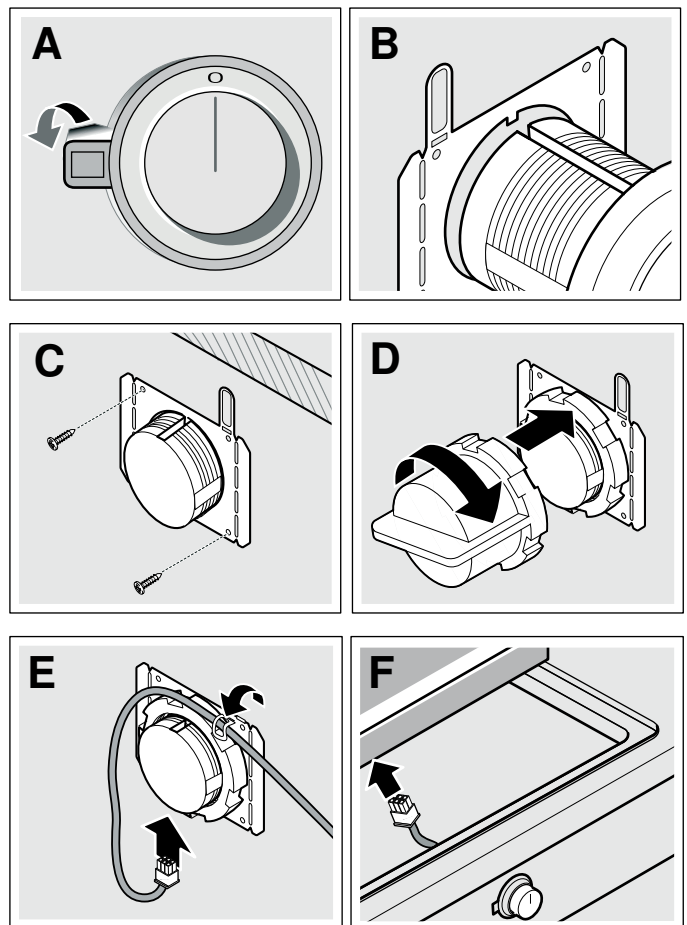
- Connect all of the control knobs with the enclosed shorter cables. The plugs must snap into the sockets (E).

Note: The two cable connectors on the control knob are identical.

- Connect the longer cable to the control cable for connection to the appliance. The plug must snap into the socket (F).

Note: The appliance can be connected to any control knob.

- After installing, check that all plug connections fit correctly.
- After installing all the cables, secure them to the retaining plate by bending the tab down (E).



Installing the heat shield

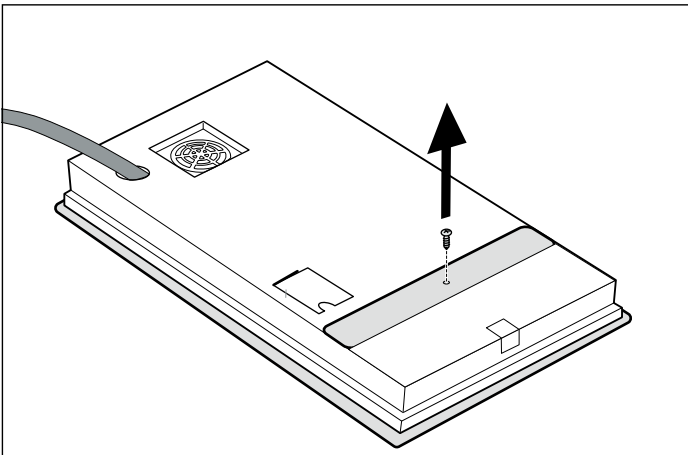
⚠ CAUTION

Sharp edges. Use protective gloves when installing the plate.

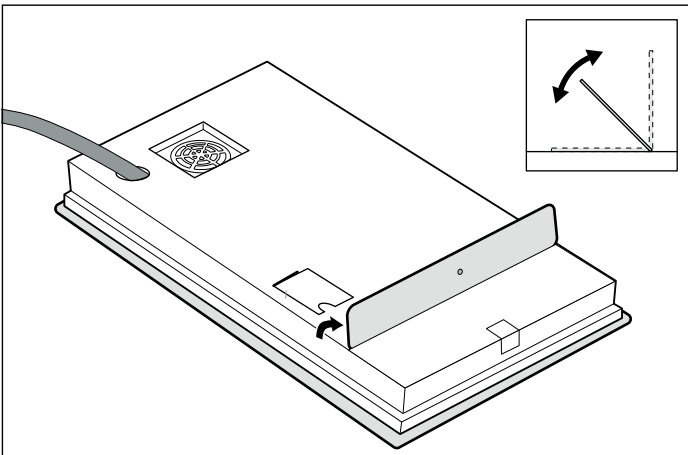
For safety reasons, the heat shield must be properly installed. This prevents components from overheating as a result of the recirculation of hot air from the cooktop.

The heat shield is the same width as the cooktop. For shipping, it is screwed to the burner box.

After unpacking the cooktop, unscrew the heat shield.



The heat shield will be able to rotate freely, as shown in the illustration.

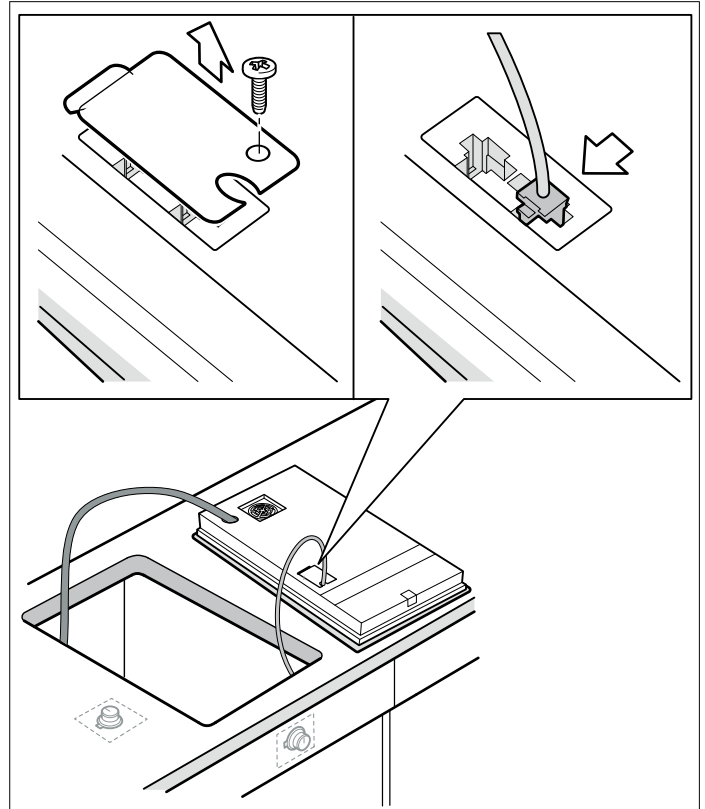


Install Appliance

⚠ WARNING

Before you plug in an electrical cord or turn on power supply, make sure all controls are in the OFF position.

1. Connect the connection cable to the control cable in the socket on the bottom of the appliance. The plug must snap into place.

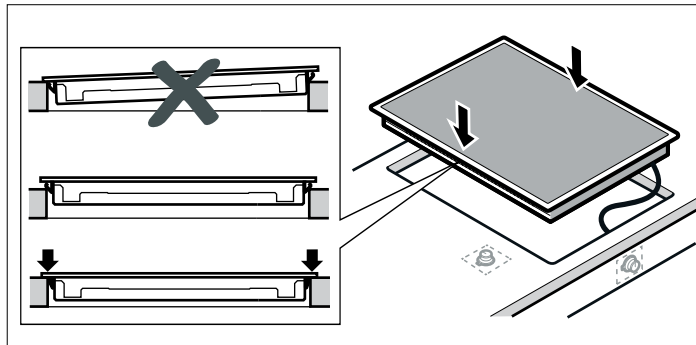


2. Evenly insert appliance into cut-out. Press appliance firmly into the cut-out.

The fixing clamps are already attached to the sides of the cooktop on delivery. By pressing the appliance firmly into the cut-out, the clamps will be wedged, holding the appliance securely in place.

⚠ CAUTION

Do not pinch or kink the connecting cable or route it over sharp edges. If the cooktop is installed over a built-under oven, route the cable on the rear corners of the oven to the power outlet. The cable must be installed such that it does not come into contact with any hot parts of the cooktop or oven.



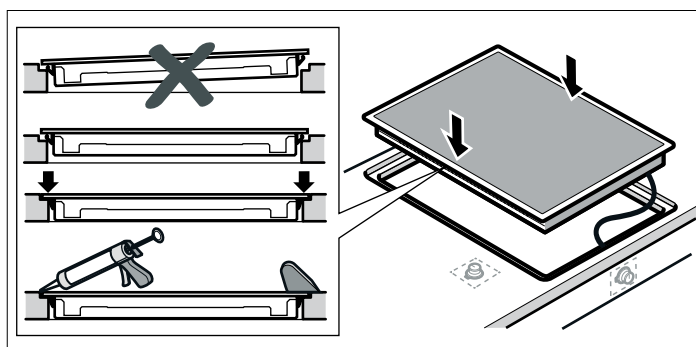
3. **Only for flush mount installation:**

Note: Make sure that everything is working correctly before grouting.

Grout the surrounding gap with a suitable temperature-resistant silicone adhesive. Smooth the joint seal with a smoothing agent recommended by the manufacturer. Heed the processing instructions for the silicone glue. Only start up the appliance after the silicone glue is completely dry (at least 24 hours, depending on the room temperature).

NOTICE

Unsuitable silicone adhesive causes permanent discoloration to natural stone countertops.



Connect Electrical Supply

Refer to data plate for more information. See "Service" for data plate location.

The maximum current rating of the branch-circuit breaker, the wire sizes and the connections must be conform to the requirements of the National Electrical Code or Canadian Electrical Code and all local codes and ordinances.

Attach flexible conduit to the junction box. Connect the lead wires to the junction box supply wires in proper phase:

- black (L1) to black
- red (L2) to red
- green or bare to ground

Check the Installation

⚠ WARNING

Before you plug in an electrical cord or turn on power supply, make sure all controls are in the OFF position.

Remove everything from the cooktop surface. Clean cooktop surface with cooktop cleaning creme.

Switch on the circuit breaker.

Verify that elements function properly.

Removing appliance

Disconnect the appliance from the power supply. For flush-mounted appliances, remove the silicone joint. Push out the appliance from below.

⚠ CAUTION

Damage to appliance! Don't lever device out from above at the frame.

Customer Service

If your appliance needs repairs, our customer service is there for you. We work hard to help solve problems quickly and without unnecessary service calls, getting your appliance back up and running correctly in the least amount of time possible.

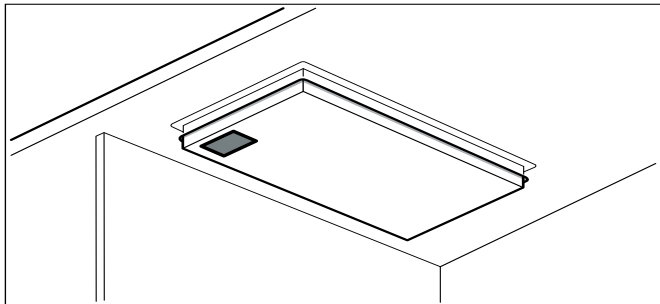
When you call, please indicate the product number (E-Nr.) and serial number (FD-Nr.) so that we can support you in a qualified manner. You will find the type plate with these numbers on the bottom of the appliance. To avoid having to search for a long time when you need it, you can enter your appliance data and the customer support telephone number here.

E-Nr.

FD-Nr.

Customer Service ☎

Please read the installation instructions and use and care instructions provided with your appliance. Failure to do so may result in an error in using the appliance. This could result in a service call that instead of fixing a mechanical issue is only needed for customer education. Such calls are not covered by the appliance warranty.




Please find the contact data of all countries in the enclosed customer service list.

To book a service visit and product advice

USA 877 442 4436
toll-free

CANADA 877 442 4436
toll-free

Table des matières

 Définitions de sécurité	13
CONSIGNES DE SÉCURITÉ IMPORTANTES	14
Codes et normes de sécurité	15
Sécurité électrique	15
Équipement de sécurité	16
Avertissement issu de la proposition 65	16
Avant de commencer	17
Outils et pièces nécessaires	17
Pièces comprises	17
Exigences pour les placards	17
Exigences pour le plan de travail	17
Préparation des meubles	18
Découper le plan de travail	18
Ventilation	19
Procédure d'installation	20
Monter les boutons de commande	20
Installation de l'écran pare-chaaleur	21
Pose de l'appareil	22
Brancher l'alimentation électrique	23
Vérification de l'installation	23
Dépose de l'appareil	23
Service après-vente	23

Vous trouverez des informations supplémentaires concernant les produits, accessoires, pièces de rechange et services sur Internet sous : www.gaggenau.com et la boutique en ligne : www.gaggenau.com/zz/store

Définitions de sécurité

AVERTISSEMENT

Ceci indique que le non-respect de cet avertissement peut entraîner des blessures graves, voire la mort.

ATTENTION

Ceci indique que le non-respect de cet avertissement peut entraîner des blessures légères ou de gravité moyenne.

AVIS

Ceci indique que la non-conformité à cet avis de sécurité peut entraîner des dégâts matériels ou endommager l'appareil.

Remarque : Ceci vous signale des informations et/ou indications importantes.

CONSIGNES DE SÉCURITÉ IMPORTANTES

LIRE ET CONSERVER CES INSTRUCTIONS

IMPORTANT : L'électroménager doit être installé par un installateur qualifié.

IMPORTANT : Conserver ces instructions pour l'usage de l'inspecteur électrique local.

INSTALLATEUR : Laissez ces instructions d'installation avec cet appareil à l'intention du propriétaire. Montrez au propriétaire l'emplacement du disjoncteur ou du fusible. Identifiez sa position pour pouvoir le retrouver facilement.

PROPRIÉTAIRE : Prière de conserver ces instructions pour référence ultérieure.

AVERTISSEMENT

Si l'information de ce guide n'est pas suivie exactement, il peut en résulter un incendie ou un choc électrique causant des dommages à la propriété, des blessures ou la mort.

AVERTISSEMENT

Ne réparez, remplacez, ni ne retirez aucune partie de l'appareil, excepté si les manuels recommandent de le faire. Une installation, un entretien ou une inspection incorrects peuvent occasionner des blessures ou des dommages matériels. Reportez-vous au présent manuel pour obtenir des indications. Toute autre intervention doit être effectuée par un technicien agréé.

Enlever le ruban adhésif et l'emballage avant d'utiliser l'appareil. Détruire l'emballage après avoir déballé l'appareil. Ne jamais laisser les enfants jouer avec les matériaux de conditionnement.



Certaines surfaces peuvent avoir des bords tranchants. Faire attention en étendant le bras derrière l'appareil ou en dessous.

Cet appareil est conçu pour une utilisation jusqu'à une altitude maximale de 13 100 pieds (4 000 m).

La garantie ne couvre pas une mauvaise installation.

CONSIGNES DE SÉCURITÉ IMPORTANTES

LIRE ET CONSERVER CES INSTRUCTIONS

AVERTISSEMENT

Porteurs d'implants électroniques !

Cet appareil peut contenir des aimants permanents qui pourraient affecter les implants électroniques comme les stimulateurs cardiaques ou les pompes à insuline. C'est pourquoi durant l'installation, les porteurs d'implants électroniques doivent demeurer à une distance d'au moins 10 cm (4 po) de l'appareil.

Codes et normes de sécurité

Cet appareil est conforme à une ou plusieurs des normes suivantes :

- **UL 858, norme pour la sécurité des cuisinières électriques domestiques**
- **UL 923, norme pour la sécurité des appareils de cuisson à micro-ondes**
- **UL 507, norme pour la sécurité des ventilateurs électriques**
- **ANSI Z21.1, norme nationale américaine pour les appareils de cuisson à gaz domestiques**
- **CAN/CSA-C22.2 No. 113, Ventilateurs et soufflantes**
- **CAN/CSA-C22.2 No. 61, Cuisinières pour usage ménager**
- **CAN/CSA-E60335-1**
- **CAN/CSA-E60335-2-6 Appareils électrodomestiques et analogues - Sécurité**

Il incombe au propriétaire et à l'installateur de déterminer si des

exigences additionnelles et/ou normes s'appliquent pour des installations spécifiques.

Sécurité électrique

S'il y a lieu, conformément au Code national de l'électricité (ou au Code canadien de l'électricité), cet appareil doit être installé sur un circuit de dérivation séparé.

Le disjoncteur doit avoir une séparation de contact de 3 mm. minimum pour tous les pôles.

S'assurer que l'appareil est installé et mis à la terre par un technicien qualifié.

L'installation, les connexions électriques et la mise à la terre doivent être conformes à tous les codes applicables.

Avant l'installation, mettre l'appareil hors service au panneau de service. Verrouiller le panneau d'entrée d'électricité pour éviter que le courant ne soit accidentellement rétabli.

AVERTISSEMENT

UNE MISE À LA TERRE INADÉQUATE PEUT ENTRAÎNER UN RISQUE D'ÉLECTROCUTION !



Consultez un électricien qualifié si vous ne comprenez pas parfaitement les instructions de mise à la terre ou si vous avez des doutes concernant une mise à la terre appropriée. **NE PAS UTILISER DE RALLONGE.**



CONSIGNES DE SÉCURITÉ IMPORTANTES

LIRE ET CONSERVER CES INSTRUCTIONS

Équipement de sécurité

Utilisez uniquement l'appareil électroménager s'il a été installé par un technicien qualifié conformément aux présentes instructions d'installation. Le fabricant ne peut pas être tenu responsable de tous dommages causés par une installation inadéquate.

Ne jamais modifier ni altérer la configuration de l'appareil. Par exemple, ne pas retirer les pieds de nivellement, les panneaux, les couvercles de câblage ou les fixations/vis antibasculement.

Pour éliminer le risque de brûlures ou d'incendie lorsque l'on allonge le bras au-dessus des éléments de surface chauds, éviter d'installer des placards au-dessus des éléments de surface. Si l'installation de placards est prévue, le risque peut être réduit en installant une hotte aspirante qui dépasse horizontalement d'au moins 5 po (127 mm) la base du placard.

Vérifiez que la profondeur des armoires situées au-dessus de la table de cuisson ne dépasse pas 13 po (330 mm).

La pose d'un appareil de réfrigération, d'un lave-vaisselle, d'un four non ventilé ou d'un lave-linge sous la table de cuisson n'est pas autorisée.

Remarque : Nous recommandons vivement l'installation d'un système de ventilation avec cet appareil ménager.

Avertissement issu de la proposition 65 :

Ce produit pourrait contenir un produit chimique reconnu par l'État de la Californie comme cancérigène ou ayant des effets nocifs sur la reproduction. Par conséquent, l'emballage de votre produit pourrait porter l'étiquette suivante, comme requis par la Californie :

AVERTISSEMENT ISSUE DE LA PROPOSITION 65 DE L'ÉTAT DE LA CALIFORNIE :



AVERTISSEMENT

Cancer et dommages à la reproduction

www.P65Warnings.ca.gov

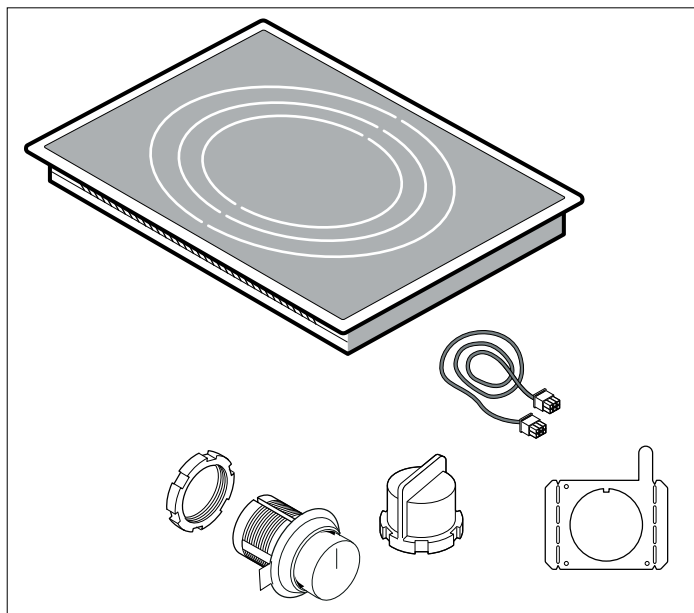
Avant de commencer

Outils et pièces nécessaires

- Tournevis à tête Philips
- Crayon
- Perceuse avec broche de 6 mm
- Scie sauteuse
- Mètre ruban

Remarque : Il faudra éventuellement avoir recours à d'autres matériaux pour l'installation sur des surfaces de travail solides. Prendre contact avec le fabricant de la surface de travail.

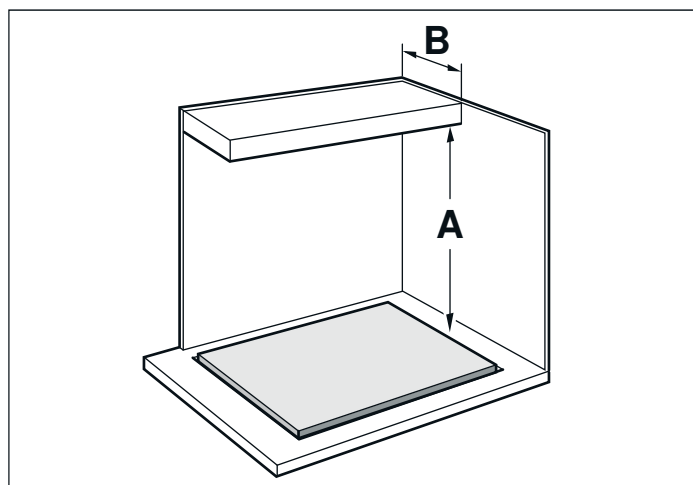
Pièces comprises



Exigences pour les placards

La distance du haut de la table de cuisson au bas des armoires au-dessus doit être au minimum de $A=30$ po (762 mm). Cette distance peut être réduite à $A=24$ po (610 mm) quand le bas de l'armoire en bois ou en métal est protégé par du carton enroulé ignifuge d'un minimum de $\frac{1}{4}$ po (6,35 mm), lequel est recouvert au minimum de tôle de calibre 28, d'acier inoxydable de 0,015 po (0,4 mm), d'aluminium de 0,024 po (0,6 mm) ou de cuivre de 0,020 po (0,5 mm).

Vérifiez que la profondeur des armoires au-dessus de la table de cuisson est au maximum de $B=13$ po (330 mm).



Exigences pour le plan de travail

⚠ AVERTISSEMENT

Pour réduire le risque d'inflammation des matériaux combustibles adjacents, l'installation doit laisser un dégagement d'au moins 2 po (51 mm) entre la table de cuisson et les murs latéraux et arrière.

Le plan de travail doit être horizontal et plan. Veiller à la stabilité du plan de travail, même après avoir creusé le trou.

Certains plans de travail à haute résistance requièrent souvent des aménagements spéciaux. Par exemple, une bande thermoréfléchissante et des coins arrondis peuvent être nécessaires. Contacter le fabricant du plan de travail pour obtenir des précisions.

Préparation des meubles

Réaliser la découpe pour l'appareil dans le plan de travail, selon le schéma de pose. L'angle du chant de coupe doit être de 90° par rapport au plan de travail.

Les bords de coupe latéraux doivent être plans afin de garantir le positionnement correct des ressorts de serrage sur l'appareil. Si le plan de travail est constitué d'un matériau multicouche, fixer le cas échéant des baguettes sur les côtés de la découpe.

Après les opérations de découpe, éliminer les copeaux. Sceller les chants de coupe avec un produit assurant leur résistance à la chaleur et l'humidité.

Respecter entre le dessous de l'appareil et les meubles voisins une distance minimale de $\frac{3}{8}$ " (10 mm).

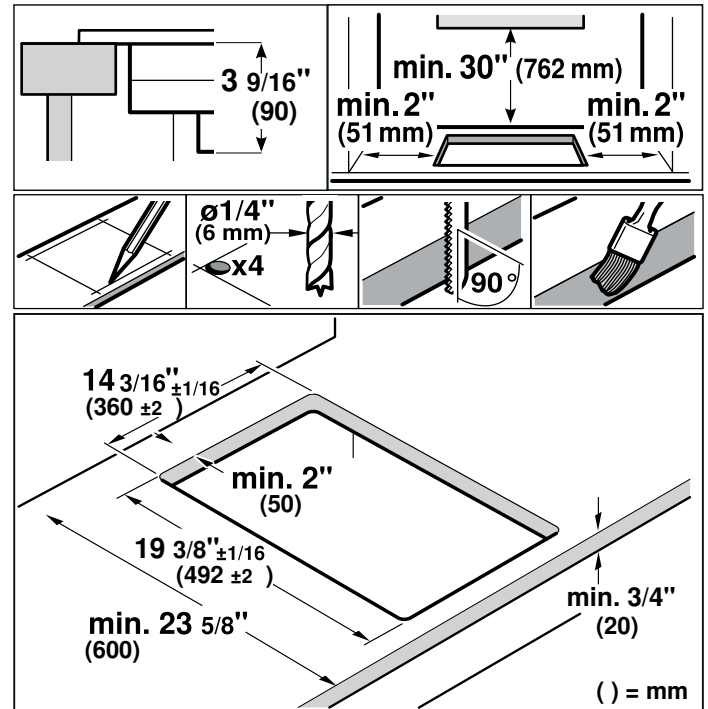
Le plan de travail qui accueillera la table de cuisson doit résister à des températures allant jusqu'à 90 °C (140 ° F).

Le plan de travail doit être renforcé si son épaisseur est de moins de 20 mm ($\frac{13}{16}$ po).

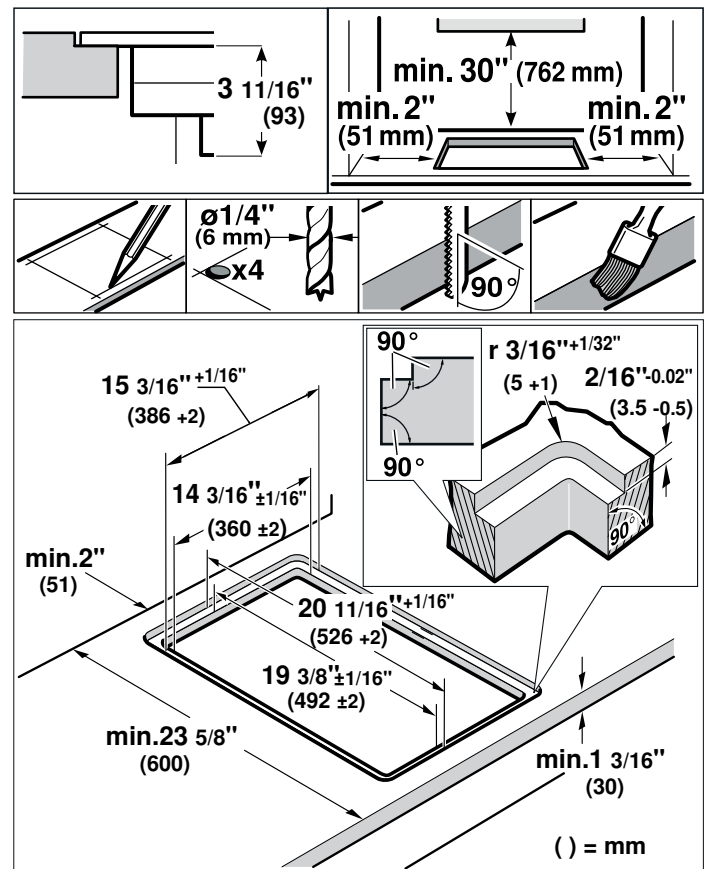
Si l'épaisseur du plan de travail qui accueillera la table de cuisson ne respecte pas les spécifications, renforcez-le à l'aide d'un matériau résistant à l'eau et au feu jusqu'à atteindre l'épaisseur minimale. Sinon, vous pourriez ne pas obtenir une stabilité adéquate.

- Le plan de travail qui accueillera la table de cuisson doit pouvoir résister à des charges d'environ 60 kg (133 lb).
- Vérifiez que la table de cuisson est de niveau uniquement après son installation.

Découper le plan de travail



Pose en affleurement: L'appareil peut être posé en affleurement dans un plan de travail.



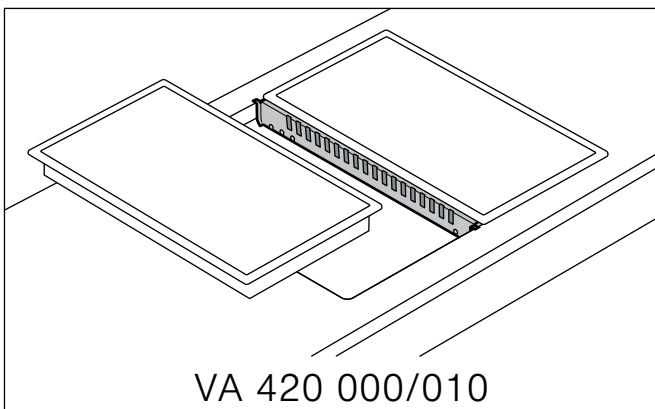
Pose en affleurement: L'appareil peut être encastré dans des plans de travail résistant à la chaleur et à l'eau, fabriqués dans les matériaux suivants :

- pierre
- matière plastique ou Corian®
- bois massif : seulement avec l'accord avec le fabricant du plan de travail (sceller les bords de coupe)
- La pose dans d'autres types de plan de travail : seulement avec l'accord avec le fabricant du plan de travail.

La pose dans de plan de travail de panneaux de particules n'est pas autorisée.

Remarque : Toutes les découpes du plan de travail doivent être faits dans un atelier spécialisé, conformément au schéma de pose. La découpe doit être nette et précise, car le bord de coupe est visible en surface. Nettoyer et dégraisser les bords de coupe avec un produit de nettoyage adéquat (respecter les instructions d'application du fabricant du silicone).

Association de plusieurs appareils Vario : Pour combiner plusieurs appareils Vario, il faut utiliser la barrette de jonction VA 420 000/010. Elle est disponible comme accessoire en option. Lors de la découpe, tenir compte de l'espace supplémentaire qui est nécessaire pour la barrette de jonction entre les appareils (voir la notice de montage VA 420 000/010).



Les appareils peuvent également être installés dans des découpes séparées, en respectant une distance minimale de 2" (51 mm).

Perçage pour le bouton de commande

Variante de montage possibles :

- Montage en face avant de l'élément bas
- Montage dans un plan de travail situé à côté de l'appareil
- Montage dans un plan de travail situé devant l'appareil

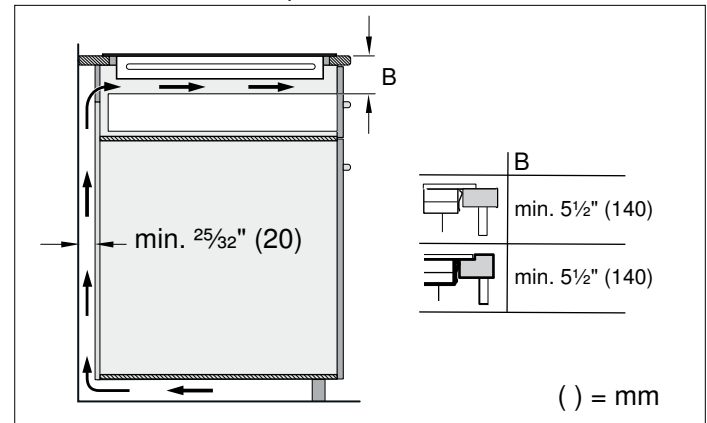
Remarque : Respectez les instructions de montage des boutons de commande.

Ventilation

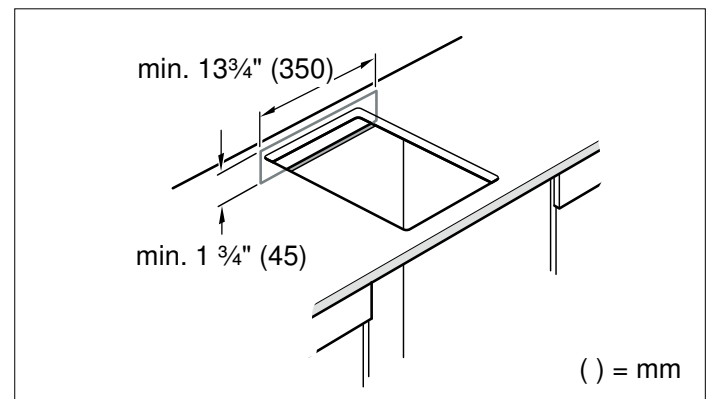
Pour assurer un fonctionnement adéquat de l'électroménager, la table de cuisson **DOIT** être suffisamment ventilée.

Puisque la ventilation dans la section inférieure de l'électroménager nécessite un débit d'air frais suffisant, l'armoire doit être conçue de façon appropriée. Pour y parvenir, veuillez respecter les exigences suivantes :

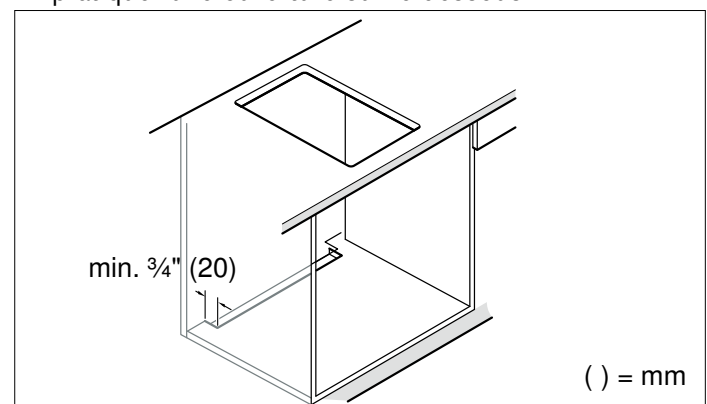
- Un dégagement minimal entre l'arrière de l'armoire et le mur de la cuisine, et entre la surface du plan de travail et la zone supérieure du tiroir.



- Une ouverture sur le dessus à l'arrière de l'armoire.



- Si le dégagement minimal de 25/32 po (20 mm) n'est pas présent à l'arrière de l'armoire, vous devez pratiquer une ouverture sur le dessus.



Remarque : Si l'électroménager est installé dans un îlot ou un autre type d'installation qui n'est pas décrit dans le présent document, vous devez vous assurer que la table de cuisson est dotée d'une ventilation suffisante.

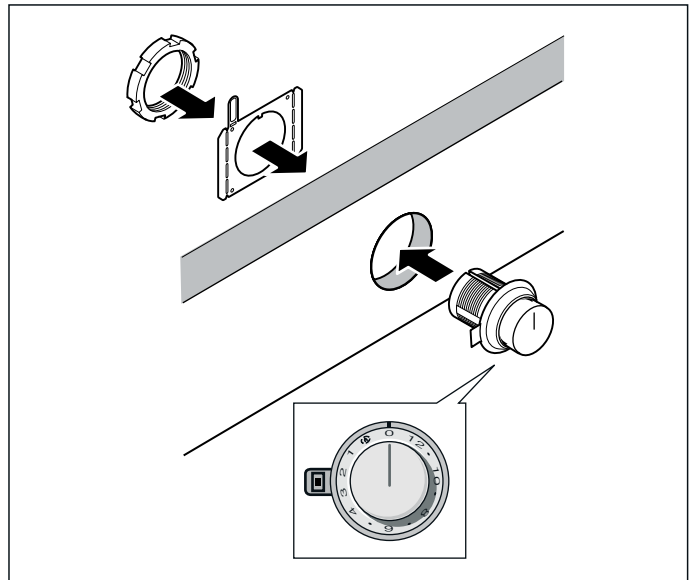
Procédure d'installation

ATTENTION

Bords coupants. Mettre des gants de protection pendant l'installation de la table de cuisson.

Remarque : L'appareil est lourd. Pour l'insérer dans la découpe, faite-vous aider par une autre personne.

Monter les boutons de commande



Remarque : Respectez les instructions de montage des boutons de commande.

1. En fonction de la distance entre les boutons de commande, raccourcissez la tôle de maintien en la brisant au niveau de la perforation si nécessaire. Maintenez la tôle de maintien à l'arrière du bandeau de commande et sous le dessous du plan de travail ou fixez-la avec les vis fournies.
2. Lors du montage d'un bouton de commande individuel ou lorsque la tôle de maintien a été brisée au niveau de la perforation, chaque tôle de maintien a été sécurisée contre toute torsion avec 2 vis (C).
En cas de plan de travail en pierre, collez la tôle de maintien avec une colle à deux composants (métal sur pierre).
3. Retirez le film protecteur à l'arrière de l'anneau lumineux (A).
4. Insérez le bouton de commande dans le perçage (B) et vissez à l'arrière l'écrou à l'aide de la notice d'installation fournie (D).

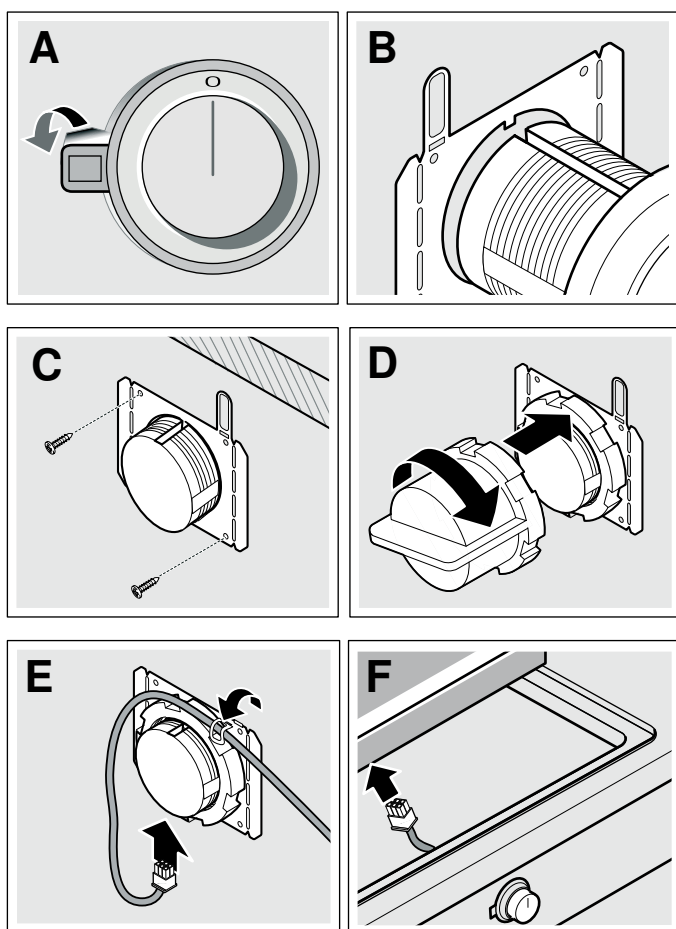
5. Connectez tous les boutons de commande avec les câbles raccourcis fournis. Les fiches doivent s'enclencher dans les orifices (E).

Remarque : Les deux douilles de câble du bouton de commande sont identiques.

6. Enfichez le câble plus long pour la connexion à l'appareil à l'un des boutons de commande. La fiche doit s'enclencher dans l'orifice (F).

Remarque : L'appareil peut être connecté à n'importe quel bouton de commande.

7. Après l'installation, vérifiez si tous les connecteurs sont bien enfichés.
8. Après l'installation, fixez tous les câbles en repliant la patte sur la tôle de maintien (E).



Installation de l'écran pare-chaueur

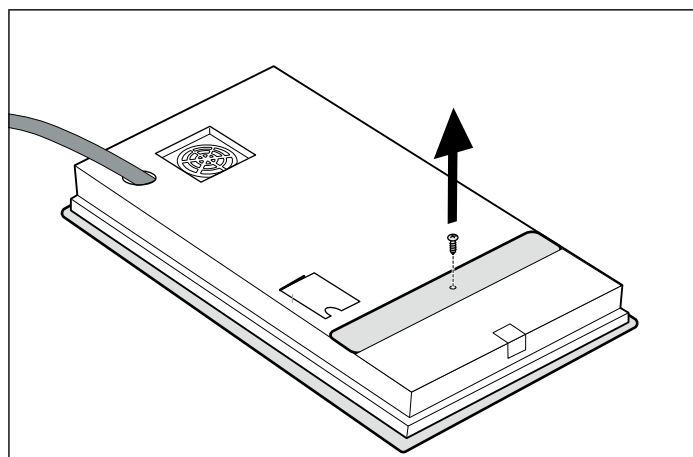
⚠ ATTENTION

Bords coupants. Utiliser des gants de protection pour installer la table.

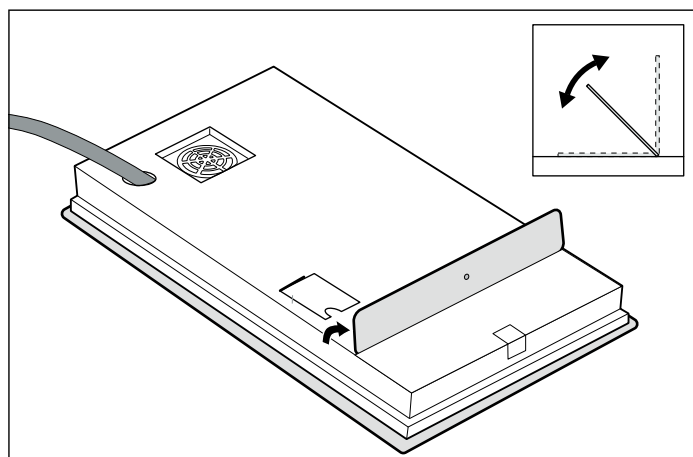
Pour des raisons de sécurité, il faut installer correctement l'écran pare-chaueur. Cet écran évite la surchauffe de composants par remise en recirculation de l'air chaud de la table de cuisson.

L'écran pare-chaueur a la même largeur que la table de cuisson. Pour le transport, il est vissé au boîtier du brûleur.

Après avoir déballé la table de cuisson, dévisser l'écran pare-chaueur.



L'écran pare-chaueur pourra tourner librement comme le montre la figure.

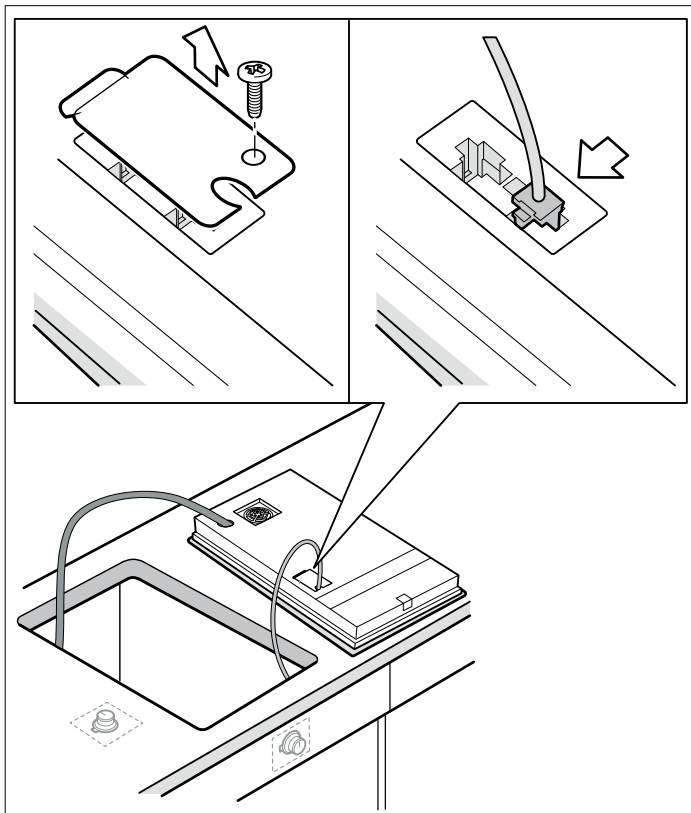


Pose de l'appareil

⚠ AVERTISSEMENT

Avant tout raccordement de cordon électrique ou toute mise sous tension, assurez-vous que toutes les commandes sont en position OFF (d'arrêt).

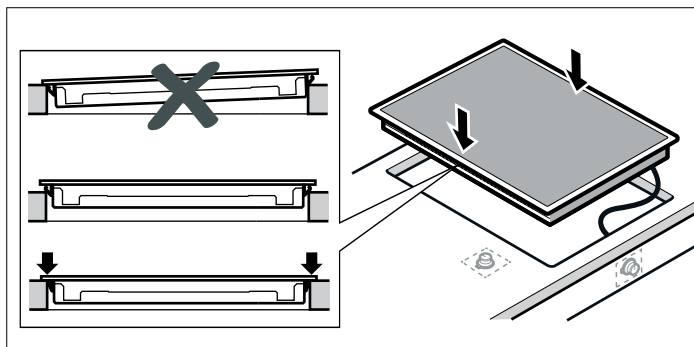
1. Enfichez le câble de raccordement pour le bouton de commande dans l'orifice situé sous l'appareil. Le connecteur doit s'encliquer.



2. Insérer uniformément l'appareil dans le logement. Presser fermement l'appareil dans le logement. Les pinces de fixation sont déjà fixées aux côtés de la surface de cuisson à la livraison. En enfonçant fermement l'appareil dans le logement, les pinces sont bloquées et maintiennent l'appareil en place en toute sécurité.

⚠ ATTENTION

Ne pincez pas ou ne pliez pas le câble de raccordement et ne le faites pas passer sur des bords tranchants. Si la surface de cuisson est installée au-dessus d'un four encastré, acheminer le câble aux coins arrière du four vers la prise de courant. Le câble doit être installé de façon à ce qu'il n'entre en contact avec aucune partie chaude de la surface de cuisson ou du four.



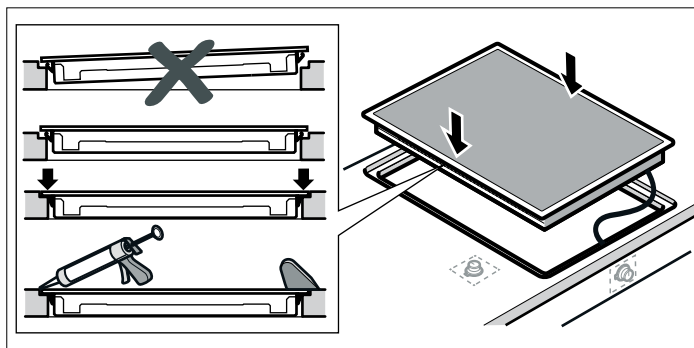
3. Uniquement en cas d'encastrement affleurant :

Remarque : Avant de poser les joints, effectuez impérativement un test fonctionnel !

Comblez l'interstice périphérique à l'aide d'une colle au silicone résistante à la température. Lissez le joint à l'aide d'un agent lissant recommandé par le fabricant. Respectez les directives du fabricant de la colle au silicone. Mettez l'appareil en service uniquement lorsque la colle au silicone est entièrement sèche (au moins 24 heures, selon la température ambiante).

AVIS

L'utilisation d'une colle au silicone non adaptée peut entraîner une décoloration indélébile des plans de travail en pierre naturelle.



Brancher l'alimentation électrique

Consulter la plaque signalétique pour en savoir plus.
Pour savoir où se trouve la plaque signalétique, se reporter à la rubrique "Service après-vente".

Le courant admissible des disjoncteurs divisionnaires, la taille des câbles et les connexions doivent être conformes aux exigences du Code électrique national ou du Code électrique canadien ainsi qu'à tous les codes et règlements locaux.

Brancher le conduit souple à la boîte de jonction.
Brancher les fils de sortie aux fils d'alimentation de la boîte de jonction en respectant les phases :

- noir (L1) avec noir
- rouge (L2) avec rouge
- vert ou dénudé avec la terre

Vérification de l'installation

⚠ AVERTISSEMENT

Avant tout raccordement de cordon électrique ou toute mise sous tension, assurez-vous que toutes les commandes sont en position OFF (d'arrêt).

Tout enlever de la surface de la table de cuisson.
Nettoyer la surface de la table de cuisson à l'aide d'une crème de nettoyage pour table de cuisson.

Mettre le disjoncteur en circuit.

Vérifier que les éléments fonctionnent correctement.

Dépose de l'appareil

Mettre l'appareil hors tension. Si les appareils sont posés en affleurement, enlever le joint en silicone. Faire sortir l'appareil en le soulevant par-dessus.

⚠ ATTENTION

Risque de détérioration ! Ne pas extraire l'appareil par le haut en faisant levier sur le cadre.

Service après-vente

Si votre appareil doit être réparé, notre service après-vente est à votre disposition. Nous trouvons toujours une solution adaptée, y compris pour éviter les visites inutiles de techniciens.

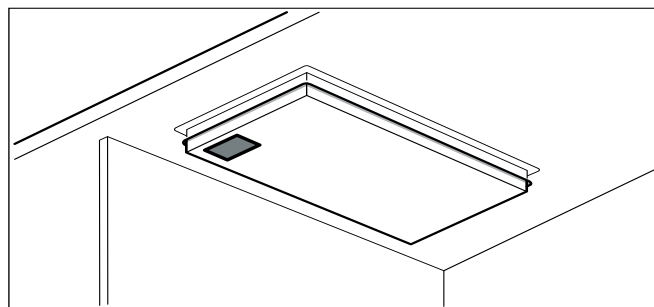
Lors de votre appel, indiquez le numéro du produit (n° E) et le numéro de série (n° FD) afin que nous puissions vous donner une réponse précise. La plaquette d'identification comportant ces numéros se trouve sur le dessous de l'appareil. Pour ne pas avoir à chercher longtemps en cas de besoin, vous pouvez inscrire ici les références de l'appareil et le numéro de téléphone du service après-vente.

N° E

N° FD

Service après-vente ☎

N'oubliez pas qu'en cas de fausse manœuvre, la visite d'un technicien d'après-vente n'est pas gratuite, même pendant la garantie.



Vous trouverez les données de contact pour tous les pays dans l'annuaire ci-joint du service après-vente.

Demande de réparation et conseils en cas de dysfonctionnement

CA 877 442 4436
toll-free

Índice

▲ Definiciones de seguridad	24
INSTRUCCIONES DE SEGURIDAD IMPORTANTES	25
Códigos y normas de seguridad	26
Seguridad eléctrica	26
Seguridad del equipo relacionado	27
Advertencia en virtud de la Proposición 65	27
Antes de empezar	28
Herramientas y piezas necesarias	28
Piezas incluidas	28
Requisitos de gabinetes	28
Requisitos de la superficie de trabajo	28
Preparación de los muebles de montaje	29
Recortar la encimera	29
Ventilación	30
Procedimiento de instalación	31
Colocar las perillas de control	31
Instalación del protector térmico	32
Montaje del aparato	33
Conexión de la alimentación eléctrica	34
Pruebe la instalación	34
Desmontaje del aparato	34
Servicio de atención al cliente	34

Encontrará más información sobre productos, accesorios, piezas de repuesto y servicios en internet: www.gaggenau.com y también en la tienda online: www.gaggenau.com/zz/store

▲ Definiciones de seguridad

▲ ADVERTENCIA

Esto indica que pueden producirse heridas graves o incluso la muerte si no se cumple con esta advertencia.

▲ ATENCION

Esto indica que pueden producirse heridas leves o moderadas si no se cumple con esta advertencia.

AVISO

Esto indica que pueden producirse daños en el aparato o en los bienes si no se cumple con este aviso.

Nota: Esto alerta sobre información o sugerencias importantes.



INSTRUCCIONES DE SEGURIDAD IMPORTANTES

LEA Y CONSERVE ESTAS INSTRUCCIONES

IMPORTANTE: el montaje del electrodoméstico debe realizarlo un instalador calificado.

IMPORTANTE: conserve estas instrucciones para uso del inspector de electricidad local.

INSTALADOR: dejar estas instrucciones con esta unidad para el propietario. Mostrar al propietario la ubicación del breaker o del fusible. Marcarla para recordar más fácilmente.

PROPIETARIO: Conservar estas instrucciones para referencia futura.



ADVERTENCIA

Si no sigue la información de este manual exactamente, se puede ocasionar un incendio o una descarga eléctrica que puede causar daños materiales o lesiones personales.



ADVERTENCIA

No reparar, sustituir ni quitar ninguna pieza del electrodoméstico a menos que se recomiende de forma específica en los manuales. Una instalación, servicio o mantenimiento inadecuados pueden causar lesiones o daños materiales. Consultar este manual para recibir ayuda. Todos los demás servicios debe realizarlos un agente autorizado.

Retire toda la cinta y el embalaje antes de usar el electrodoméstico. Destruya el embalaje después de desembalar el electrodoméstico. Nunca deje que los niños jueguen con el material de embalaje.



Las superficies ocultas pueden tener bordes filosos. Proceda con cuidado al intentar tomar el electrodoméstico por la parte trasera o desde abajo.

Este aparato está previsto para ser utilizado a una altura máxima de 13,100 pies (4,000 metros) sobre el nivel del mar.

La garantía no cubre una instalación incorrecta.



INSTRUCCIONES DE SEGURIDAD IMPORTANTES

LEA Y CONSERVE ESTAS INSTRUCCIONES



ADVERTENCIA

¡Portadores de implantes electrónicos!
El electrodoméstico puede contener imanes permanentes que podrían afectar a los implantes electrónicos, p. ej. marcapasos cardiacos o bombas de insulina. Por ello, durante la instalación, los portadores de implantes electrónicos deben mantenerse a una distancia mínima de 4 pulgadas (10 cm) del electrodoméstico .

Códigos y normas de seguridad

Este electrodoméstico cumple con una o más de las siguientes normas:

- **UL 858, Norma de seguridad para estufas eléctricas de uso doméstico (Standard for the Safety of Household Electric Ranges)**
- **UL 923, Norma de seguridad para electrodomésticos de cocción por microondas (Standard for the Safety of Microwave Cooking Appliances)**
- **UL 507, Norma de seguridad para ventiladores eléctricos (Standard for the Safety of Electric Fans)**
- **ANSI Z21.1, Norma nacional estadounidense para electrodomésticos de gas para cocinar de uso doméstico (American National Standard for Household Cooking Gas Appliances)**
- **CAN/CSA-C22.2 N.º 113, Ventiladores (Fans and Ventilators)**
- **CAN/CSA-C22.2 N.º 61, Estufas de uso doméstico (Household Cooking Ranges)**

- **CAN/CSA-E60335-1**
- **CAN/CSA-E60335-2-6 Seguridad de los aparatos electrodomésticos y análogos (Household and similar electrical appliances - Safety)**

Es responsabilidad del propietario y del instalador determinar si se aplican otros requisitos y/o normas en instalaciones específicas.

Seguridad eléctrica

Si el Código Nacional Eléctrico (o el Código Eléctrico Canadiense) así lo requiere, este electrodoméstico debe instalarse en un circuito derivado por separado.

El disyuntor debe tener una separación de contacto de, al menos, 3 mm en todos los polos.

Asegúrese de que el electrodoméstico sea correctamente instalado y conectado a tierra por un técnico calificado. La instalación, las conexiones eléctricas y la conexión a tierra deben cumplir con todos los códigos correspondientes.

Antes de realizar la instalación, apague la alimentación eléctrica en el panel de servicio. Trabe el panel de servicio para impedir que se encienda accidentalmente la alimentación eléctrica.



INSTRUCCIONES DE SEGURIDAD IMPORTANTES

LEA Y CONSERVE ESTAS INSTRUCCIONES



ADVERTENCIA

¡LA CONEXIÓN INCORRECTA A TIERRA PUEDE CAUSAR UNA DESCARGA ELÉCTRICA!



Consulte a un electricista calificado si no comprende la totalidad de las instrucciones de conexión a tierra o si tiene alguna duda respecto de si el aparato está correctamente conectado a tierra. **NO USAR UN CABLE DE EXTENSIÓN.**

Verifique que los gabinetes que se encuentran sobre la placa tengan 13 pulg. (330 mm) de profundidad como máximo.

Debajo de la placa de cocción no se pueden montar neveras, lavavajillas, hornos si ventilación ni lavadoras.

Nota: Recomendamos categóricamente la instalación de un sistema de ventilación con este electrodoméstico.

Seguridad del equipo relacionado

El electrodoméstico solamente deberá usarse si lo ha instalado un técnico calificado, de acuerdo con estas instrucciones de instalación. El fabricante no es responsable de ningún daño causado por una instalación incorrecta.

Nunca modifique ni altere la construcción del electrodoméstico. Por ejemplo, no retire las patas niveladoras, paneles, cubiertas para cables ni soportes/tornillos antivuelco.

Para eliminar el riesgo de quemaduras o incendio al tocar unidades de la superficie calentadas, se debe evitar dejar espacio de almacenamiento en gabinetes sobre las unidades de la superficie. En el caso de que haya almacenamiento en gabinetes, se puede reducir el riesgo instalando una campana que se proyecte horizontalmente 5 pulgadas (127 mm) como mínimo de la parte inferior del gabinete.

Advertencia en virtud de la Proposición 65:

Este producto puede contener un químico que el Estado de California reconoce como potencialmente cancerígeno o causante de daños reproductivos. Por tanto, su producto debe llevar en su embalaje la siguiente etiqueta de conformidad con la legislación de California:

ADVERTENCIA EN VIRTUD DE LA PROPOSICIÓN 65 DEL ESTADO DE CALIFORNIA:

 **ADVERTENCIA**

Cáncer y daño reproductivo - www.P65Warnings.ca.gov

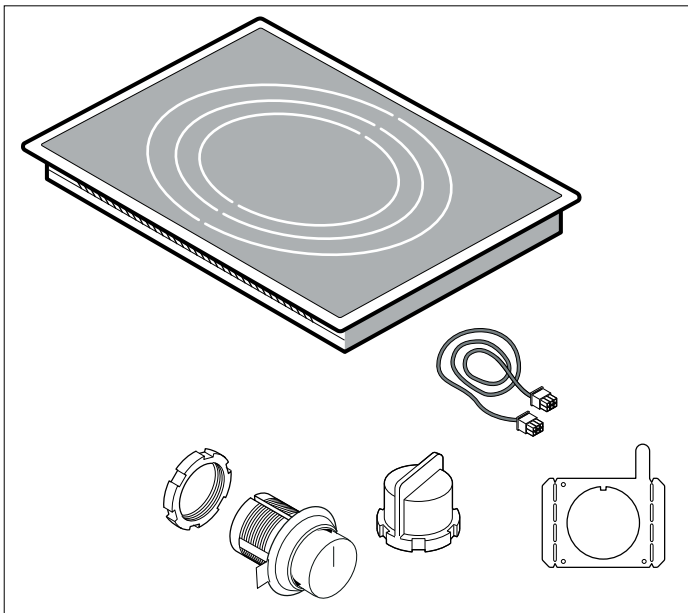
Antes de empezar

Herramientas y piezas necesarias

- Destornadillor con cabeza Philips
- Lápiz
- Taladro con broca de 1/4" (6 mm)
- Sierra caladora
- Cinta métrica

Nota: Es posible que se necesiten otros materiales para la instalación en superficies de trabajo sólidas. Comuníquese con el fabricante de la superficie de trabajo.

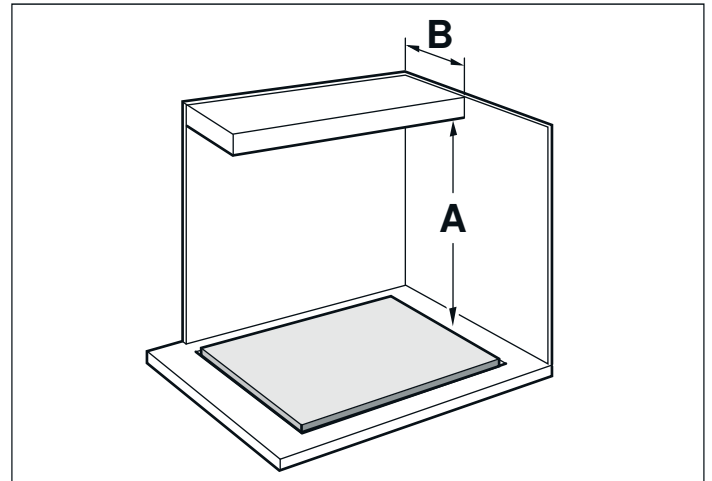
Piezas incluidas



Requisitos de gabinetes

La distancia desde la parte superior de la placa hasta la parte inferior de los gabinetes que se encuentran arriba debe ser, como mínimo, de A = 30 in (762 mm). Puede reducirse esta distancia a A = 24 in (610 mm) si la parte inferior del gabinete de madera o de metal está protegida con cartón ignífugo de, como mínimo, 1/4 in (6.35 mm) cubierto con una placa metálica de, al menos, calibre 28, acero inoxidable de 0.015 in (0.4 mm), aluminio de 0.024 in (0.6 mm) o cobre de 0.020 in (0.5 mm).

Verifique que los gabinetes que se encuentran arriba de la placa tengan, como máximo, 13 in (330 mm) de profundidad.



Requisitos de la superficie de trabajo

⚠ ADVERTENCIA

Para reducir el riesgo de ignición de materiales combustibles circundantes, instale la superficie de trabajo con una distancia de, al menos, 2" (51 mm) de ambas paredes laterales y de la pared posterior.

La superficie de trabajo debe ser horizontal y estar nivelada. La estabilidad de la superficie de trabajo debe estar garantizada incluso después de haber realizado el hueco.

Por norma general, las encimeras de superficie sólida requieren instalaciones especiales. Por ejemplo, es posible que se deba utilizar cinta ignífuga y esquinas redondeadas. Póngase en contacto con el fabricante de su encimera para obtener instrucciones sobre la misma.

Preparación de los muebles de montaje

Realice el recorte para el aparato en la encimera según el croquis de montaje. El ángulo de la superficie de corte respecto a la encimera deberá ser de 90°.

Los bordes de recorte laterales deben ser planos para garantizar que los muelles de retención se asienten correctamente en el aparato. En las encimeras de varias capas, fije regletas laterales en el recorte según sea necesario.

Elimine la viruta después de los trabajos de recorte. Selle las superficies de corte que sean resistentes al calor y la humedad.

Respete una distancia mínima de $\frac{3}{8}$ " (10 mm) entre la parte inferior del aparato y los muebles.

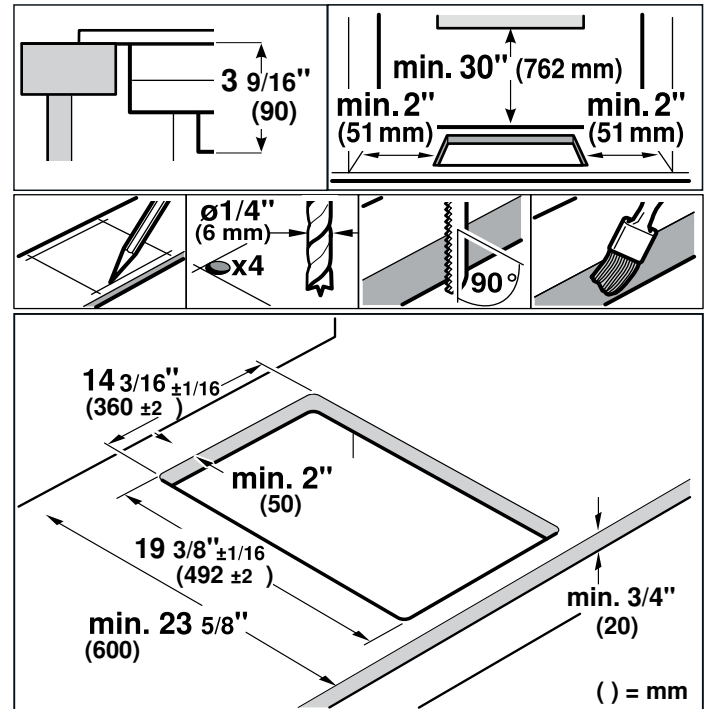
La cubierta en la que está instalada la placa de cocción debe ser resistente al calor y debe soportar temperaturas de hasta 140° F (90 °C).

La cubierta debe estar reforzada si tiene menos de $\frac{13}{16}$ de pulgada (20 mm) de espesor.

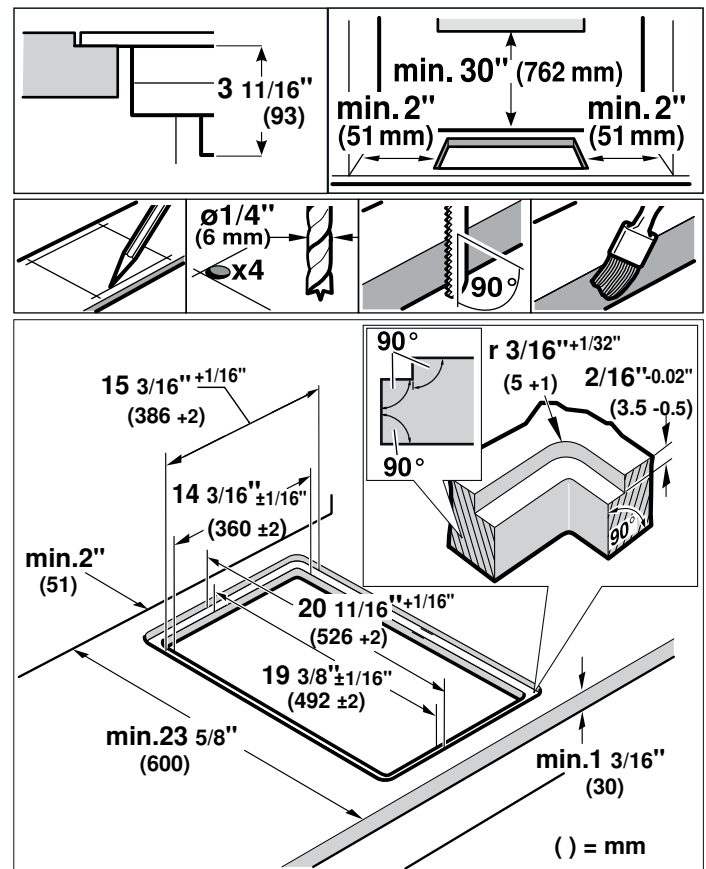
Si el espesor de la cubierta en la que está instalada la placa de cocción no cumple con las especificaciones, se debe reforzar utilizando un material resistente al fuego y al agua hasta que alcance el espesor mínimo. De lo contrario, no se puede garantizar la suficiente estabilidad.

- La cubierta en la que está instalada la placa de cocción debe resistir cargas de aproximadamente 133 libras (60 kg).
- Revisar la uniformidad de la placa de cocción solamente después de que haya sido instalada.

Recortar la encimera



Montaje a ras de superficie: se puede realizar un montaje a ras de superficie de la encimera.



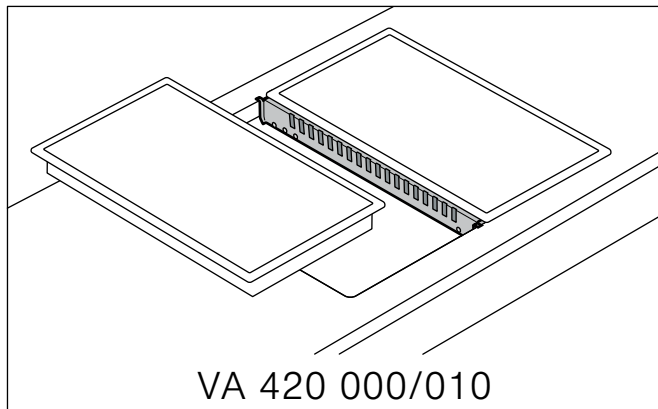
Montaje a ras de superficie: El aparato se puede montar en las siguientes encimeras resistentes a la temperatura y al agua:

- Encimeras de mármol
- Encimeras de plástico o Corian®
- Encimeras de madera maciza: Solo de acuerdo con el fabricante de la encimera (sellado de los bordes de recorte)
- Montaje en otro tipo de encimeras: solo de acuerdo con el fabricante de la encimera

No se puede realizar el montaje en encimeras de madera aglomerada.

Nota: Todos los trabajos de recorte de la encimera deben ser realizados por un servicio especializado de acuerdo con el croquis de montaje. El recorte debe ser limpio y preciso, puesto que el borde cortado se ve en la superficie. Limpie y desengrase los bordes de recorte utilizando un producto de limpieza adecuado (consulte las indicaciones del fabricante de la silicona).

Combinar varios aparatos Vario: Para combinar varios aparatos Vario se requiere la barra de conexión VA 420 000/010. Esta está disponible por separado como accesorio especial. Considerar la necesidad adicional de espacio para la barra de conexión entre los aparatos al elaborar el corte (ver las Instrucciones de instalación VA 420 000/010).



Los aparatos también se pueden montar en recortes independientes respetando las distancias mínimas de 2" (51 mm) entre aparatos.

Hueco para la perilla de control

Posibles variantes de instalación:

- Colocación en la parte delantera del mueble inferior
- Colocación en cubierta junto al electrodoméstico
- Colocación en cubierta delante del electrodoméstico

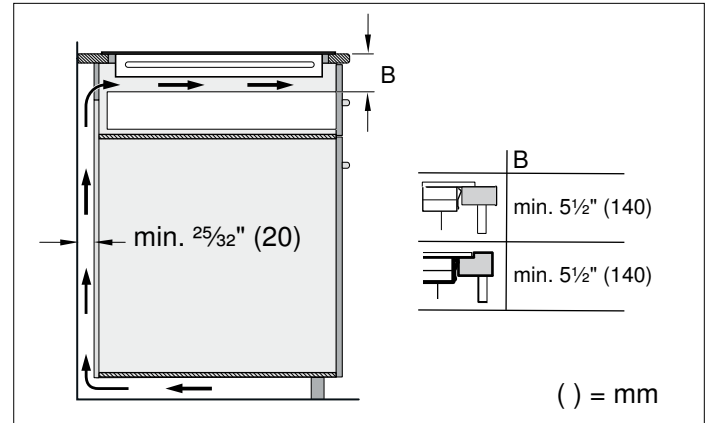
Nota: Poner atención a las instrucciones de ensamblaje de las perillas de control adjuntas.

Ventilación

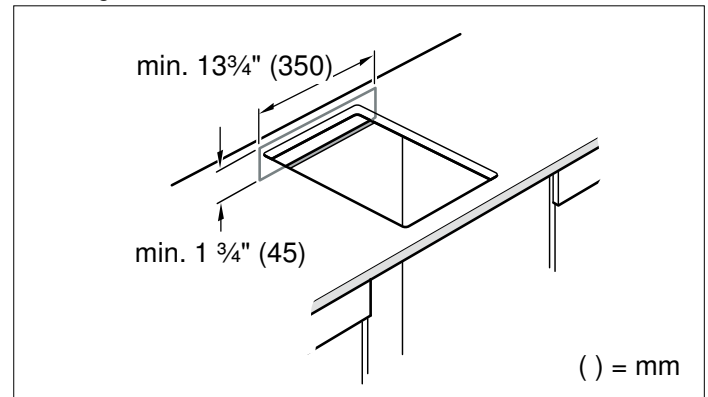
Para garantizar que el aparato funciona correctamente, la placa de cocción **DEBE** estar lo suficientemente ventilada.

Dado que la ventilación en la sección inferior del aparato electrodoméstico requiere suficiente suministro de aire fresco, el gabinete debe estar diseñado apropiadamente. Para ello, se requiere lo siguiente:

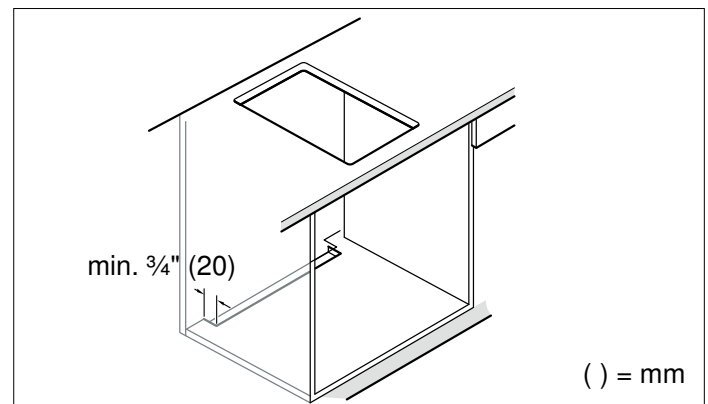
- Un espacio mínimo entre la parte trasera del gabinete y la pared de la cocina, y entre la superficie de la cubierta y el área superior del cajón.



- Una abertura en la parte superior a la parte trasera del gabinete.



- Si no se proporciona un espacio mínimo de 25/32 pulgadas (20 mm) en la parte trasera del gabinete, entonces se deberá crear una abertura en la parte inferior.



Nota: Si el aparato se instala en una unidad de isla o en otro montaje no descrito aquí, hay que asegurarse de que la cubierta de cocción esté suficientemente ventilada.

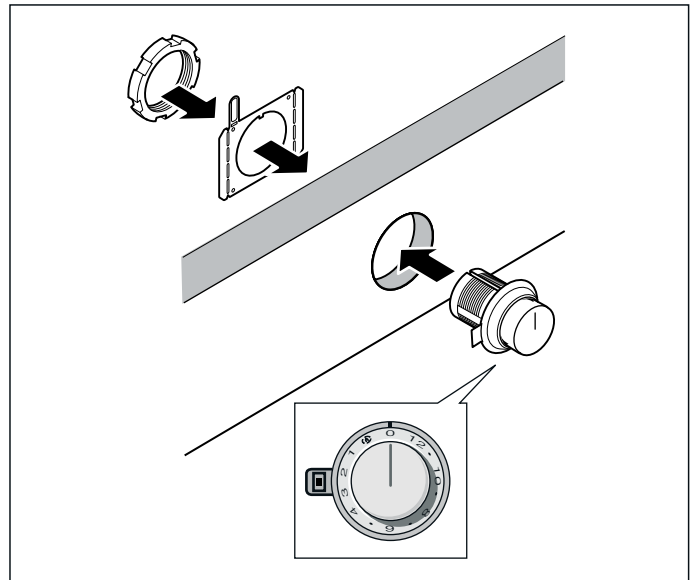
Procedimiento de instalación

⚠ ATENCION

Bordes afilados. Use guantes de protección al instalar la placa.

Nota: El aparato pesa demasiado. Se aconseja dos personas para insertarlo.

Colocar las perillas de control



Nota: Poner atención a las instrucciones de ensamblaje de las perillas de control adjuntas.

1. Dependiendo de la distancia entre las perillas de control, en caso de ser necesario, recortar la placa de sujeción por la perforación. Sujetar la placa de sujeción en la parte posterior del panel de control o en la parte inferior de la cubierta o fijarla con los tornillos adjuntos.
2. Al colocar una única perilla de control o cuando la placa de sujeción se ha recortado por la perforación, asegurar cada una de las placas de sujeción con 2 tornillos para evitar que se muevan **(C)**.
Si la cubierta es de piedra, pegar la placa de sujeción con pegamento de dos componentes (metal sobre piedra) resistente al calor.
3. Retirar la película protectora de la parte trasera del anillo luminoso **(A)**.
4. Introducir la perilla de control en el orificio **(B)** y atornillar en la parte posterior la tuerca con la ayuda para la instalación adjunta **(D)**.

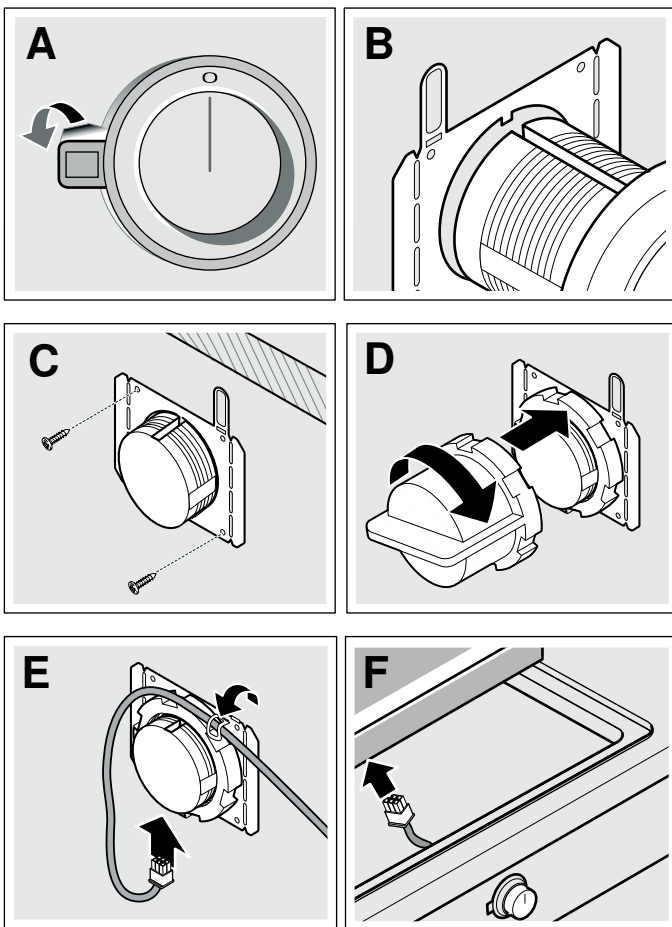
5. Conectar todas las perillas de control con los cables cortos adjuntos. Los conectores tienen que encajar en las tomas (E).

Nota: Los dos receptáculos del cable de la perilla de control son idénticos.

6. Introducir en una de las perillas de control el cable más largo para la conexión con el electrodoméstico. El conector tiene que encajar en la toma (F).

Nota: El electrodoméstico puede conectarse con cualquier perilla de control.

7. Después de la instalación, comprobar que todas las conexiones estén bien asentadas.
8. Una vez realizado el montaje, fijar todos los cables doblando la lengüeta en la placa de sujeción (E).



Instalación del protector térmico

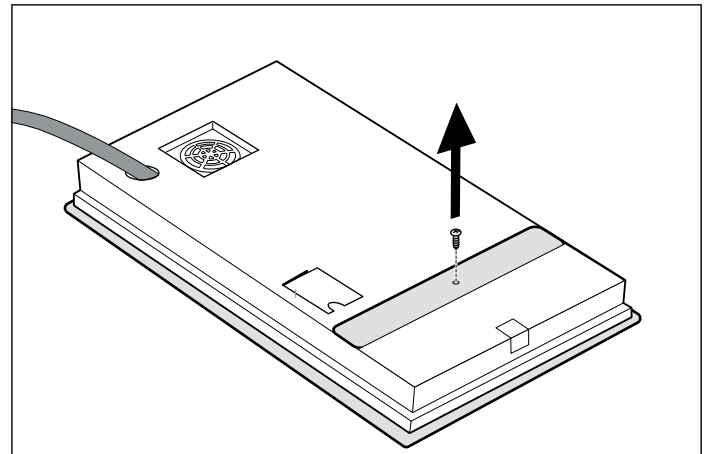
⚠ ATENCION

Bordes afilados. Utilice guantes de protección para instalar la placa.

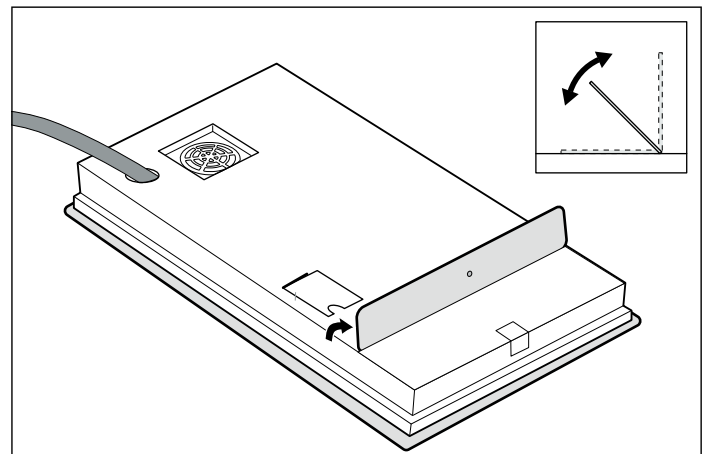
Por motivos de seguridad, el protector térmico debe instalarse correctamente. Su función es evitar que los componentes se calienten excesivamente a causa de la recirculación de aire por la encimera.

El protector térmico es igual de ancho que la encimera. Para el envío, se atornilla a la caja de quemadores.

Cuando haya retirado el embalaje de la encimera, desatornille el protector térmico.



El protector térmico podrá girar libremente tal como se muestra en la ilustración.

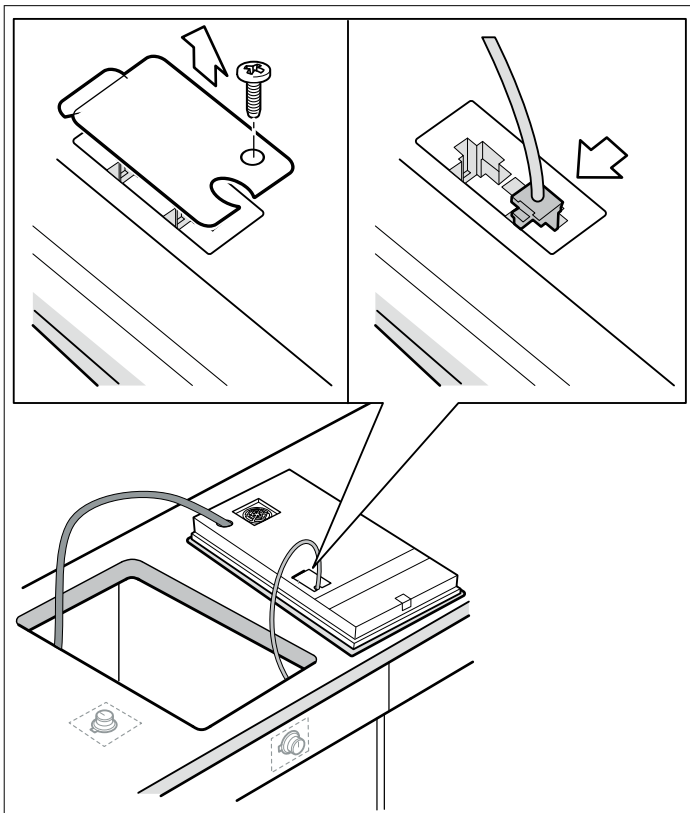


Montaje del aparato

⚠ ADVERTENCIA

Antes de enchufar un cable eléctrico o activar el suministro eléctrico, asegurarse de que todos los controles están en la posición OFF.

1. Introducir el cable de conexión para la perilla de control en el conector que hay en la parte inferior del electrodoméstico. El conector tiene que encajar.

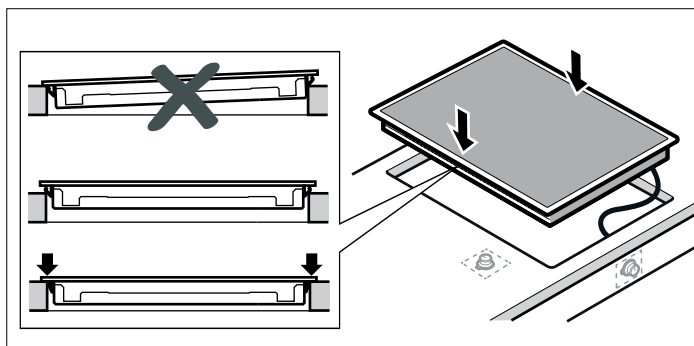


2. Introducir por partes iguales el aparato dentro del recorte. Presionar el aparato con firmeza dentro del recorte.

Las grapas de fijación ya vienen unidas a la placa de cocción en la entrega. Al presionar el aparato con firmeza dentro del corte, las grapas se incrustarán y mantendrán unido el aparato de manera segura.

⚠ ATENCION

No pellizcar ni retorcer el cable de conexión ni pasarlo sobre bordes afilados. Si la cubierta de cocción se instala sobre un horno empotrado, pasar el cable por las esquinas traseras del horno hasta la toma de corriente. El cable debe extenderse de tal forma que no entre en contacto con ningún área caliente de la cubierta de cocción ni del horno.



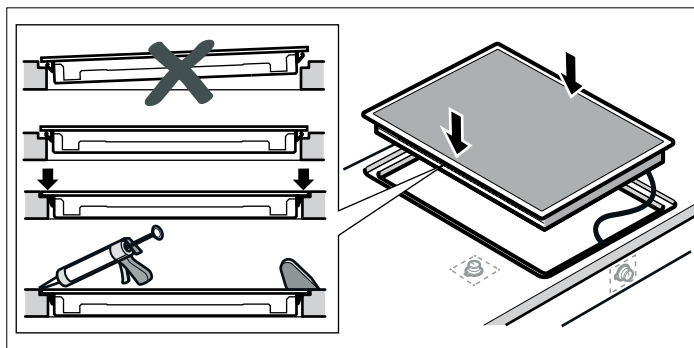
3. Solo para la instalación enrasada:

Nota: Antes de fijar el electrodoméstico, debe llevarse a cabo una comprobación de funcionamiento.

Sellar la separación del contorno con un pegamento de silicón adecuado resistente a las altas temperaturas. Alisar la junta con los productos alisadores recomendados por el fabricante. Observar las indicaciones para el uso del pegamento a base de silicón. Poner en funcionamiento el aparato solo tras el secado completo del pegamento a base de silicón (por lo menos 24 horas, en función de la temperatura ambiente).

AVISO

Un pegamento a base de silicón inadecuado puede dar lugar a decoloraciones permanentes en cubiertas de piedra natural.



Conexión de la alimentación eléctrica

Para más información, véase la placa de características. Véase la ubicación de la placa de características en "Servicio".

El amperaje máximo de los disyuntores derivados, la sección de los cables y las conexiones deben ser conformes con los requisitos del Reglamento electrotécnico nacional o el Reglamento eléctrico canadiense, así como con todos los demás reglamentos y disposiciones locales.

Conectar un conducto flexible a la caja de conexión. Conectar los cables a la fase correcta de los cables de alimentación de la caja de conexión:

- Negro (L1) a negro
- Rojo (L2) a rojo
- Verde o desnudo a masa

Pruebe la instalación

ADVERTENCIA

Antes de enchufar un cable eléctrico o activar el suministro eléctrico, asegurarse de que todos los controles están en la posición OFF.

Retire todos los objetos de la superficie de la placa. Limpie la superficie de la placa con crema de limpieza para placas.

Encienda el disyuntor.

Verifique que los elementos funcionen correctamente.

Desmontaje del aparato

Desconecte el aparato de la corriente. En los aparatos montados a ras de superficie, retire la junta de silicona. Extraiga el aparato presionando desde abajo.

ATENCION

¡Daños en el aparato! No intente extraer el aparato haciendo palanca desde arriba.


Servicio de atención al cliente

Si su aparato necesita una reparación, nuestro servicio de atención al cliente estará encantado de ayudarlo. Siempre encontramos la solución adecuada, incluso para evitar visitas innecesarias de los técnicos.

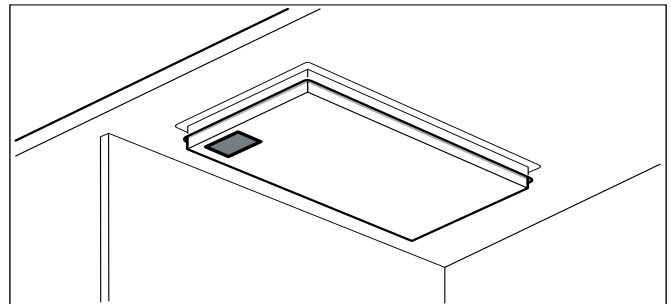
Cuando llame por teléfono, indique la referencia del producto (Nº E) y el número de fabricación (Nº FD) para que podamos ofrecerle un servicio cualificado. La placa de identificación con los números correspondientes los encontrará en la parte inferior del aparato. Para evitar tener que buscar los datos de su aparato cuando los precise, es aconsejable anotarlos aquí conjuntamente con el número de teléfono del Servicio de atención al cliente.

Nº E.

Nº FD.

Servicio de atención al cliente 

Tenga en cuenta que la visita del técnico del servicio de atención al cliente no es gratuito en caso de que el mal funcionamiento sea debido a un manejo incorrecto del aparato.



Las señas de las delegaciones internacionales figuran en la lista adjunta de centros y delegaciones del Servicio de Asistencia Técnica Oficial.

Solicitud de reparación y asesoramiento en caso de averías

US 877 442 4436
toll-free

Gaggenau
BSH Home Appliance Corporation
1901 Main Street, Suite 600
Irvine, CA 92614
1-877-442-4436

www.gaggenau.com/us
© 2020 BSH Home Appliances

Gaggenau Hausgeräte GmbH
Carl-Wery-Straße 34
81739 München
GERMANY



9001475245 (000827)
fr-ca, en-us, es-mx

GAGGENAU