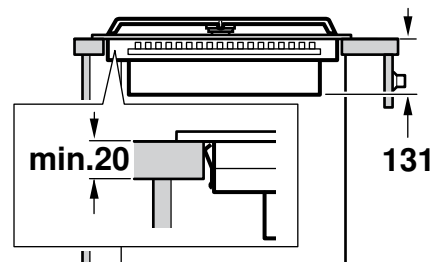
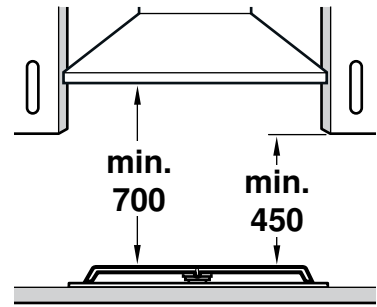
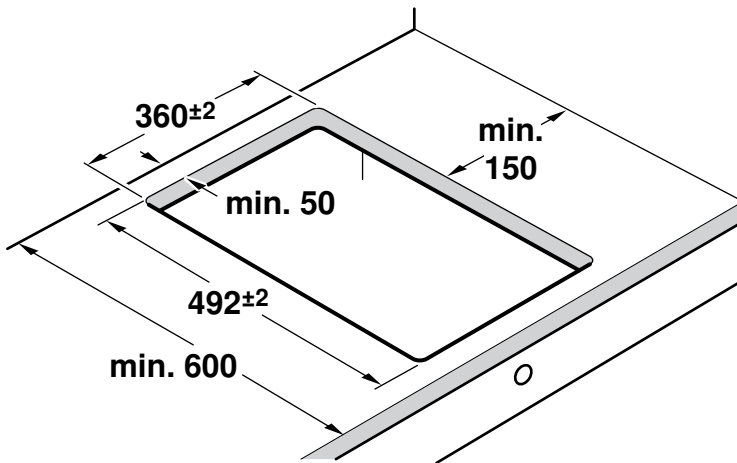
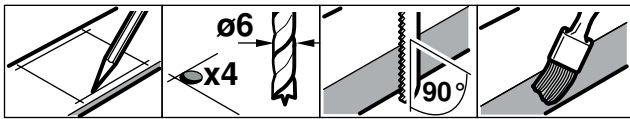
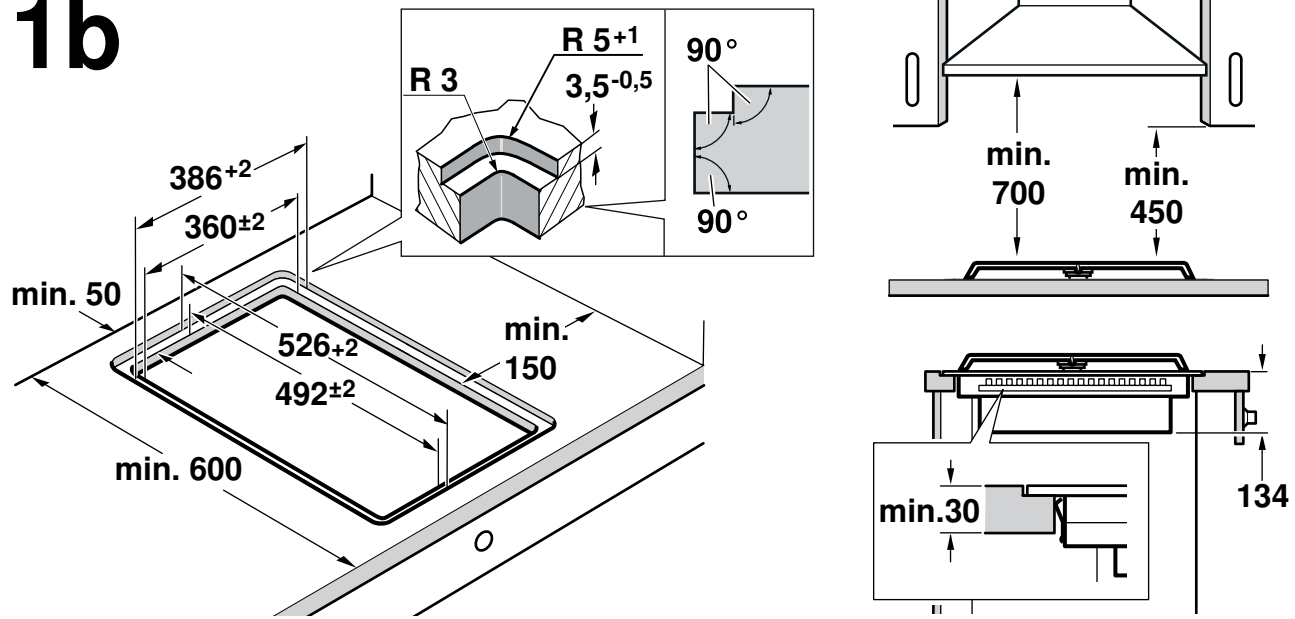


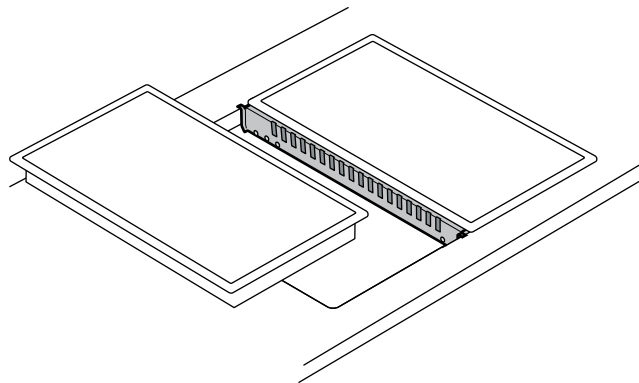
1a



1b

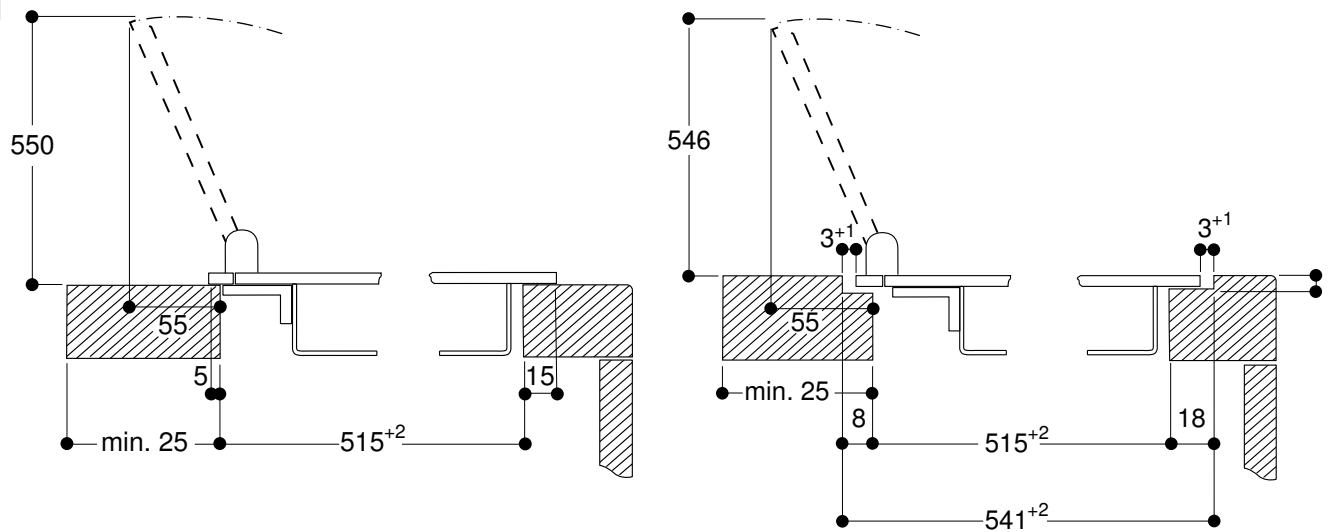


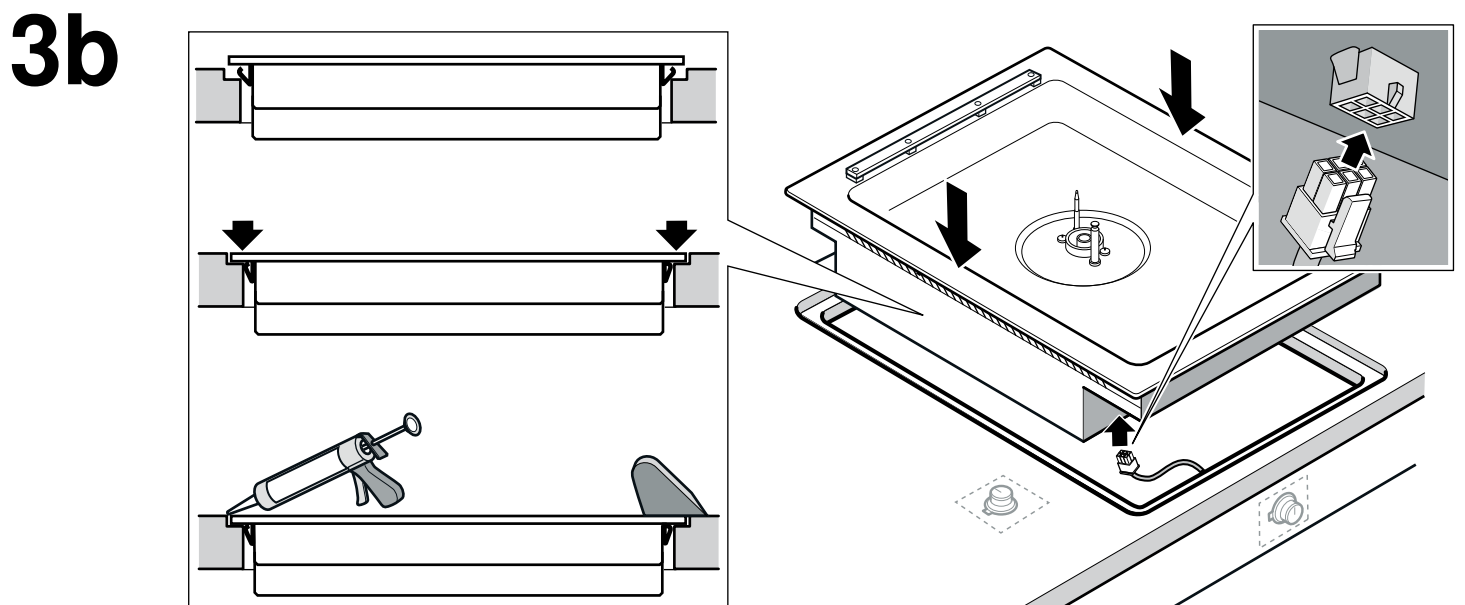
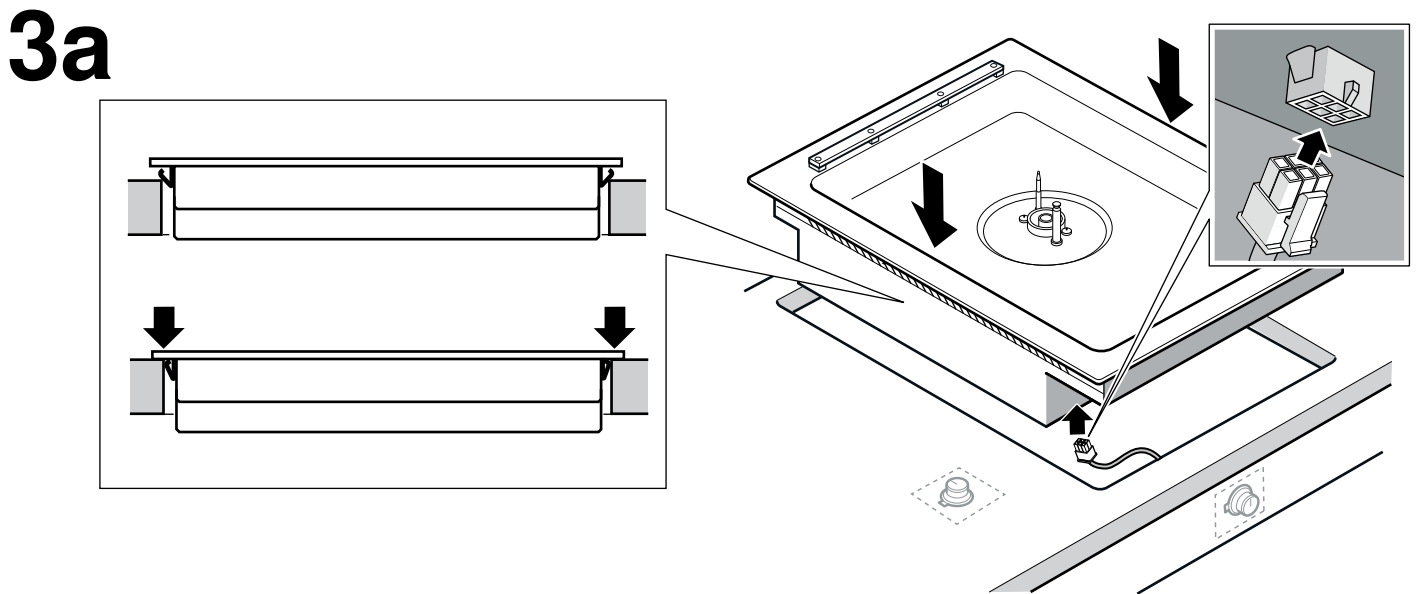
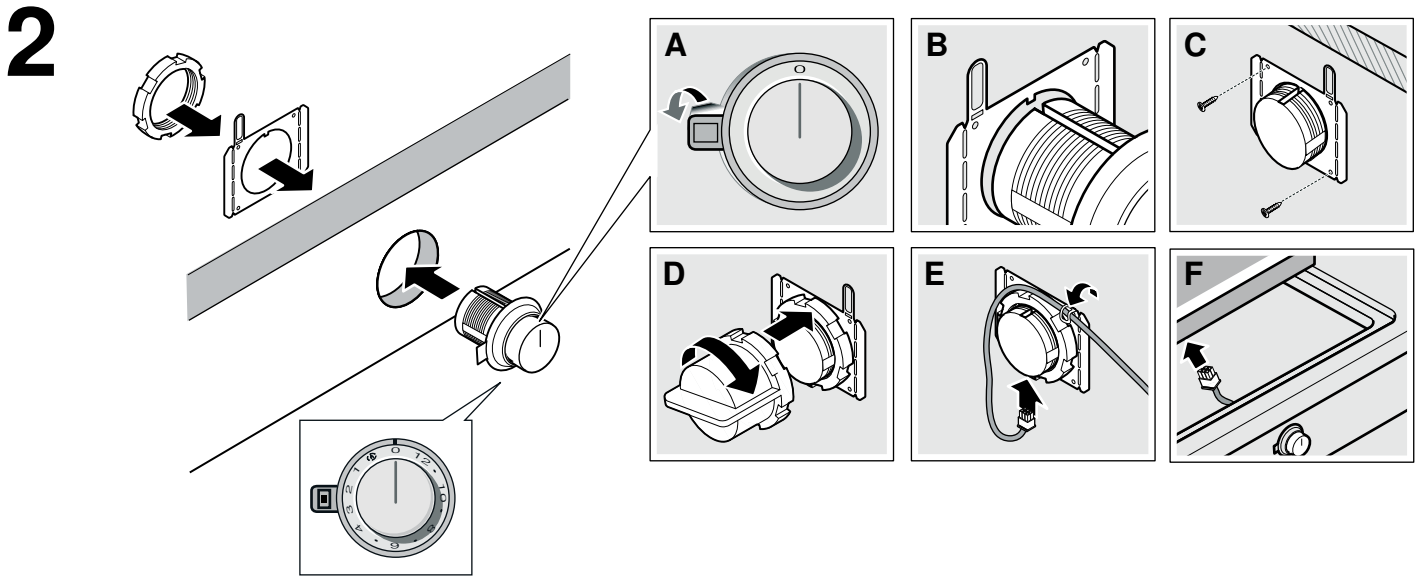
1c



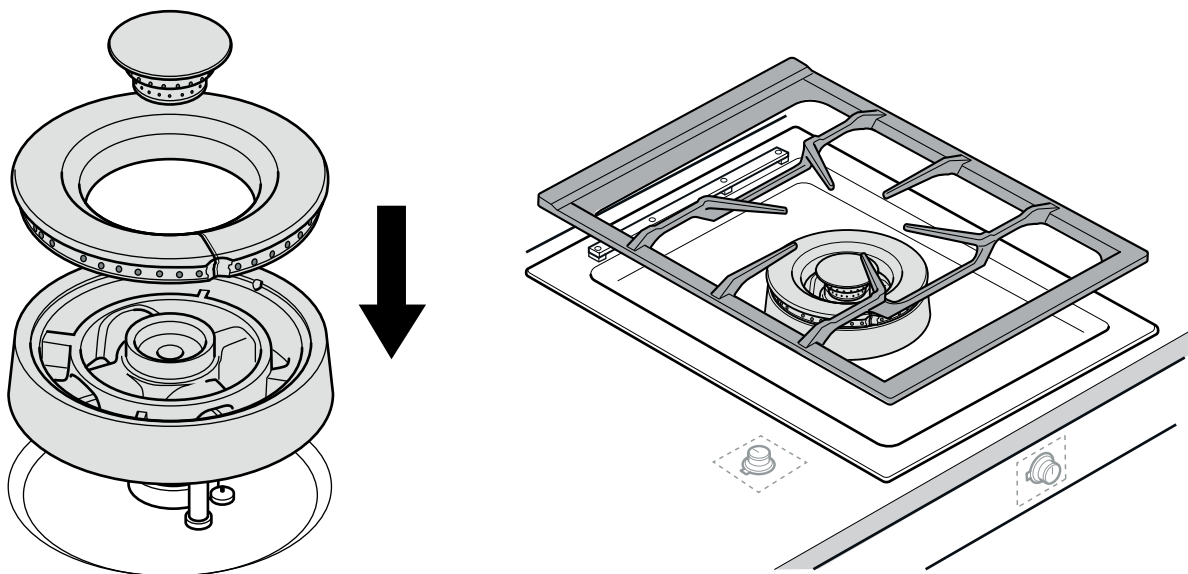
VA 420 000/010

1d

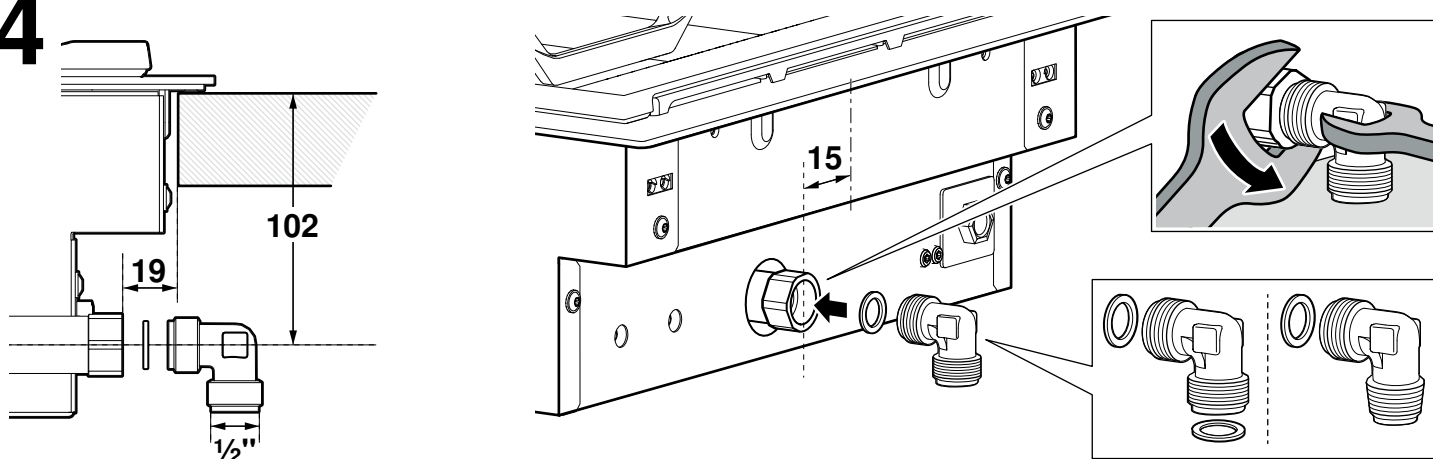




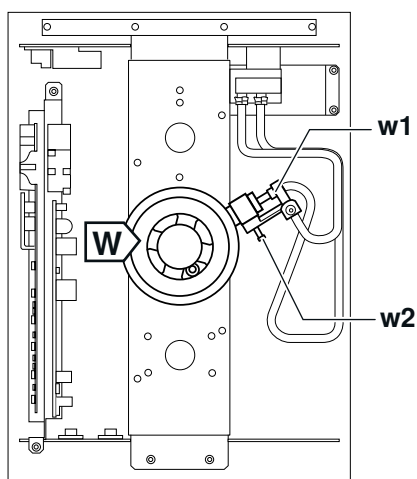
3c


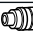


4

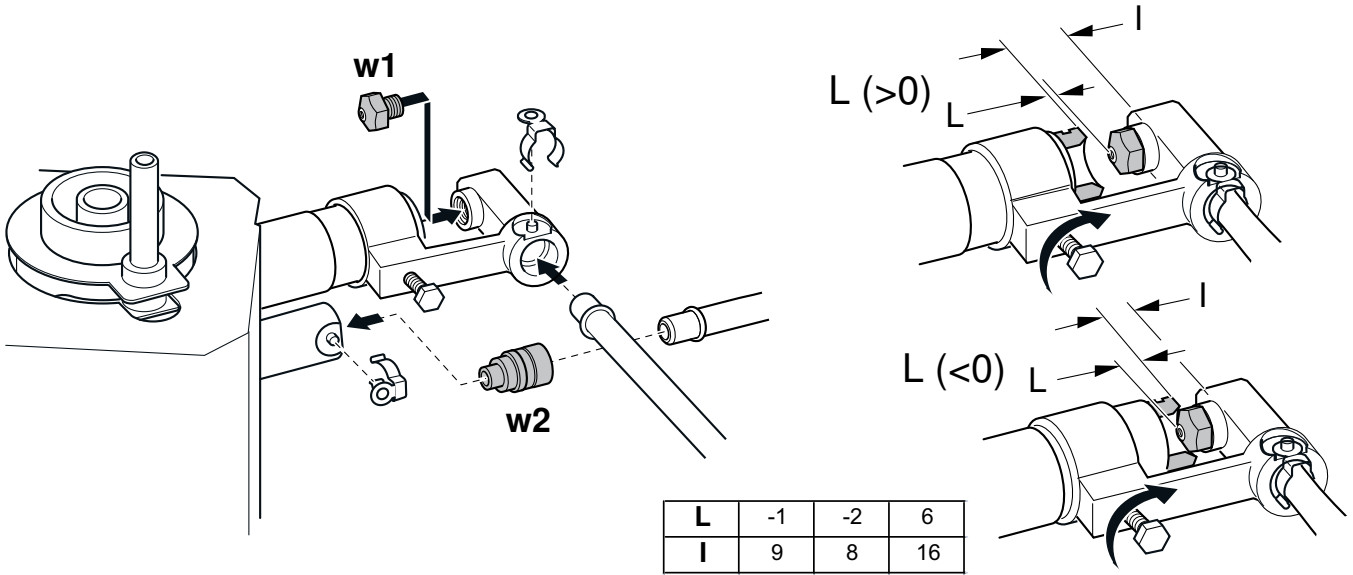


5



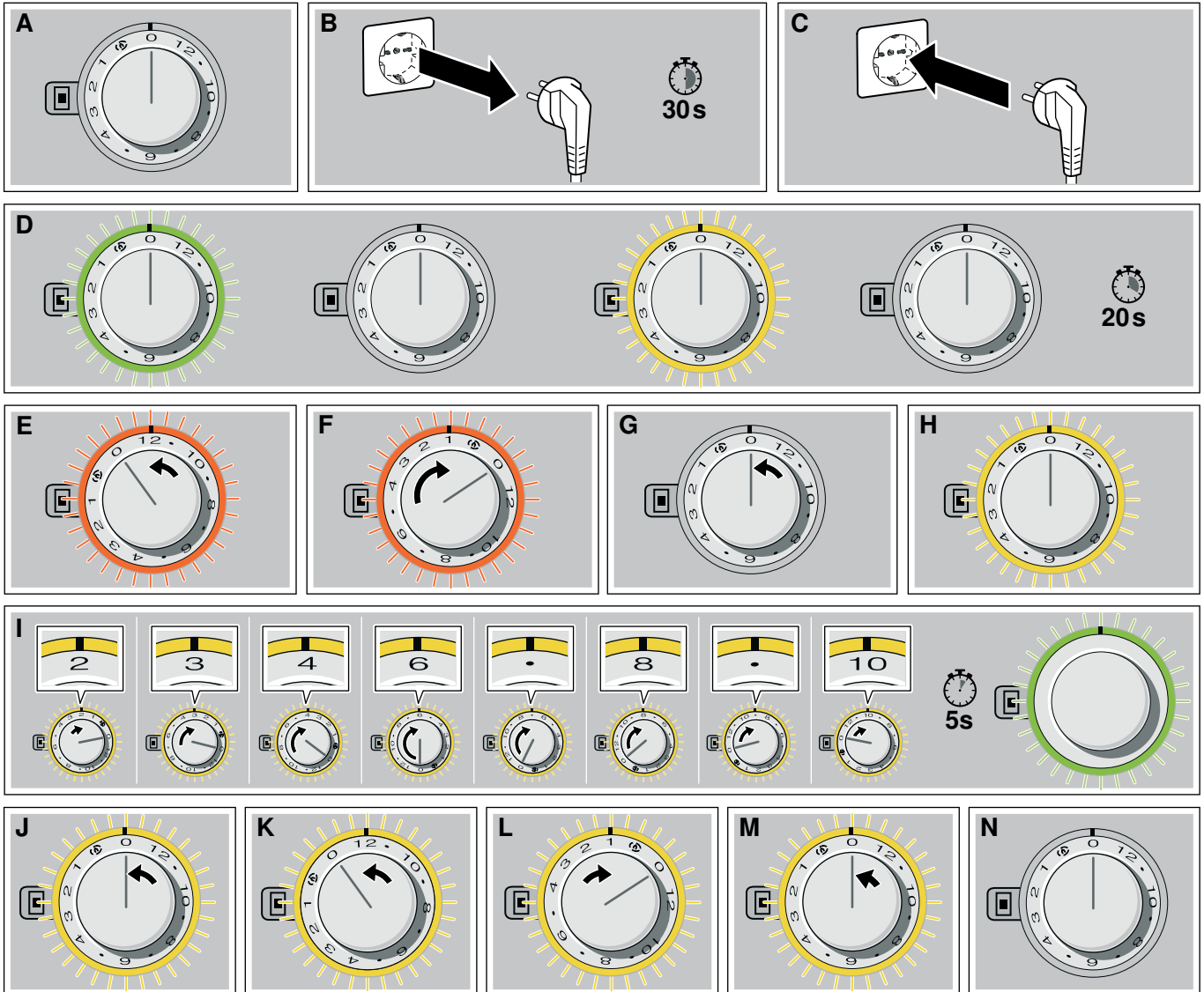
	W	Natural Gas 15 mbar	LPG 29 mbar
	w1	173	103A
		L 2 mm	L 2 mm
	w2	60	40
		5.5 kW	5.0 kW

6



L	-1	-2	6
I	9	8	16

7



Important notes

Read these instructions carefully and keep them in a safe place. Safety during use can only be ensured if the appliance is fitted correctly according to these installation instructions. The installer is responsible for ensuring that the appliance operates perfectly at the point of installation.

⚠ Risk of injury!

Parts that are accessible during installation may have sharp edges. Wear protective gloves.

The appliance must be connected to the mains only by a licensed and trained technician.

Before carrying out any type of work, turn off the electricity and gas supply.

For installation, currently applicable building regulations and the regulations of local electricity and gas suppliers must be observed.

For conversion to another type of gas, please call the after-sales service.

⚠ Risk of gas escape!

After connecting the appliance to the gas supply, always check the connection for leak tightness. The manufacturer accepts no responsibility for the escape of gas from a gas connection which has been previously tampered with.

Ensure sufficient air exchange in the room where the appliance is installed. Up to 11 kW total output:

- Minimum volume of the room where appliance is installed: 20 m³
- A door leading to the open air or a window which can be opened.

Up to 18 kW total output:

- Minimum volume of the room where appliance is installed: 2 m³ per kW total output.
- A door leading to the open air or a window which can be opened.
- An extraction hood into the open air. Minimum displacement volume of extraction hood: 15 m³/h per kW total output.

Caution!

This appliance is not connected to a flue. It must be connected and put into operation in accordance with the installation conditions. Do not connect the appliance to a flue gas outlet. All ventilation regulations must be observed.

The installation system must incorporate an all-pin isolating switch with a contact opening of at least 3 mm, or the appliance should be connected to the mains via a safety plug. The plug must remain accessible after installation is complete.

Specifications on the rating plate showing voltage, type of gas and gas pressure must agree with the local mains connection conditions.

Do not kink or trap the mains connection cable.

This appliance corresponds to appliance class 3 (for installation in a kitchen unit). It must be fitted according to the installation drawing. The wall behind the appliance must be made of non-flammable material.

This appliance is not intended for operation with an external timer or an external remote control.

Do not install this appliance on boats or in vehicles.

Installation accessories

VA 420 000	Connection strip for combination with other Vario 400 appliances for flush installation
VA 420 010	Connection strip for combination with other Vario 400 appliances for surface installation
VA 440 010	Stainless steel appliance cover

Preparing the units (Fig. 1a)

The kitchen unit must be heat-resistant to at least 90 °C (about 190 °F). The stability of the unit must be maintained after producing the cut-out.

Produce the cut-out in the worktop for one or more Vario appliances as shown in the installation sketch. The angle between the cut surface and the worktop must be 90 °.

The cut edges at the sides must be flat to ensure a good fit of the retaining springs on the appliance. In laminated worktops, it may be necessary to fit strips at the sides of the cut-out.

Remove shavings after cutting. Seal cut surfaces for resistance to heat and so they are watertight.

Pay attention to a minimum gap of 10 mm from the underside of the appliance to kitchen units.

Use suitable base constructions to ensure load-carrying capacity and stability, especially in the case of thin worktops. Pay attention to the weight of the appliance, including any payload. Reinforcement material used must be resistant to heat and moisture.

Note: Wait until the appliance has been installed in the installation opening before checking that it is level.

To improve flame stability, we recommend installing an intermediate floor underneath the appliance in the installation cabinet.

Installation flush with surrounding surfaces (Fig. 1b)

It is possible to fit the appliance into a worktop such that it is flush with the worktop surface.

The appliance can be installed in the following temperature- and water-resistant worktops:

- Granite worktops
- Plastic worktops (e.g. Corian®)
- Solid wood worktops: Only on agreement with the worktop manufacturer (seal the cut-out edges)
- For other worktop materials, contact the worktop manufacturer about their use.

The appliance cannot be installed in compressed-wood worktops.

Note: All cut-outs in the worktop are to be carried out in a specialist workshop in accordance with the installation diagram. Each cut-out must be neat and precise as the cut edge is visible on the surface. Clean and degrease the cut-out edges with a suitable cleaning agent (follow the instructions from the silicone manufacturer).

Combining multiple Vario appliances (Fig. 1c)

The connecting strip VA 420 000/010 is required in order to combine multiple Vario appliances. This can be ordered separately as an optional accessory. When making the cut-out, allow extra space for the connecting strip between the appliances (see installation instructions VA 420 000/010).

Appliances can also be fitted in their own individual cut-outs as long as at least 50 mm of material is left between the cut-outs.

Combination with appliance cover (Fig. 1d)

The appliance cover VA 440 010 is available separately as an optional accessory. Take the additional space required by the appliance cover into consideration when making the cut-out.

Hole for the control knob

Possible installation types:

- At the front of the floor cabinet
- In the worktop next to the appliance
- In the worktop in front of the appliance

Note: Follow the installation instructions provided for the control knobs.

Fitting the control knobs (Fig. 2)

1. Depending on the distance between the control knobs, it may be necessary to break off the retaining plate at the perforation. Hold the retaining plate in place against the rear of the control panel/underside of the worktop or secure it in place with the screws provided.
2. When fitting an individual control knob or if the retaining plate has been broken off at the perforation, use two screws to hold each retaining plate in place and prevent it from rotating. For stone worktops, use temperature-resistant two-component adhesive (for metal to stone) to adhere the retaining plate.
3. Remove the protective film on the back of the illuminated ring.
4. Push the control knob into the hole, and use the installation tool provided to tighten the nut at the rear.
5. Use the short cables provided to connect all the control knobs. The male connectors must snap into place in the female connectors.

Note: The two female cable connectors on the control knob are identical.

6. Attach the long cable to one of the control knobs to connect it to the appliance. The male connector must snap into place in the female connector.

Note: The appliance can be connected to any control knob.

7. After fitting, check that all plug-in connections are seated correctly.
8. After fitting all the cables, secure them to the retaining plate by turning the tab down.

Installing the appliance (Fig. 3a)

1. Insert the end of the connection cable for the control knob into the female connector on the underside of the appliance. The male connector must snap into place.
2. Insert the appliance evenly into the cut-out. Push it down firmly into the cut-out.
Note: The appliance must sit fast in the cut-out and must not be able to move around (e.g. during cleaning). If the width of the cut-out is at the upper tolerance limit, secure batten to the sides of the cut-out if necessary.
3. Connect the appliance to the power and gas supply and test for correct functioning. There might be an air pocket in the gas supply line if the appliance switches off. Turn control knobs off and switch on again. Repeat until burner ignites.

Only for installation flush with surrounding surfaces (Fig. 3b)

Note: Make sure that everything is working correctly before grouting.

Grout the surrounding gap with a suitable temperature-resistant silicone adhesive (e.g. OTTOSEAL® S 70). Smooth the seal joint with a smoother recommended by the manufacturer. Follow the instructions for the silicone adhesive. Do not use the appliance until the silicone adhesive is completely dry (at least 24 hours, depending on the room temperature).

Caution!

Using unsuitable silicone adhesive on natural stone work surfaces may cause permanent discolouration.

Gas connection (Fig. 4)

The gas connection must be arranged in such a way that the shut-off valve is accessible.

The appliance comes with two connection elbows (appliance-side G $\frac{1}{2}$ "). Select the suitable version depending on the country:

- ISO 228 G 1/2 cylindrical
- EN 10226 R 1/2 conical

Use one of the supplied connection elbows and the corresponding seal to connect the appliance to a fixed connecting cable or a gas safety hose.

If the gas safety hose is not made of metal or is only partially made of metal, the ambient temperature must not exceed 90 °C. If the gas safety hose is made of metal, the permissible ambient temperature is 115 °C.

Route the gas safety hose in such a way that it does not come into contact with the moving parts of the fitted units (e.g. drawer).

Electrical connection

Check that the appliance has the same voltage and frequency as the electrical installation system.

The hob is delivered with a mains cable, with or without plug, depending on model.

Only connect the appliance to sockets which have been fitted and earthed according to regulations.

The appliance corresponds to type Y: the mains connection cable must only be replaced by the after-sales service. Check the cable type and minimum cross section.

Technical data

Total connected load VG 415 211 CA:
5.5 kW (natural gas) / 5.0 kW (LPG)

Electric 25.0 W

Maximum safety time for each burner: 10 seconds

Conversion to another type of gas (Fig. 5)

The gas hob belongs to the categories stated on the type plate. Changing the injection nozzles enables the appliance to be used with all the types of gas listed there. Conversion kits can be obtained from our after-sales service. Some models come delivered with a conversion kit.

The appliance must only be converted to a different type of gas by a licensed expert.

Switch off the electricity and gas supplies before changing the injection nozzles.

Replacing the main nozzles (Fig. 6)

1. Remove the pan supports and all burner parts.
2. Undo the cooktop fastening screws on the burner and carefully lift the cooktop off.
3. Remove the securing clips from the burner pipes. Pull out the burner pipes. Unscrew the screw in the air regulating sleeve. Remove the nozzle retaining head.
4. Pull off the nozzle and O-ring for the inner burner ring by hand. Unscrew the nozzle for the outer burner ring (WAF 10).
5. Check that the O-ring is seated correctly in the new main nozzle for the burner inner ring. Fit the nozzle to the burner pipe. Screw the new main nozzle for the outer burner ring as far as it will go into the nozzle retaining head.
6. Fit the nozzle retaining head and burner pipes. Fit the securing clips.
7. Loosen the screw and adjust the air regulating sleeve to the correct setting (see nozzle table). Retighten the screw.
8. Put the cooktop in place and tighten the screws evenly. Put the burner parts and pan supports in place and make sure they are positioned correctly.

Setting the gas type (Fig. 7)

Use any control knob to set the gas type:

1. Turn the control knob to 0. Disconnect the appliance from the power supply. Wait at least 30 seconds.
2. Reconnect the appliance. The illuminated ring around the control knob will be lit green for a few seconds and then yellow. Wait until the illuminated ring goes out.
3. Turn the control knob anti-clockwise to position 12.
4. Turn the control knob clockwise to position 1.
5. Turn the control knob anti-clockwise to position 0. Wait until the illuminated ring is lit yellow.
6. Turn the control knob to set the gas type; the position currently set will be lit green:

Control knob position	Gas type
3	LPG 29 mbar
7	Natural Gas 15 mbar

7. Leave the control knob at the required setting for at least 5 seconds. The illuminated ring around the control knob will be lit green.

8. **To save the setting, always exit the menu as follows:** Turn the control knob to 0. Then turn the control knob anti-clockwise to position 12. Turn the control knob clockwise to position 1. Turn the control knob anti-clockwise to position 0. Wait until the illuminated ring goes out.

The setting will be saved. The illuminated ring around the control knob will be lit yellow for a few seconds. Wait until the illuminated ring goes out.

Checking functions after the conversion:

The flames are adjusted correctly if no yellow tips are visible and if they do not go out when switching over swiftly from the high to the low setting.

Note: stick the adhesive label included with the nozzle set over the rating plate of the appliance to document the changeover to a different gas type.

Removing the appliance

Disconnect the appliance from the power and the gas supply. For flush-mounted appliances, remove the silicone joint. Push out the appliance from below.

Caution!

Damage to appliance! Do not lever out the appliance from above.

重要注意事項

請詳閱說明書，並保存在安全之處。只有在依照安裝指示正確安裝電器，才能確保使用時安全無虞。安裝者須負責確保電器在安裝位置運作正常。

△ 受傷風險!

安裝時所接觸的零件可能有尖銳邊緣。請戴上保護手套。

本電器務必由持有執照的人士和受過訓練的技術人員來連接至主電源。

在進行任何工作之前請先關閉電源及瓦斯供應。

安裝時，請遵守適用之建築條例以及當地電力及瓦斯供應商的相關規定。

若要變更瓦斯類型，請聯絡售後服務中心。

△ 瓦斯外洩風險!

電器連接瓦斯供應後，請檢查是否有外洩之慮。若瓦斯連接處受到蓄意破壞而造成瓦斯外洩，製造商不負任何責任。

請確保電器安裝環境的通風條件。最大總輸出達11 kW:

- 安裝電器所需的環境最小容積：20平方公尺
- 有通風口或窗戶之環境。

最大總輸出達18 kW:

- 安裝電器所需的環境最小容積：每千瓦總輸出需2平方公尺。
- 有通風口或窗戶之環境。
- 通往室外的排油煙機。抽油煙機最小排量：每千瓦總輸出15平方公尺 / 小時。

注意!

此電器不得連接至煙道。必須依照安裝條件進行連接使用。請勿將電器連接至排氣煙道。必須遵循所有通風法規。

安裝系統必須備有一個全極隔離開關，且接點開口至少間隔3公釐，或是利用安全插頭將本電器連接到主電源。安裝完成後必須能觸及此插頭。

額定銘牌上的電壓資料、瓦斯類型與瓦斯壓力必須符合當地的連接條件。

請勿彎曲或卡住主電源連接線。

本電器符合電器等級3（適合安裝在櫥櫃）。請根據安裝圖示安裝。在電器後方的壁面必須為不可燃材質。

本電器不適合與外部計時器或外部遙控操作搭配使用。

請不要將本電器安裝在船隻或運輸工具上。

安裝配件

VA 420 000	用來組合其他 Vario 400 電器以進行齊平安裝的連接線
VA 420 010	用來結合其他 Vario 400 電器以進行表面安裝的連接線
VA 440 010	不銹鋼電器的護蓋

請準備元件 (圖 1a)

廚房裝置耐熱度必須達到 90 °C (約 190°F)。鑽孔工作後，必須確保此裝置為安全穩固。

按照安裝圖，在工作檯上鑽孔一或多個 Vario 電器。鑽孔表面與工作檯面之間的夾角必須為 90°。

側邊必須平坦，確保能安裝至電器的固定彈簧。如果在夾板工作檯，必須在鑽孔面的兩側綁上繩子。

鑽孔完成後，請將碎屑去除。把所有鑽孔表面密封以做到防熱與防水效果

廚房與電器內側必須要有 10 公釐的空隙。

請使用合適的基底以確保承重份量以及穩定性，尤其是安裝在薄工作檯。請留意電器重量包含任何淨載重量。加固所使用的材料必須有防熱和防潮功能。

提示：請先將電器安裝至開口，再檢查是否水平。

以週圍表面齊平的方式進行安裝 (圖 1b)

可以電器安裝至工作檯，讓電器與工作檯表面齊平。

此電器可以安裝於下列耐溫與防水工作檯：

- 花崗石工作檯
- 塑膠工作檯 (例如：可麗耐®)
- 實心木頭工作檯：需有工作檯製造商同意 (密封鑽孔邊緣)
- 其他工作檯質地請洽詢製造商使用發法。

請勿將電器安裝至壓縮木工作檯。

提示：請由專業人士在工作檯鑽孔，以確保每一個鑽孔半徑相符安裝說明。鑽孔表面清晰可見，鑽孔時務必力求完美精確。請用適當清潔方式整理與去除鑽孔表面髒污 (請按照矽膠製造商說明)。

組合多個 Vario 電器 (圖 1c)

組合 Vario 電器需使用 VA 420 000/010 連接線。可另外選購此配件。鑽孔時請在電器與連接線中間留下空間 (請參閱安裝說明 VA 420 000/010)。

可使用自己的鑽孔安裝電器，每個鑽孔之間要保留至少 50 公釐的空隙。

組合電器蓋 (圖 1d)

電器蓋 VA 440 010 為額外選購配件。製作裁切開口時，請考慮電器蓋所需的額外空間。

控制旋鈕的洞

可能的安裝類型：

- 落地櫃前方
- 相鄰電器的工作檯內
- 電器前的工作檯內

提示：請遵循控制旋鈕的安裝說明。

安裝控制旋鈕 (圖 2)

1. 視控制旋鈕之間的距離，穿孔時可卸下固定板。將固定板靠在控制面板的後面部分 / 工作檯的下側，或者用隨附的螺絲固定。
2. 單獨安裝控制旋鈕，或固定板在穿孔處斷裂時，請使用兩顆螺絲來維持固定板的位置以防止其轉動。
若在石製工作檯上工作，請使用耐熱的兩劑式黏著劑 (金屬和石材黏著劑) 以黏合固定板。
3. 撕掉發光圓環後方的保護膜。
4. 將控制旋鈕推入孔中，並使用隨附的安裝工具鎖緊後方的螺帽。
5. 使用隨附的短電線連接所有控制旋鈕。公接頭必須插入母接頭的正確位置。
提示：控制旋鈕的兩條母電源連接線路相同。
6. 將長電線連接到其中一個控制旋鈕，使其連接至電器。公接頭必須插入母接頭的正確位置。
提示：本電器可以連接至任何控制旋鈕。
7. 安裝完畢後，請確認是否正確安裝所有插座線路。
8. 安裝所有的電源線路後，藉由轉動卡口固定其固定板。

安裝電器 (圖 3a)

1. 將控制旋鈕連接電線的一端插入電器底部的母接頭中。公接頭必須插入正確位置。
2. 把電器水平放入開口中，然後確實推入開口中。
提示：電器必須確實固定在開口中而且無法移動 (例如在清潔時)。如果開口寬度接近可容納範圍的上限，請視需要在裁切部份的兩側加上邊條。
3. 將電器連接至電源與瓦斯供應，檢查是否能正常運作。如果電器關閉，可能表示瓦斯供應管路中有氣泡。轉動並關閉控制旋鈕，然後再次打開。重複動作直到燃燒器點火。

只適用於與周圍表面齊平的方式安裝 (圖 3b)

提示：在密封前，請先確定所有部件都能正確運作。

使用耐高溫的矽氧樹脂黏著劑 (例如：OTTOSEAL® S 70) 將周圍的間隙填妥。請使用製造商建議的拋光劑處理密封處。請遵照矽氧樹脂黏著劑的使用說明操作。在矽氧樹脂黏著劑完全乾燥之前，請勿使用電器 (至少 24 小時，因室溫而異)。

注意!

使用不適當的矽氧樹脂黏著劑可能會導致天然石材工作表面出現永久性變色。

瓦斯連接 (圖 4)

瓦斯連接的關閉閥門必須位於可觸及的位置。

本電器有兩個連接彎頭 (電器側為 G $\frac{1}{2}$)。可依據不同國家選擇適當的版本：

- ISO 228 G 1/2 圓柱形
- EN 10226 R 1/2 圓錐形

使用隨附的連接彎頭與對應密封條，將電器連接上固定電源連接線或瓦斯安全管。

如果瓦斯安全管非金屬製或僅部分為金屬，則周圍溫度不得超過 90 °C。如果瓦斯安全管為金屬製，周圍溫度最高可達 115 °C。

瓦斯安全管應置於不會碰觸到其他家具移動物件的地方 (例如抽屜)。

電源連接

檢查電器的電壓及頻率是否與電氣安裝系統相同。

爐具隨附主電源線，但是否附有插頭依型號而定。

僅能將電器插入符合安裝與接地規定的插座。

Y 型電器：僅能透過售後服務中心更換主電源連接線。檢查電纜種類及最小橫截面。

技術規格

連接的總負載量VG 415 211 CA:
5.5 kW (天然氣) / 5.0 kW (液化石油氣, LPG)

電力25.0 W

各個燃燒器的最長安全保護時間: 10秒

轉換為其他瓦斯類型(圖 5)

瓦斯爐具的分類標示於類型銘牌上。更換噴嘴可讓電器使用此處所列出的所有瓦斯類型。轉換套件可以從售後服務中心購得。部分機型隨附轉換套件。

要將電器更換成使用其他類型的瓦斯時，必須由授權專業人士操作。

更換噴嘴時，請關閉電源和瓦斯供應。

更換主管嘴(圖 6)

1. 拆下爐架和所有燃燒器零件。
2. 拆下燃燒器上的爐面固定螺絲，然後小心地抬起爐面。
3. 移除燃燒器管的固定片。拉出燃燒器管。旋開空氣調整套筒的螺絲。拆下管嘴固定頭。
4. 用手取下內部燃燒器環的管嘴和O型環。旋開外部燃燒器環的管嘴 (WAF 10)。
5. 檢查O型環是否確實位於內環燃燒器環的新主管嘴內。將管嘴安裝至燃燒器管。將外部燃燒器環的新管嘴儘可能旋入管嘴固定環中。
6. 裝上管嘴固定頭和燃燒器管。裝上固定片。
7. 鬆開螺絲並調整空氣調節套筒至正確的設定 (請參閱管嘴表)。重新鎖緊螺絲。
8. 將爐面放回並以均勻的力道鎖緊螺絲。將燃燒器零件和爐架裝回並確認位置正確。

設定瓦斯類型(圖 7)

使用任一控制旋鈕設定瓦斯類型:

1. 請控制旋鈕轉至0。切斷電器的電源供應。等待至少30秒。
2. 重新連接電器的電源。控制旋鈕周圍發光圓環會亮起綠燈，數秒鐘後轉為黃燈。等待發光圓環熄滅。
3. 將控制旋鈕逆時針轉至12的位置。
4. 將控制旋鈕順時針轉至1的位置。
5. 將控制旋鈕逆時針轉至0的位置。等待發光圓環亮起黃燈。
6. 轉動控制旋鈕設定瓦斯類型; 目前使用的設定會亮起綠燈:

控制旋鈕位置	瓦斯類型
3	液化石油氣 (LPG) 29 mbar
7	天然氣15 mbar

7. 將控制旋鈕保持在所需的設定位置至少5秒。控制旋鈕周圍的發光圓環會顯示綠燈。

8. **要儲存設定，請務必依下列方式返回功能表：**將控制旋鈕轉至0。然後將控制旋鈕逆時針轉至12的位置。將控制旋鈕順時針轉至1的位置。將控制旋鈕逆時針轉至0的位置。等待發光圓環熄滅。

設定隨即儲存。控制旋鈕周圍發光圓環會亮起黃燈數秒鐘。等待發光圓環熄滅。

轉換後檢查功能：

從高設定值迅速切換到低設定值時，檢查是否出現火焰或黃色火焰。

提示：請將管嘴銘牌所附的標籤貼紙，貼到變更瓦斯類型的文件上。

拆除電器

切斷電器的電源與瓦斯供應。若電器為齊平式安裝，請清除矽氧橡膠接縫。從下方將電器向上推。

注意！

電器損壞！請勿從上方將電器撬開。

