



**VG 264 214CA**

Stainless steel control panel  
Natural gas  
Width 24" (60 cm)

**Installation accessories**

**SH 260 000**

Hinge holder for mounting of  
appliance cover VD 201  
(order separately, order two)

**VV 200 014**

Connecting strip for combination  
with other Vario cooktops

**Optional accessories**

**VD 201 014**

Brushed stainless steel appliance  
cover (order two covers)  
Cast-iron pan supports have to  
be removed before cover can  
be closed

**Vario 200 series gas cooktop**

**VG 264**

- Can be combined with cooktops of the Vario 200 series.
- Electric ignition of all burners. Simply press the knob, turn it and hold it there until a stable flame burns.
- Integrated control panel for comfortable and secure operation.

**Cooking zones**

4 gas burners and pans suitable for pots up to max.  $\varnothing$  8 1/4":  
2 high-output burners (560-2,800 W, 1,900 - 9,500 BTU).  
2 standard burners (380-1,900 W, 1,300 - 6,500 BTU).

**Features**

Brushed stainless steel cooktop.  
Automatic quick ignition.  
Cast-iron pan support, also suitable for small pans.  
Enameled burner cover.  
All-gas valve with fine control  
Equipped for natural gas. Jets supplied for conversion to LP gas.

**Safety**

Safety thermocouple ignition.

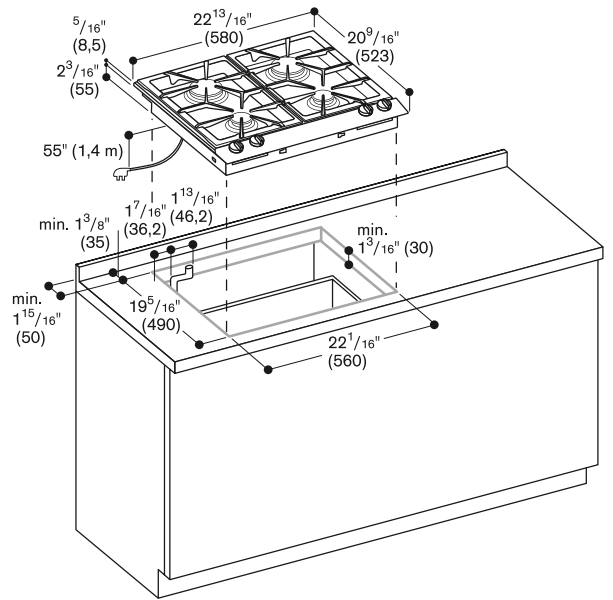
**Planning notes**

A minimum clearance of 4" from adjacent heat-sensitive cabinet or contact surfaces must be observed or thermal insulation must be installed.  
Appliance clicks into place when inserted in the work top from above.

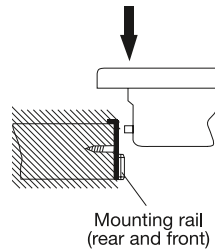
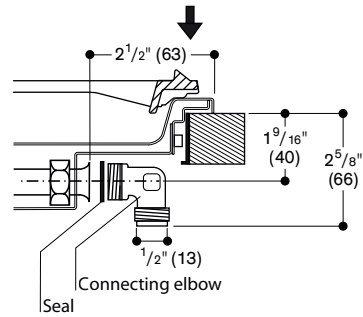
Please read additional planning notes on page 90 - 91.

**Rating**

Total rating: 32,000 BTU  
Total Amps: 1  
120V / 60Hz  
Connecting cable 55" with plug.



**Gas connection**



Numbers indicated inside parenthesis ( ) = mm