



VG 231 214CA

Stainless steel control panel
Natural gas
Width 12" (28 cm)

Installation accessories

VV 200 014
Connecting strip for combination with other Vario cooktops

Optional accessories

VD 201 014
Brushed stainless steel appliance cover

WP 400 001
Wok pan made of multiple-layered material with round bottom and handle, \varnothing 14 ³/₁₆" , height 3 ¹/₅" .

Vario 200 series gas wok cooktop
VG 231

- Special appliance for restaurant-grade capabilities in the home kitchen.
- Integrated control panel for comfortable and secure operation.
- Wok burner with 17,000 BTU output. For the typical Asian quick braising and for large pots and pans.
- Electric ignition of burner. Simply press the knob, turn it and hold it there until a stable flame burns.

Cooking zones

1 three-ring wok burner. (250–5,000 W) 850–17,000 BTU, suitable for woks and pans up to \varnothing 12 ⁵/₈" .

Features

Brushed stainless steel cooktop. Three flame rings. Electric ignition. Cast-iron pan support. Three-ring burner of solid heat-resistant burner brass. Equipped for natural gas. Jets suitable for conversion to LP gas.

Safety

All-gas valve with fine control thermoelectric safety pilot.

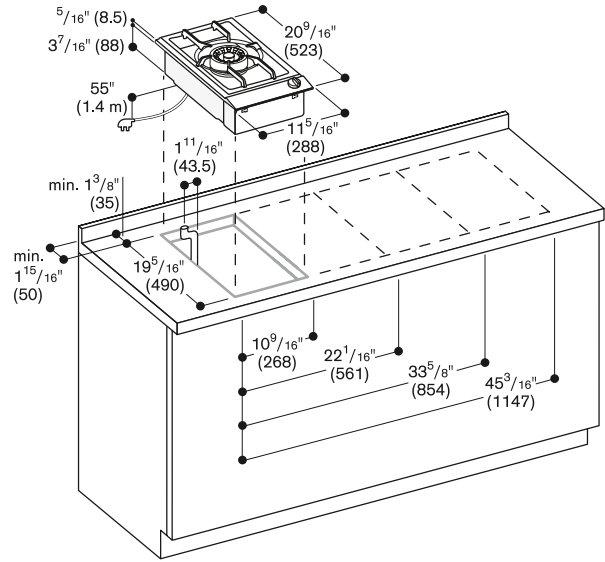
Planning notes

Maximum drawer depth 16 ⁹/₁₆" . Appliance clicks into place when inserted in the countertop from above. A minimum clearance of 5 ⁷/₈" from adjacent heat-sensitive furniture or contact surfaces must be observed or thermal insulation must be installed. Due to its diameter, do not combine VL 041/040 immediately adjacent to air deflector LS 041 000.

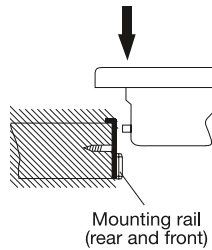
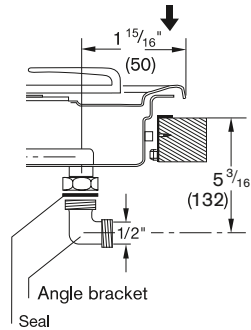
Please read additional planning notes on page 90 – 91.

Rating

Total rating: 17,000 BTU
Total Amps: 1
120V / 60Hz
Connecting cable 55" with plug.



Gas connection



Numbers indicated inside parenthesis () = mm