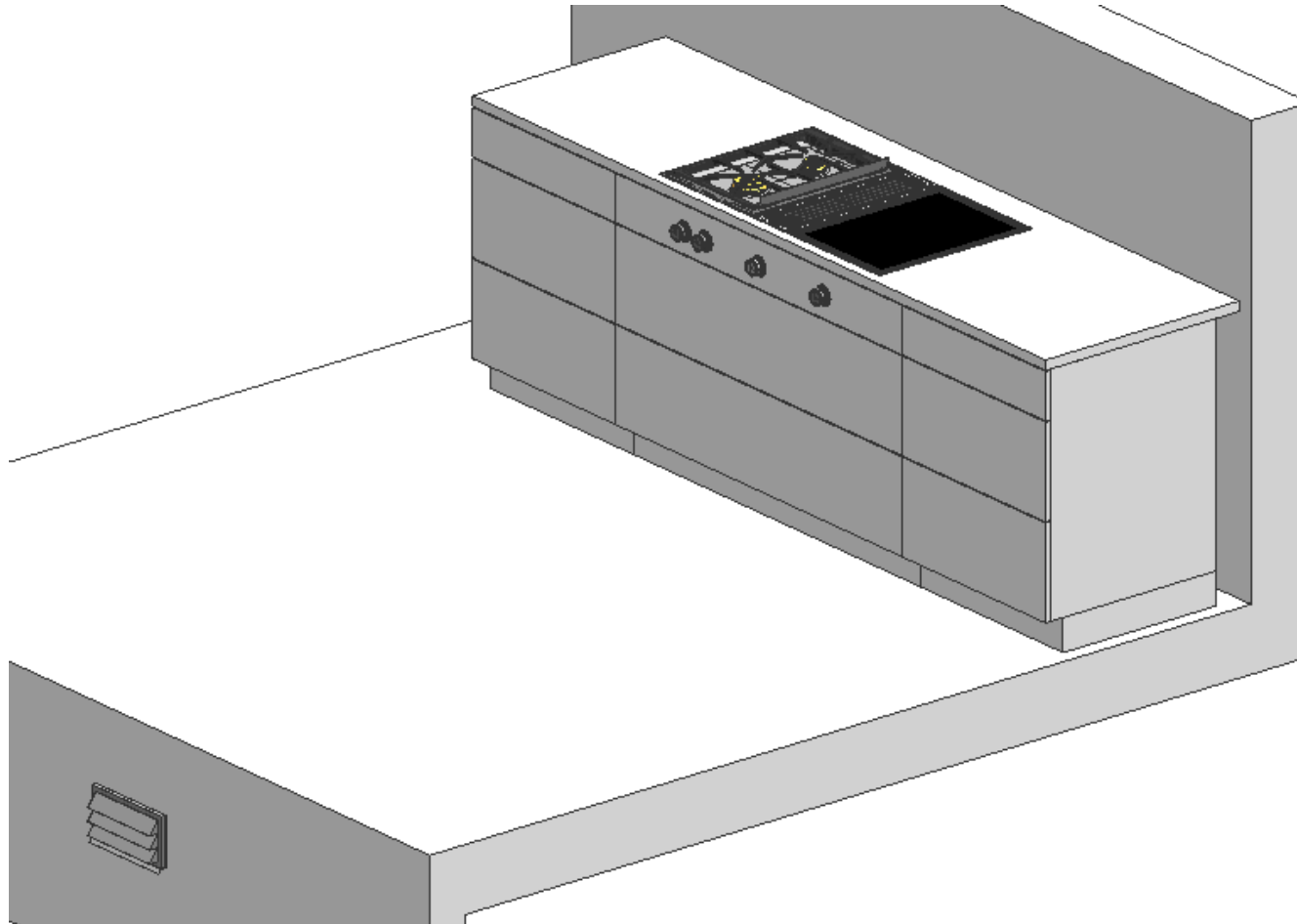


17. Januar 2023

Configuration	VL 414 712 - AR 400 742 - 2 Varios	Min. Work depth	25 <sup>9</sup> / <sub>16</sub> " (650 mm)	Ventilation mode	Extraction
Type reference cooktops	VG 425 211 CA - VI 414 613	Type reference ventilation appliance	VL 414 712	Type reference remote fan unit	AR 400 742

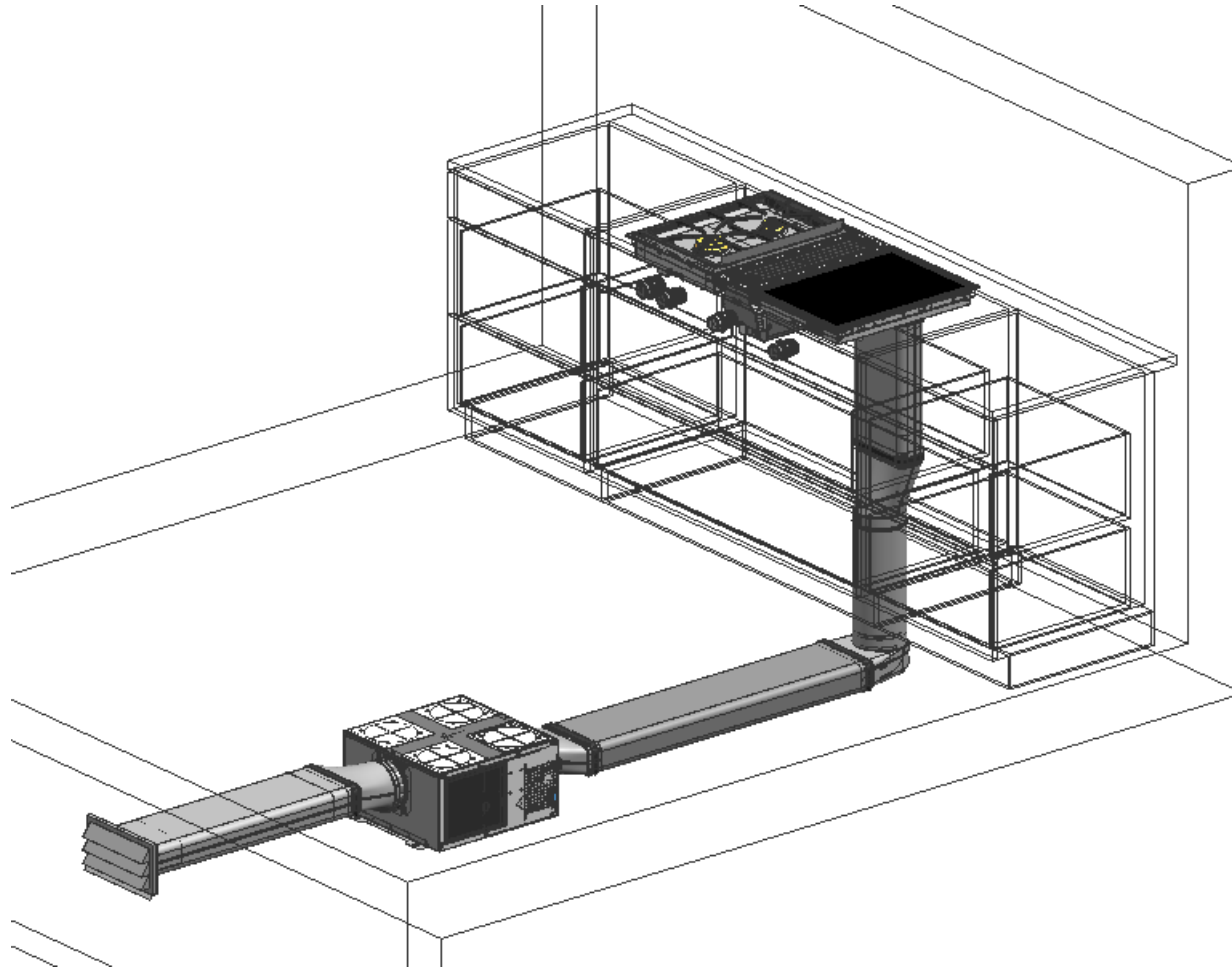
## Installation view



17. Januar 2023

Configuration	VL 414 712 - AR 400 742 - 2 Varios	Min. Work depth	25 9/16" (650 mm)	Ventilation mode	Extraction
Type reference cooktops	VG 425 211 CA - VI 414 613	Type reference ventilation appliance	VL 414 712	Type reference remote fan unit	AR 400 742

## Installation view



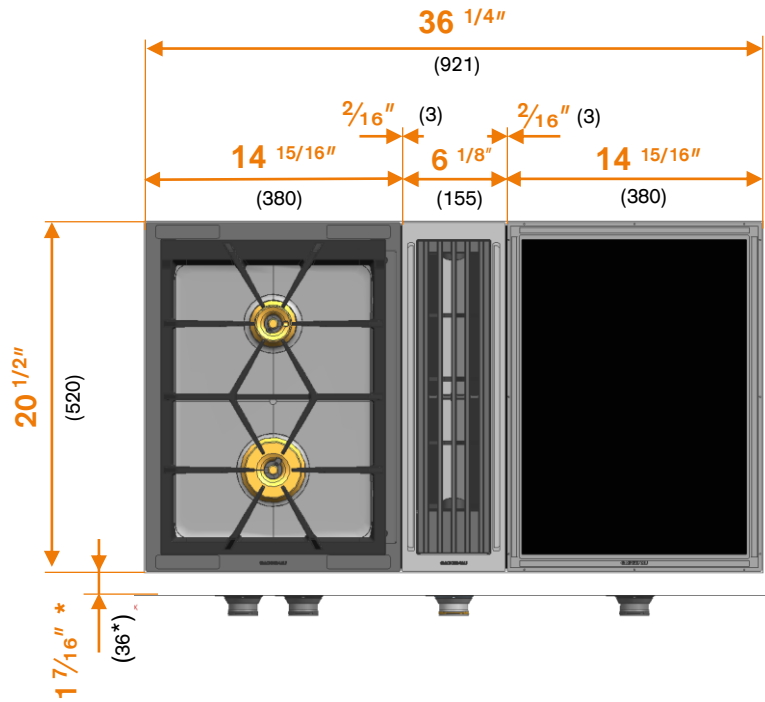
BSH Hausgeräte GmbH, Carl-Wery-Straße 34, 81739 Munich, Germany  
 Chairman of the Supervisory: Prof. Dr. Stefan Asenkerschbaumer  
 Directors: Dr. Carla Kriwet (Chairman), Dr. Gerhard Dambach, Matthias Ginthum, Dr. Silke Maurer  
 Registered Office: Munich; Registry Court: Amtsgericht München, HRB 75534 WEEE-Reg.-Nr. DE 57986696

The drawing is provided only as an example.  
 Please pay attention to the technical installation drawings in the Gaggenau Models and Dimensions. The technical drawings are not based on customer data and are merely for installation recommendation. The exact installation must be verified by the kitchen studio on an individual customer basis.

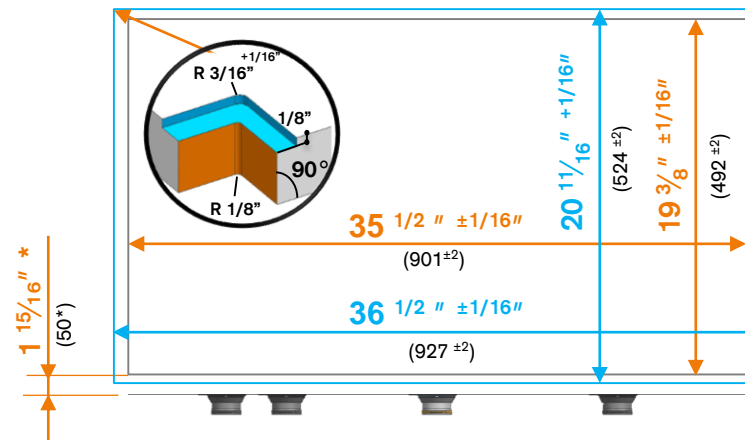
17. Januar 2023

Configuration	VL 414 712 - AR 400 742 - 2 Varios	Min. Work depth	25 9/16" (650 mm)	Ventilation mode	Extraction
Type reference cooktops	VG 425 211 CA - VI 414 613	Type reference ventilation appliance	VL 414 712	Type reference remote fan unit	AR 400 742

## Top view



Cut out dimension. Flush mounting

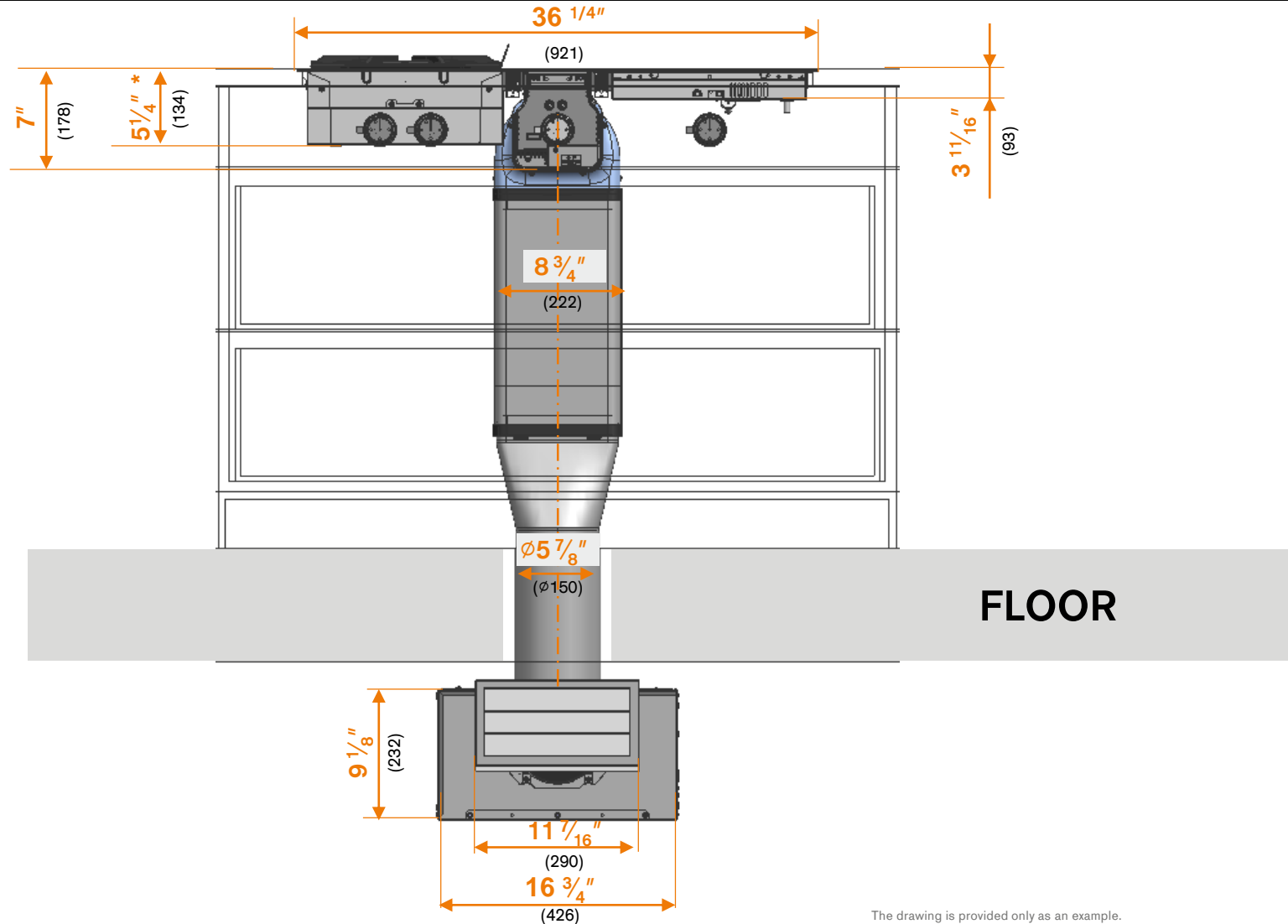


\* : Recommended distance. Distance can be adjusted  
(inside parenthesis) = mm

17. Januar 2023

Configuration	VL 414 712 - AR 400 742 - 2 Varios	Min. Work depth	25 <sup>9</sup> / <sub>16</sub> " (650 mm)	Ventilation mode	Extraction
Type reference cooktops	VG 425 211 CA - VI 414 613	Type reference ventilation appliance	VL 414 712	Type reference remote fan unit	AR 400 742

Front view

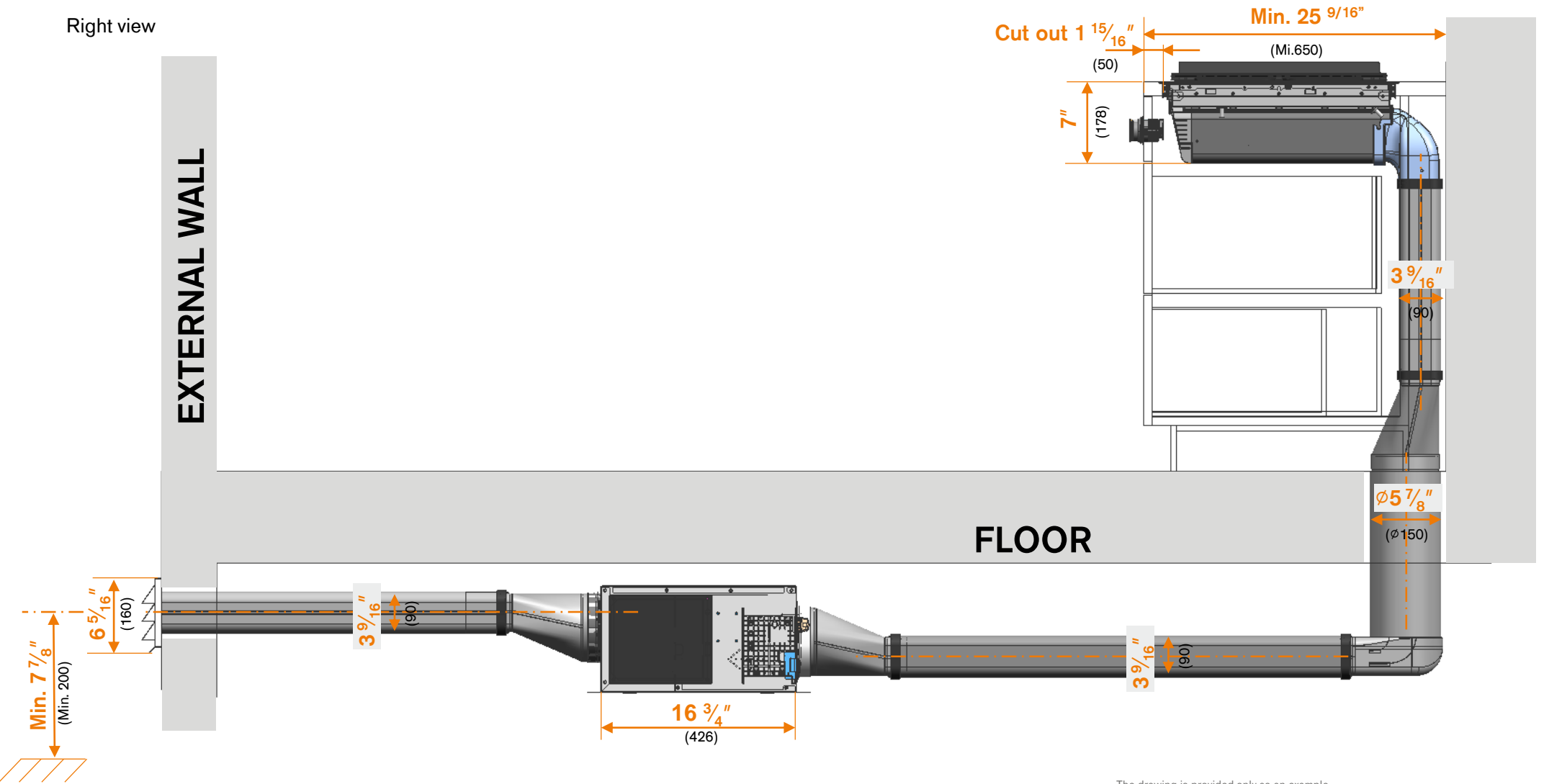


\* : For flush mounted

17. Januar 2023

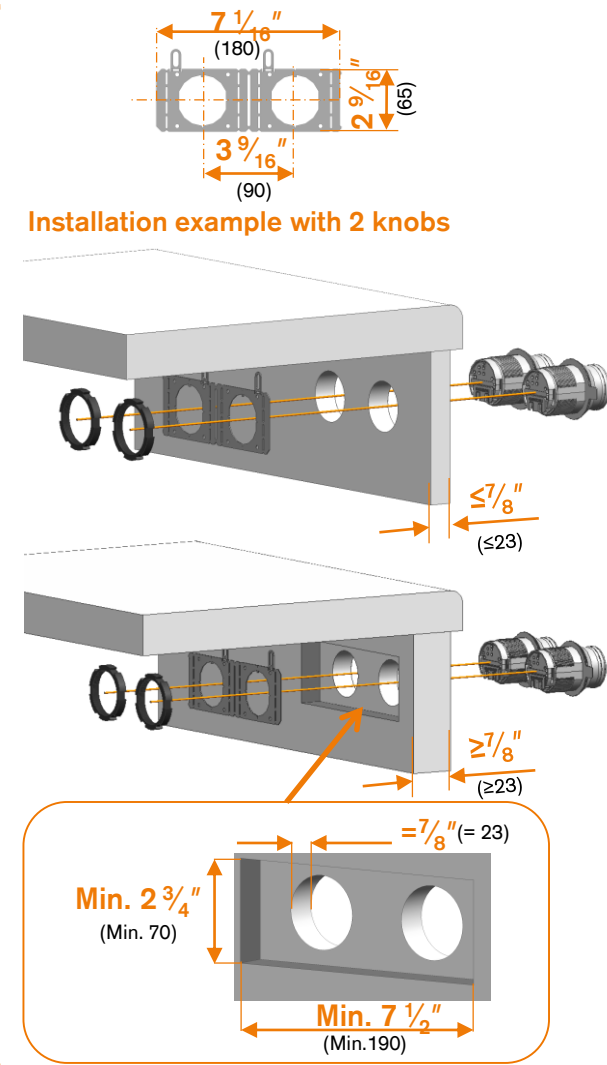
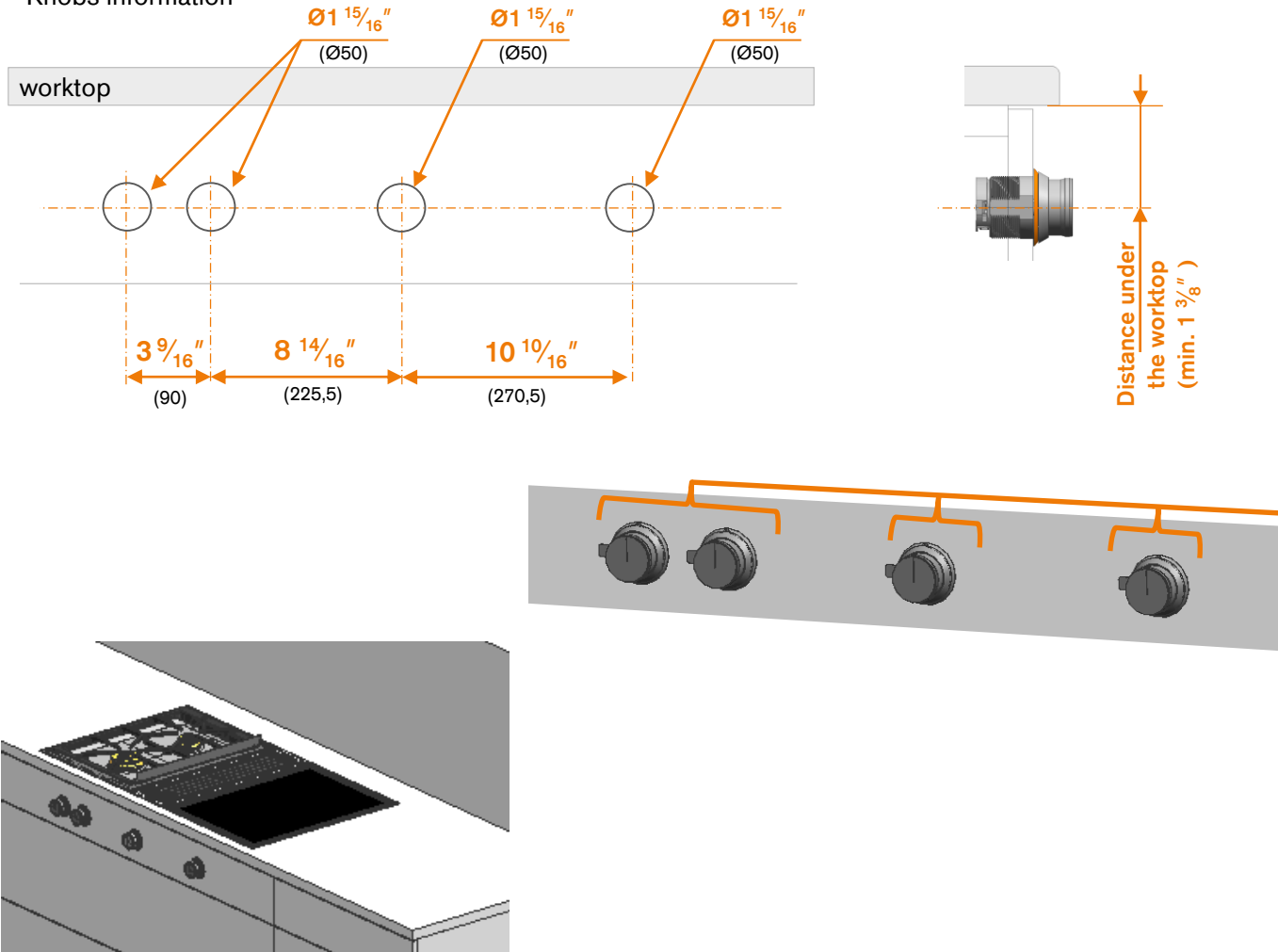
Configuration	VL 414 712 - AR 400 742 - 2 Varios	Min. Work depth	25 <sup>9</sup> / <sub>16</sub> " (650 mm)	Ventilation mode	Extraction
Type reference cooktops	VG 425 211 CA - VI 414 613	Type reference ventilation appliance	VL 414 712	Type reference remote fan unit	AR 400 742

Right view



Configuration	VL 414 712 - AR 400 742 - 2 Varios	Min. Work depth	25 <sup>9</sup> / <sub>16</sub> " (650 mm)	Ventilation mode	Extraction
Type reference cooktops	VG 425 211 CA - VI 414 613	Type reference ventilation appliance	VL 414 712	Type reference remote fan unit	AR 400 742

## Knobs information



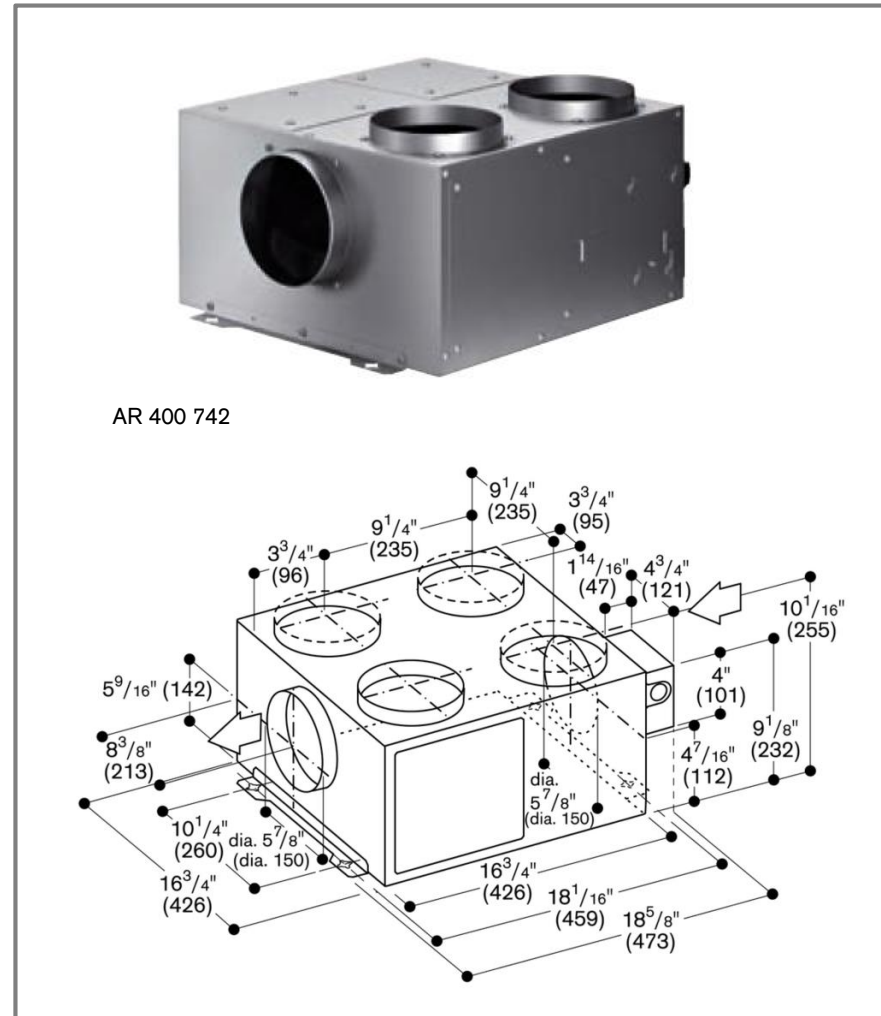
The drawing is provided only as an example. Please pay attention to the technical installation drawings in the Gaggenau Models and Dimensions. The technical drawings are not based on customer data and are merely for installation recommendation. The exact installation must be verified by the kitchen studio on an individual customer basis.

BSH Hausgeräte GmbH, Carl-Wery-Straße 34, 81739 Munich, Germany  
 Chairman of the Supervisory : Prof. Dr. Stefan Asenkerschbaumer  
 Directors : Dr. Carla Kriwet (Chairman), Dr. Gerhard Dambach, Matthias Ginthum, Dr. Silke Maurer  
 Registered Office : Munich; Registry Court : Amtsgericht München, HRB 75534 WEEE-Reg.-Nr. DE 57986696

17. Januar 2023

Configuration	VL 414 712 - AR 400 742 - 2 Varios	Min. Work depth	25 9/16" (650 mm)	Ventilation mode	Extraction
Type reference cooktops	VG 425 211 CA - VI 414 613	Type reference ventilation appliance	VL 414 712	Type reference remote fan unit	AR 400 742

Information about remote fan unit AR 400 742



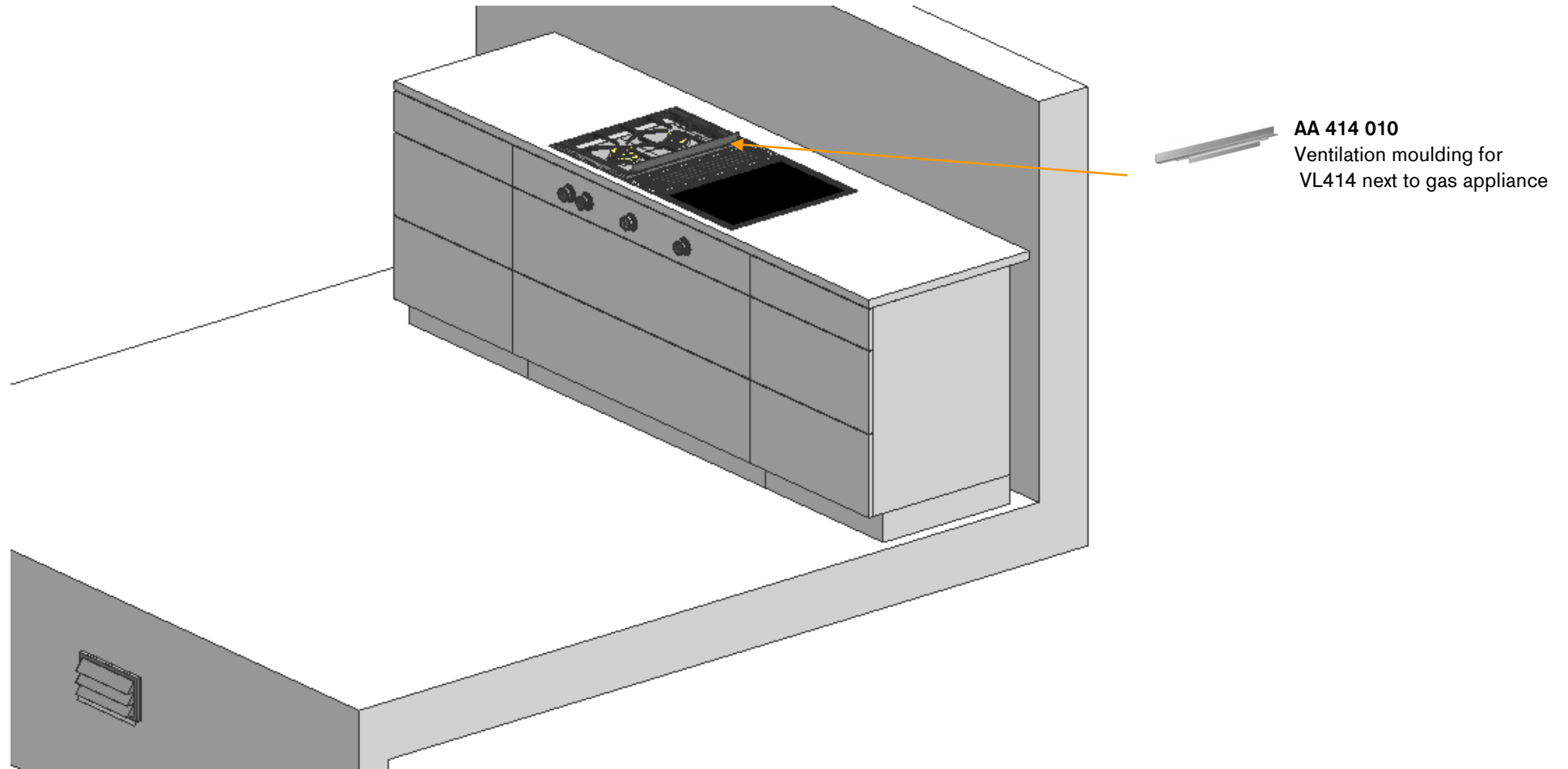
AR 400 742

BSH Hausgeräte GmbH, Carl-Wery-Straße 34, 81739 Munich, Germany  
 Chairman of the Supervisory : Prof. Dr. Stefan Asenkerschbaumer  
 Directors : Dr. Carla Kriwet (Chairman), Dr. Gerhard Dambach, Matthias Ginthum, Dr. Silke Maurer  
 Registered Office : Munich; Registry Court : Amtsgericht München, HRB 75534 WEEE-Reg.-Nr. DE 57986696

The drawing is provided only as an example.  
 Please pay attention to the technical installation drawings in the Gaggenau Models and Dimensions. The technical drawings are not based on customer data and are merely for installation recommendation. The exact installation must be verified by the kitchen studio on an individual customer basis.

17. Januar 2023

Configuration	VL 414 712 - AR 400 742 - 2 Varios	Min. Work depth	25 <sup>9</sup> / <sub>16</sub> " (650 mm)	Ventilation mode	Extraction
Type reference cooktops	VG 425 211 CA - VI 414 613	Type reference ventilation appliance	VL 414 712	Type reference remote fan unit	AR 400 742

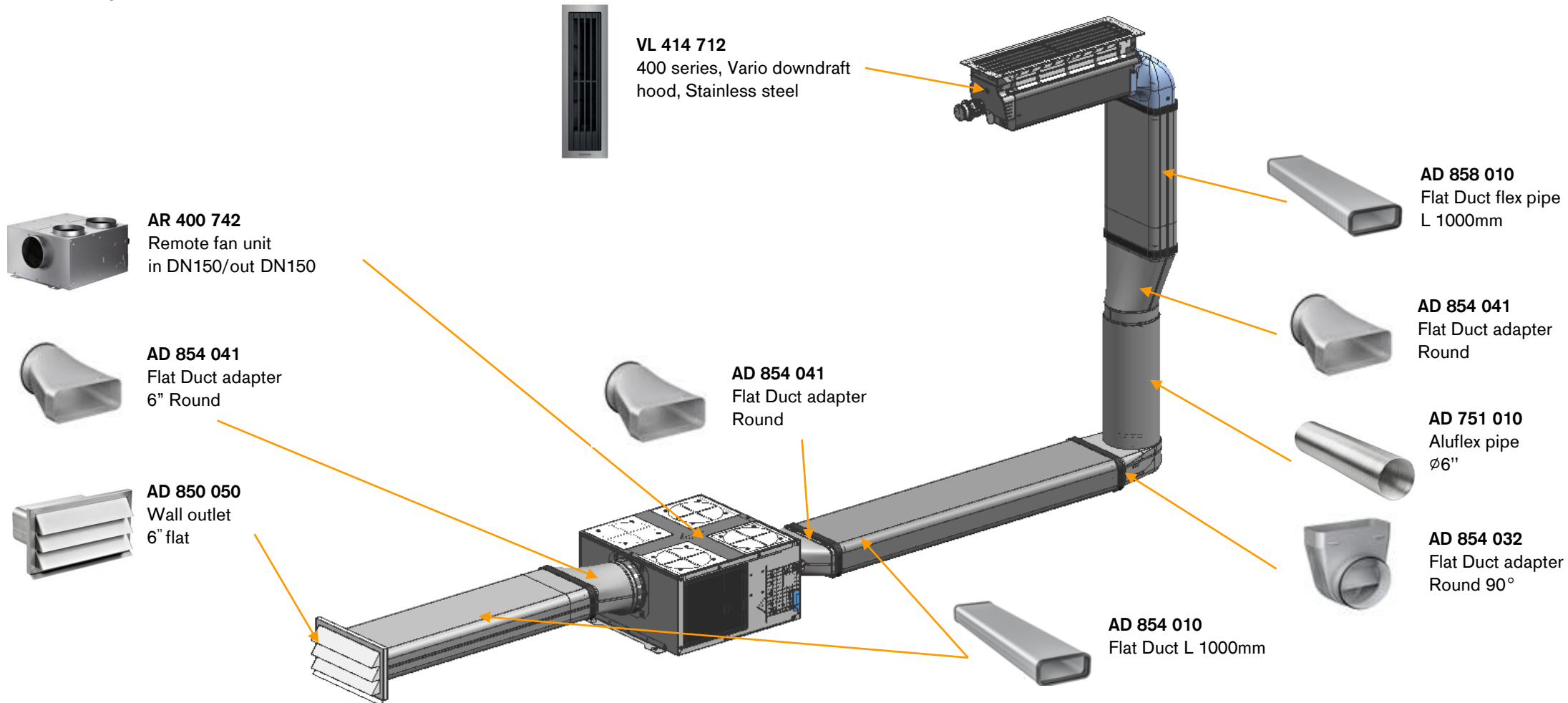




17. Januar 2023

Configuration	VL 414 712 - AR 400 742 - 2 Varios	Min. Work depth	25 <sup>9</sup> / <sub>16</sub> " (650 mm)	Ventilation mode	Extraction
Type reference cooktops	VG 425 211 CA - VI 414 613	Type reference ventilation appliance	VL 414 712	Type reference remote fan unit	AR 400 742

## Mounting information



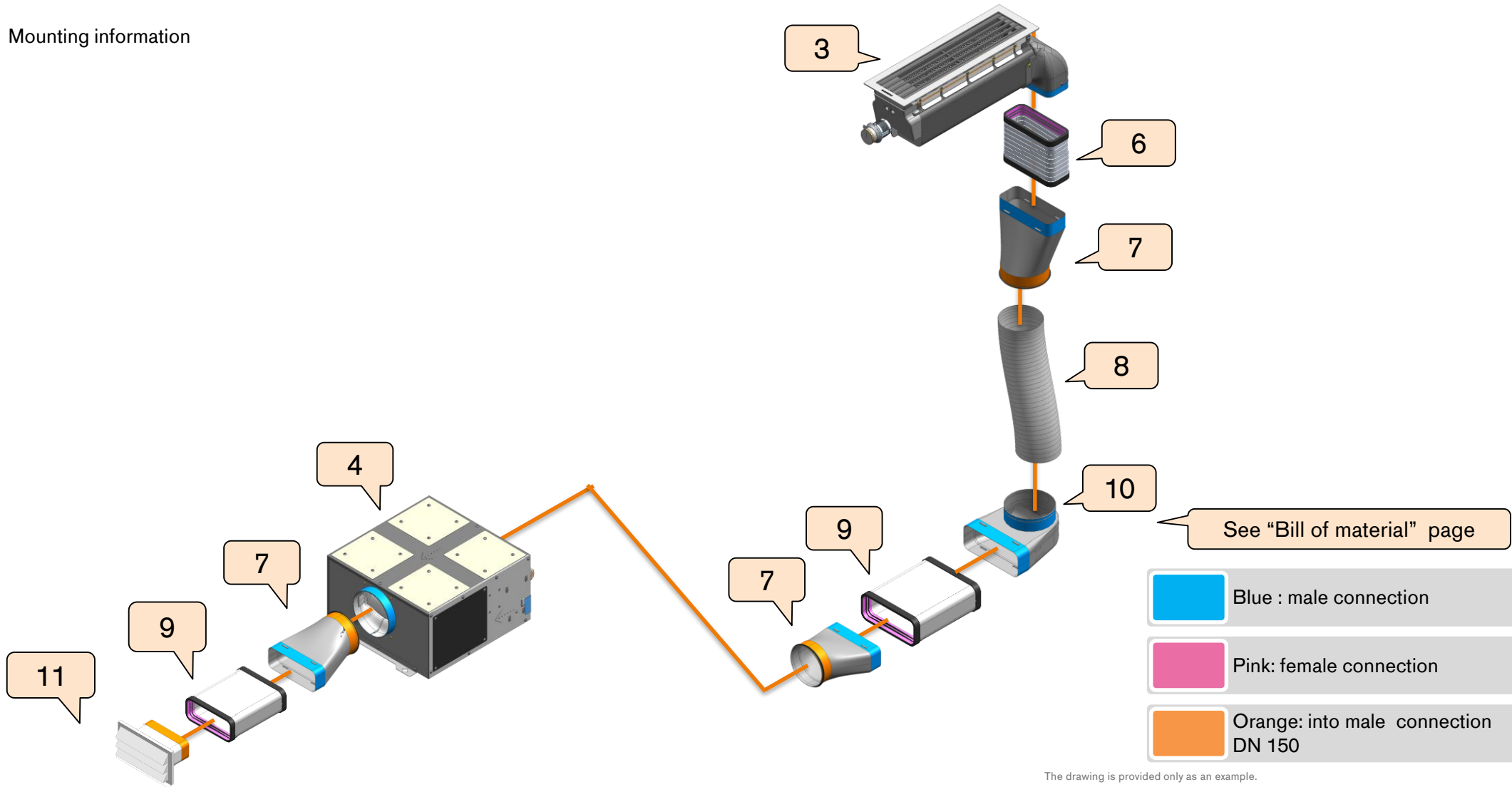
BSH Hausgeräte GmbH, Carl-Wery-Straße 34, 81739 Munich, Germany  
 Chairman of the Supervisory: Prof. Dr. Stefan Asenkerschbaumer  
 Directors: Dr. Carla Kriwet (Chairman), Dr. Gerhard Dambach, Matthias Ginthum, Dr. Silke Maurer  
 Registered Office: Munich; Registry Court: Amtsgericht München, HRB 75534 WEEE-Reg.-Nr. DE 57986696

The drawing is provided only as an example.  
 Please pay attention to the technical installation drawings in the Gaggenau Models and Dimensions. The technical drawings are not based on customer data and are merely for installation recommendation. The exact installation must be verified by the kitchen studio on an individual customer basis.

17. Januar 2023

Configuration	VL 414 712 - AR 400 742 - 2 Varios	Min. Work depth	25 9/16" (650 mm)	Ventilation mode	Extraction
Type reference cooktops	VG 425 211 CA - VI 414 613	Type reference ventilation appliance	VL 414 712	Type reference remote fan unit	AR 400 742

## Mounting information



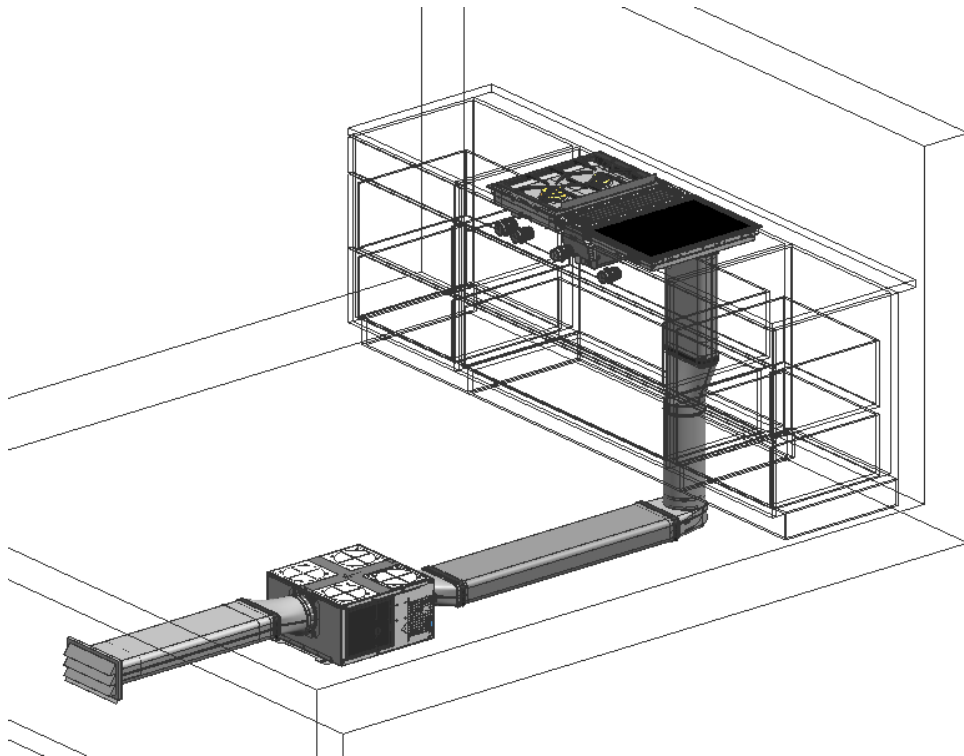
BSH Hausgeräte GmbH, Carl-Wery-Straße 34, 81739 Munich, Germany  
 Chairman of the Supervisory : Prof. Dr. Stefan Asenkerschbaumer  
 Directors : Dr. Carla Kriwet (Chairman), Dr. Gerhard Dambach, Matthias Ginthum, Dr. Silke Maurer  
 Registered Office : Munich; Registry Court : Amtsgericht München, HRB 75534 WEEE-Reg.-Nr. DE 57986696

The drawing is provided only as an example.  
 Please pay attention to the technical installation drawings in the Gaggenau Models and Dimensions. The technical drawings are not based on customer data and are merely for installation recommendation. The exact installation must be verified by the kitchen studio on an individual customer basis.

17. Januar 2023

Configuration	VL 414 712 - AR 400 742 - 2 Varios	Min. Work depth	25 <sup>9</sup> / <sub>16</sub> " (650 mm)	Ventilation mode	Extraction
Type reference cooktops	VG 425 211 CA - VI 414 613	Type reference ventilation appliance	VL 414 712	Type reference remote fan unit	AR 400 742

## Bill of material



Position	Quantity	Part number	Appliance Design / Accessories Design
1	1	<b>VI 414 613</b>	Vario induction wok cooktop 400 Series
2	1	<b>VG 425 211 CA</b>	Vario Gas cooktop 400 Series
3	1	<b>VL 414 712</b>	Vario Downdraft ventilation 400 series
4	1	<b>AR 400 742</b>	Remote fan unit in DN150/out DN150
5	2	<b>VA 420 000</b>	Vario Connection strip for flush mounting
6	1	<b>AD 858 010</b>	Flat Duct flex pipe L 1000mm
7	3	<b>AD 854 041</b>	Flat Duct adapter Round
8	1	<b>AD 751 010</b>	Aluflex pipe DN150
9	3	<b>AD 854 010</b>	Flat Duct L 1000mm
10	1	<b>AD 854 032</b>	Flat Duct adapter Round 90°
11	1	<b>AD 850 050</b>	Wall outlet 6" flat
12	1	<b>AA 414 010</b>	Ventilation moulding for VL414 next to gas appliance
13	1	<b>AD 990 091</b>	Adhesive tape for duct components Aluminium