



RW 404 760

Under-counter unit with stainless steel-framed glass door
Width 23 5/8" (60cm)

Included accessories

3 bottle drawers.

Optional accessories

RA 491 630

Extendable bottle tray in beech with aluminum profiles.

This fourth drawer can be installed above the temperature divider.

RA 050 200

Replacement activated charcoal air filters (set of 2) for upper and lower temperature zone.

Wine storage unit

RW 404

- Two individual temperature zones, both continuously variable
- Consistent temperatures with exact control from 41°F to 64°F
- Extendable bottle trays in beech and aluminum
- Presentation light option
- Door lock

Operation

Electronic precision temperature control with digital temperature display.

Lighting is integrated into the ceiling and control panel and can be switched on even when the door is closed.

Interior light dims automatically when opening and closing the door.

Technical features

Dynamic cool air distribution with Multi-Flow Air System.

Humidity control.

2 activated charcoal air filters, one per zone.

UV-protection.

Energy-saving vacation mode.

Open-door and malfunction warning system.

Features

Net volume 4.4 cu.ft.

Capacity 41 bottles (based on standard bottles).

5 bottle trays, three of which are extendable.

Storage of magnum bottles possible.

Planning notes

Door hinge right, reversible.

Height-adjustable feet.

Door opens up to 95° and can be fixed.

For integration next to a side wall a clearance of 5 7/8" hinge side is necessary.

Plan a power outlet outside of the cut-out niche.

Consumption data

Energy consumption 0.6 kWh/24 h.; annually 253 kWh.

Noise level 42 dB.

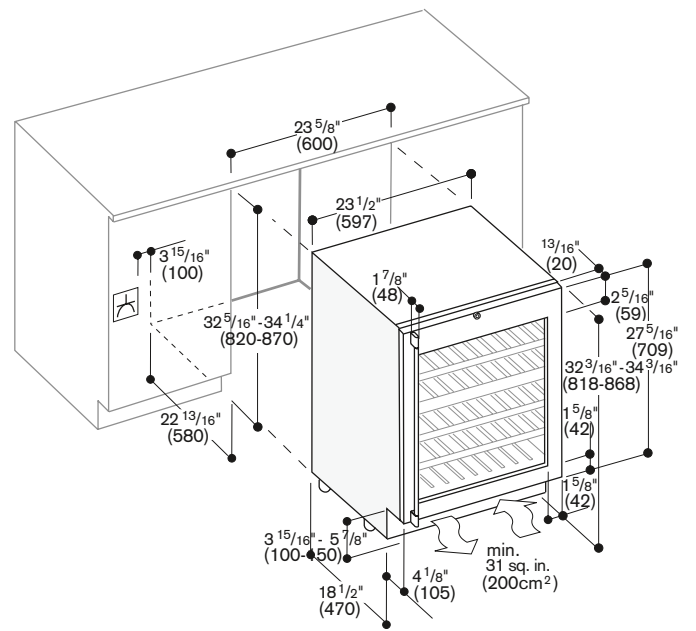
Rating

Total rating 0.200 kW.

Total Amps: 10 A.

115 V / 60 Hz

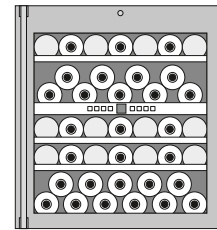
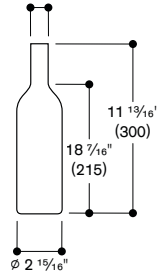
Connecting cable 71" with plug.



Bottle storage

0.195 Gallon
(0.75 Liter)

∅ 1 3/16"
(30)



Numbers indicated inside parenthesis () = mm