



Wine climate cabinet 200 series
RW 204

RW 204 770

Fully integrated, with glass door, under-counter, handle required. Cut out width 23 5/8" (60 cm). Cut out height 33 7/8" (86 cm).

Optional accessories

GH 050 010

Handle bar, stainless steel. With 2 mounts, length 19 1/16" (500 mm), height 1 15/16" (49 mm), drilling distance between the mounts 18 3/8" (477 mm).

RA 250 220

Replacement activated charcoal air filter.

RA 297 600

Accessory for side-by-side installation of two under-counter wine climate cabinets.

RA 220 010

Door lock. For RW 204.

Part No. 00624562

Pin for door opening angle fixation at 90°.

Highlights

- 2 independently controllable climate zones.
- Consistent temperatures with exact control from 41° F to 68° F (5 °C to 20 °C).
- Humidity control.
- Extendable bottle trays made of oak wood and aluminum.
- Adjustable LED lighting.
- Soft-close door closing system.
- Capacity 38 bottles (based on 0.75 l standard bottles).
- Side-by-side installation possible with special accessory.

Operation

Electronic temperature control with digital display. Touch keys. Presentation light option, dimmable. Interior LED lighting (3000 K) with automatic dimming with opening and closing of door. Lockable door (with door lock RA 220 010).

Technical features

Dynamic cold air distribution. Automatic defrosting with defrost water evaporation. Constant air purification by activated charcoal air filter in each climate zone. UV protection (UV transmission: 19 %). Sabbath mode certified by Star-K. Open-door and malfunction alarm.

Features

5 bottle trays, of that 4 are extendable. Storage of magnum bottles possible (up to 4 magnum bottles). LED lighting. Total volume: 4.6 cu. ft. (123 l).

Consumption data

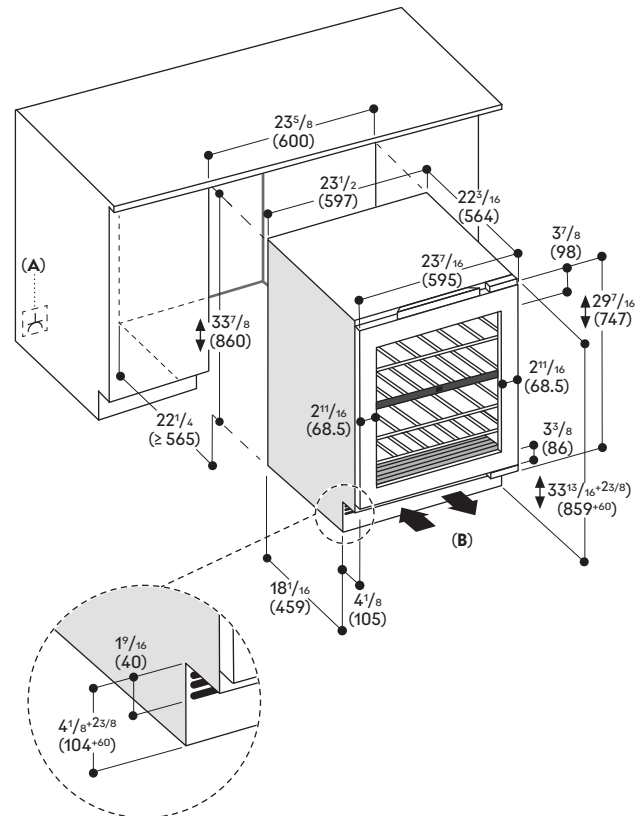
Energy consumption 170 kWh/year. Noise level 38 dB (A) re 1 pW.

Planning notes

Flat hinge. Door hinge right, reversible. Height-adjustable feet. Door opening angle of 115°, fixable at 90°. Max. door panel frame weight 22 lbs (10 kg). For integration next to a side wall a clearance of 1/4" (7 mm) / 9 3/8" (238 mm) hinge side for door panel thickness of 3/4" (19 mm) at 90° / 115° without handle.

Rating

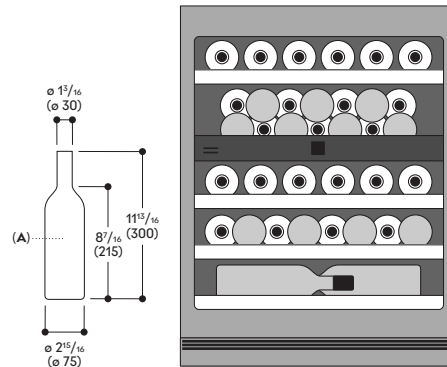
Total amps: 10 A. 120 V / 60 Hz. Connecting cable 70 7/8" (1.8m), with plug.



A: Electrical hook-up

B: Ventilation cross section min. 5 7/8 in² (150 mm²)

Bottle storage



A: 25.4 fl oz (0.75 liters)

