



**Vario wine climate cabinet**  
Gaggenau Expressive series  
**RVW 467**

**RVW 467 770**

Fully integrated, panel ready, with glass door.  
Door hinge right, reversible with RVA 466 610 accessory for door direction change.  
Cut out width 24" (61 cm).  
Cut out height 84" (213.4 cm).

**Included accessories**

- 2 bottle supports, placement on division plate.
- 2 presenters to stage wine bottles.
- 1 removable oak wood tray.
- 1 wine glass holder.
- 1 activated charcoal air filter.

**Required accessories**

**RVA 460 000**

Required accessory for Expressive series side-by-side installation.

**RVA 466 610**

Accessory for door direction change. For 24" (61 cm) wide RVW.

**Installation accessories**

**RVA 421 622L**

Dark brushed stainless steel door panel frame with handle. For 24" (61 cm) wide appliances, left-hinged, panel thickness 3/8" (19 mm).

**RVA 421 622R**

Dark brushed stainless steel door panel frame with handle. For 24" (61 cm) wide appliances, right-hinged, panel thickness 3/8" (19 mm).

**RVA 428 622**

Dark brushed stainless steel door panel frame, handleless. For 24" (61 cm) wide appliances, panel thickness 3/8" (19 mm).

**RVA 420 010**

Door lock. For RVW 467 and RVW 417.

**RVA 430 000**

Screw hole cover set. 8 pieces.

**RA 425 110**

Handle bar, stainless steel, long. With 3 mounts, length 44 1/2" (1131 mm), height 1 5/16" (49 mm), drilling distance between each mount 21 13/16" (554 mm).



**RA 460 020**

Connecting element for vertically split appliance fronts (for a flush front).

**RVA 460 020**

Accessory for side-by-side installation, backward compatible. Required if a Vario cooling Expressive series appliance is installed side-by-side with a Vario cooling 400 series appliance.

**Optional accessories**

**RVA 450 220**

Activated charcoal air filter.

**RVA 491 660**

Fully extendable bottle tray with hidden telescopic rails. Oak wood and aluminum in anthracite. Soft-close system. For 24" (61 cm) wide appliances.

**RVA 493 060**

Presenter to stage one wine bottle. Oak wood and aluminum in anthracite. 1 piece.

**RVA 494 060**

Removable oak wood tray. Suitable for presenting decanters and open bottles. For RVW 467 and RVW 417.

**RVA 495 000**

Wine glass holder. For RVW 467 and RVW 417.

**RVA 498 660**

Bottle support for convenient storage on the division plate. Oak wood and aluminum in anthracite. For 24" (61 cm) wide appliances.

**Highlights**

- Dark brushed stainless steel interior.
- Warm white and glare-free LED lighting concept for optimal wine presentation in all climate zones.
- 3 pre-defined light scenarios and individual light settings to perfectly integrate into living environment.
- Opening assist for door with two options:
  1. Push-to-open function for integration into handleless cabinet front
  2. Pull-to-open function to facilitate opening the door using a handle
- Fully-extendable bottle trays with hidden telescopic rails and Soft-close drawer system.
- Bottle trays made of oak wood and solid aluminum in anthracite.
- Automatic tempering programs (sensor-based) for achieving precise drinking temperature.
- 3 independently controllable climate zones. Top and center zones have automatic tempering programs.
- Consistent temperatures with exact control from +41 °F to +68 °F (+5 °C to +20 °C) (manual mode) and from +37 °F to +68 °F (+3 °C to +20 °C) (automatic tempering programs).
- Humidity control.
- Low-vibration operation for optimal long term storage conditions.
- Full touch TFT display.
- ENERGY STAR® certified.
- Sabbath mode Star-K certification pending.
- Capacity 110 bottles (based on 0.75 l standard bottles).

**Operation**

Opening assist for door.  
Soft-close door closing system.  
User guidance through light and display responses during operation.  
Automatic brightness adjustment based on ambient illumination when opening the door.  
Easily accessible full touch TFT display with clear text.  
Animated quick guides to assist appliance usage and maintenance.  
Lockable door (with door lock RVA 420 010).

**Technical features**

Dynamic cold air distribution.  
Automatic defrosting with defrost water evaporation.  
Infrared sensor for automatic wine tempering programs.  
Constant air purification by activated charcoal air filter in each climate zone.  
UV protection (UV transmission: 19 %).  
Sabbath mode Star-K certification pending.  
When sabbath mode is active, the appliance can only be opened using a handle.  
Open-door and malfunction alarm.

**Selected digital services**

**(Gaggenau Home Connect)**  
Remote control and monitoring.  
Personalization function for saving custom automatic tempering programs.  
Pre-defined light scenarios with individualization possibility (Favorites).

**Features**

10 bottle trays, of that 8 are fully extendable.  
Space for max. 11 bottle trays.  
Flexible interior configuration possible with a variety of special accessories.  
Storage of magnum bottles possible on every tray (up to 4 magnum bottles).  
Optimal wine presentation with warm white and glare-free, hidden LED light bars (3000 K) in each climate zone.  
Removable oak wood tray for presenting open bottles or decanters.  
Presenter to stage one wine bottle.  
Total volume 14 cu.ft.

**Consumption data**

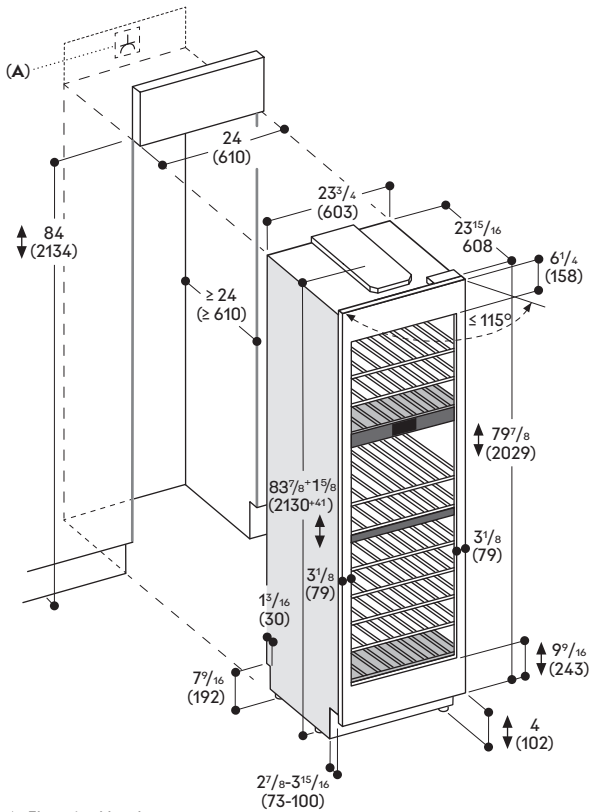
Energy consumption 185 kWh/year.  
Noise level 38 dB (A) re 1 pW.

**Planning notes**

Flat hinge.  
Door hinge right, reversible with RVA 466 610 accessory for door direction change. If using the dark brushed stainless steel door panels with a handle, select the correct panel for the intended hinge side of the RVW.  
Door opening angle of 115°, fixable at 90°.  
Max. door panel frame weight 156 lbs. (71 kg).  
No transport/operation above 6,500 ft.

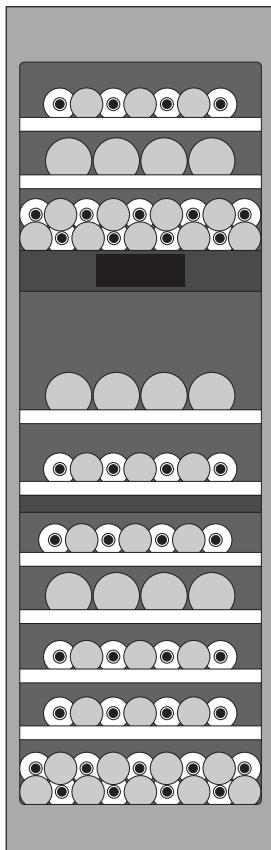
**Rating**

Total rating 507 W/24 h.  
Total amps: 10 A.  
120 V / 60 Hz.  
Connecting cable 118" (3.0 m), detachable.  
Electrical location 6" above ground in lower left corner of unit.

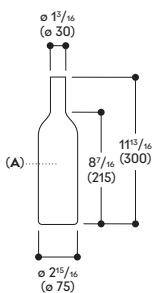
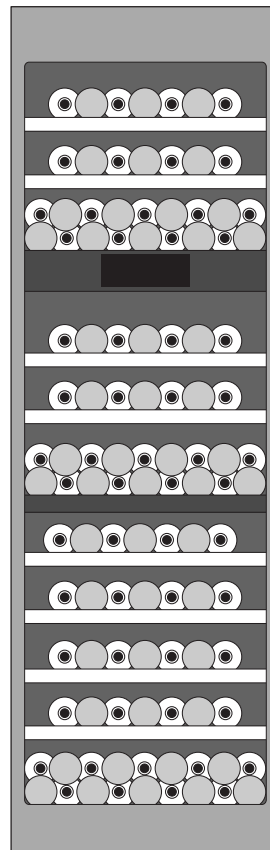


The maximum door panel dimensions are based on a clearance of 1/8" (3 mm)  
 The height of the toe kick can be reduced to 2" (50 mm)

**Bottle storage (default configuration)**



**Bottle storage (maximum capacity)**



All levels are suitable for storage of magnum bottles 50.7 fl oz (1.5 liters)  
**A:** 25.4 fl oz (0.75 liters)

Numbers indicated inside parenthesis ( ) = mm