



Vario wine climate cabinet
Gaggenau Expressive series
RVW 417

RVW 417 770

Fully integrated, panel ready, with glass door.
 Door hinge right, reversible with RVA 466 110 accessory for door direction change.
 Cut out width 18" (45.7 cm).
 Cut out height 84" (213.4 cm).

Included accessories

- 2 bottle supports, placement on division plate.
- 2 presenters to stage wine bottles.
- 1 removable oak wood tray.
- 1 activated charcoal air filter.

Required accessories

RVA 460 000

Required accessory for Expressive series side-by-side installation.

RVA 466 110

Accessory for door direction change. For 18" (45.7 cm) wide RVW.

Installation accessories

RVA 421 122L

Dark brushed stainless steel door panel frame with handle. For 18" (45.7 cm) wide appliances, left-hinged, panel thickness 3/4" (19 mm).

RVA 421 122R

Dark brushed stainless steel door panel frame with handle. For 18" (45.7 cm) wide appliances, right-hinged, panel thickness 3/4" (19 mm).

RVA 428 122

Dark brushed stainless steel door panel frame, handleless. For 18" (45.7 cm) wide appliances, panel thickness 3/4" (19 mm).

RVA 420 010

Door lock. For RVW 467 and RVW 417.

RVA 430 000

Screw hole cover set. 8 pieces.

RA 425 110

Handle bar, stainless steel, long. With 3 mounts, length 44 1/2" (1131 mm), height 1 5/16" (49 mm), drilling distance between each mount 21 13/16" (554 mm).

RA 460 020

Connecting element for vertically split appliance fronts (for a flush front).



RVA 460 020

Accessory for side-by-side installation, backward compatible. Required if a Vario cooling Expressive series appliance is installed side-by-side with a Vario cooling 400 series appliance.

Optional accessories

RVA 450 220

Activated charcoal air filter.

RVA 491 160

Fully extendable bottle tray with hidden telescopic rails. Oak wood and aluminum in anthracite. Soft-close system. For 18" (45.7 cm) wide appliances.

RVA 493 060

Presenter to stage one wine bottle. Oak wood and aluminum in anthracite. 1 piece.

RVA 494 060

Removable oak wood tray. Suitable for presenting decanters and open bottles. For RVW 467 and RVW 417.

RVA 495 000

Wine glass holder. For RVW 467 and RVW 417.

RVA 498 160

Bottle support for convenient storage on the division plate. Oak wood and aluminum in anthracite. For 18" (45.7 cm) wide appliances.

Highlights

- Dark brushed stainless steel interior.
- Warm white and glare-free LED lighting concept for optimal wine presentation in all climate zones.
- 3 pre-defined light scenarios and individual light settings to perfectly integrate into living environment.
- Opening assist for door with two options:
 1. Push-to-open function for integration into handleless cabinet front
 2. Pull-to-open function to facilitate opening the door using a handle
- Fully-extendable bottle trays with hidden telescopic rails and Soft-close drawer system.
- Bottle trays made of oak wood and solid aluminum in anthracite.
- Automatic tempering programs (sensor-based) for achieving precise drinking temperature.
- 3 independently controllable climate zones. Top and center zones have automatic tempering programs.
- Consistent temperatures with exact control from +41 °F to +68 °F (+5 °C to +20 °C) (manual mode) and from +37 °F to +68 °F (+3 °C to +20 °C) (automatic tempering programs).
- Humidity control.
- Low-vibration operation for optimal long term storage conditions.
- Full touch TFT display.
- ENERGY STAR® certified.
- Sabbath mode Star-K certification pending.
- Capacity 68 bottles (based on 0.75 l standard bottles).

Operation

Opening assist for door.
 Soft-close door closing system.
 User guidance through light and display responses during operation.
 Automatic brightness adjustment based on ambient illumination when opening the door.
 Easily accessible full touch TFT display with clear text.
 Animated quick guides to assist appliance usage and maintenance.
 Lockable door (with door lock RVA 420 010).

Technical features

Dynamic cold air distribution.
 Automatic defrosting with defrost water evaporation.
 Infrared sensor for automatic wine tempering programs.
 Constant air purification by activated charcoal air filter in each climate zone.
 UV protection (UV transmission: 19 %).
 Sabbath mode Star-K certification pending.
 When sabbath mode is active, the appliance can only be opened using a handle.
 Open-door and malfunction alarm.

Selected digital services (Gaggenau Home Connect)

Remote control and monitoring.
 Personalization function for saving custom automatic tempering programs.
 Pre-defined light scenarios with individualization possibility (Favorites).

Features

10 bottle trays, of that 8 are fully extendable.
 Space for max. 11 bottle trays.
 Flexible interior configuration possible with a variety of special accessories.
 Storage of magnum bottles possible on every tray (up to 2 magnum bottles).
 Optimal wine presentation with warm white and glare-free, hidden LED light bars (3000 K) in each climate zone.
 Presenter to stage one wine bottle.
 Total volume 9.9 cu.ft.

Consumption data

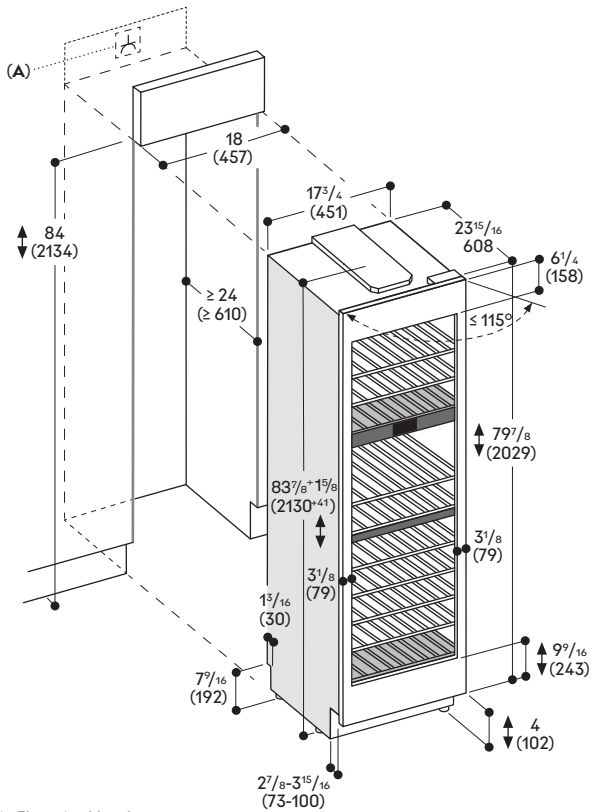
Energy consumption 162 kWh/year.
 Noise level 38 dB (A) re 1 pW.

Planning notes

Flat hinge.
 Door hinge right, reversible with RVA 466 110 accessory for door direction change. If using the dark brushed stainless steel door panels with a handle, select the correct panel for the intended hinge side of the RVW.
 Door opening angle of 115°, fixable at 90°.
 Max. door panel frame weight 163 lbs. (74 kg).
 No transport/operation above 6,500 ft.

Rating

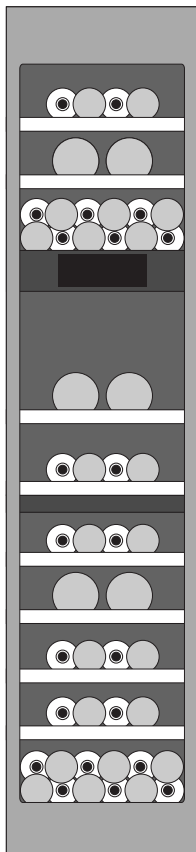
Total rating 444 W/24 h.
 Total amps: 10 A.
 120 V / 60 Hz.
 Connecting cable 118" (3.0 m), detachable.
 Electrical location 6" above ground in lower left corner of unit.



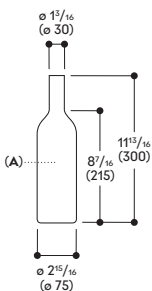
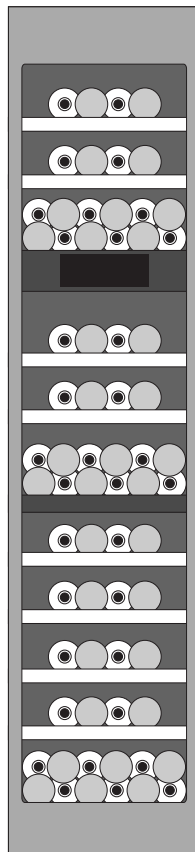
A: Electrical hook-up

The maximum door panel dimensions are based on a clearance of 1/8" (3 mm)
 The height of the toe kick can be reduced to 2" (50 mm)

Bottle storage (default configuration)



Bottle storage (maximum capacity)



All levels are suitable for storage of magnum bottles 50.7 fl oz (1.5 liters)
A: 25.4 fl oz (0.75 liters)

Numbers indicated inside parenthesis () = mm

www.gaggenau.com/us
 Revised: April 2026

Gaggenau reserves the absolute and unrestricted right to change product materials and specifications, at any time, without notice. Consult the product's installation instructions for final dimensional data and other details prior to making cut out. Warranties: Please see Use & Care manual or Gaggenau website for statement of limited product warranty. For more information on our entire line of products, go to www.gaggenau.com or call 1-877-442-4436.