



Vario freezer Gaggenau Expressive series RVF 497

RVF 497 790

Fully integrated, panel ready, with ice maker.

Door hinge left, reversible, with RVA 466 900 accessory for door direction change.

Cut out width 35 1/2" (90 cm).
Cut out height 84" (213.4 cm).

Included accessories

- 1 ice cube scoop.
- 1 ice storage container.
- 1 supply hose, 70 7/8" (1.8 m) with 1/4" female compression fitting.
- 1 activated charcoal water filter.

Required accessories

RVA 460 000

Required accessory for Expressive series side-by-side installation.

RVA 466 900

Accessory for door direction change. For 35 3/16" (89.4 cm) wide RVC and RVF.

Installation accessories

RVA 421 924

Dark brushed stainless steel door panel with handle. For 35 3/16" (89.4 cm) wide appliances, panel thickness 3/4" (19 mm).

RVA 428 924

Dark brushed stainless steel door panel, handleless. For 35 3/16" (89.4 cm) wide appliances, panel thickness 3/4" (19 mm).

RA 425 110

Handle bar, stainless steel, long. With 3 mounts, length 44 1/2" (1131 mm), height 1 13/16" (49 mm), drilling distance between each mount 21 13/16" (554 mm).

RVA 423 141

Side trims used to conceal the gap between the appliance and adjacent cabinet. 1/8" (3 mm), 2 pieces.

RA 460 020

Connecting element for vertically split appliance fronts (for a flush front).

RVA 460 900

Accessory for replacing side-by-side installation in unmodified cut out. Required if an RVY 497, RVB 497, RVC 497 or RVF 497 (35 3/16" (89.4 cm) wide) is installed side-by-side into a cut out which was formerly housing a combination including an RY 492, RB 492 or RC 492 (35 3/4" (90.8 cm) wide).

RVA 460 910

Accessory for replacement in single unmodified cut out. Required if an RVY 497, RVB 497, RVC 497 or RVF 497 (35 3/16" (89.4 cm) wide) is replacing an RY 492, RB 492 or RC 492 (35 3/4" (90.8 cm) wide).

RVA 460 020

Accessory for side-by-side installation, backward compatible. Required if a Vario cooling Expressive series appliance is installed side-by-side with a Vario cooling 400 series appliance.

Optional accessories

RA 450 022

Activated charcoal water filter. For RVY, RVB and RVF.

Part No. 11049963

Water filter bypass for home water filtration system.

Highlights

- Dark brushed stainless steel interior, refined with solid anthracite aluminum elements.
- Warm white and glare-free LED lighting concept for optimal food presentation in all compartments.
- Opening assist for door with two options:
 1. Push-to-open function for integration into handleless cabinet front
 2. Pull-to-open function to facilitate opening the door using a handle
- Flat dark brushed stainless steel inner door.
- Flexible positioning of shelves and door racks through hidden rail system.
- The drawers in the RVC refrigerators and RVF freezers are positioned at the same height. With side-by-side installation, the glass shelves and door racks can be aligned on the same level.
- Integrated ice maker with fixed water connection.
- Home Connect®
- Recognized as the Most Efficient of ENERGY STAR 2025.
- Sabbath mode Star-K certification pending.
- Total volume: 22.3 cu.ft.

Operation

Opening assist for door. Soft-close door closing system. User guidance through light response to drawer interaction. Automatic brightness adjustment based on ambient illumination. Hidden touch display.

Technical features

Dynamic cold air distribution. Automatic defrosting with defrost water evaporation. Sabbath mode Star-K certification pending. When sabbath mode is active, the appliance can only be opened using a handle. Open-door and malfunction alarm.

Selected digital services (Gaggenau Home Connect)

Remote control and monitoring.

Freezing

No-frost technology with fast freezing at -22 °F (-30 °C). Temperature adjustable from -11 °F to 3 °F (-24 °C to -16 °C). Freezer burn protection. Oxidation protection. Warm-white, glare-free LED lighting (3000 K). 2 aluminum-framed safety glass shelves, individually adjustable in height. Flexible positioning of door racks through hidden rail system. 3 height-adjustable door racks. 3 fully extendable drawers, with soft-close drawer closing system.

Ice maker

Hidden in one drawer for optimized usable space. With fixed water connection (inlet). Can be switched off. Integrated, easily accessible ice cube scoop. Ice cube production: approx. 5 lbs./24 h. Removable ice storage container with approx. 6.5 lbs. capacity. Particle filter for water inlet, integrated in ventilation grill area. Saturation indicator shown in touch display.

Consumption data

Energy consumption 536 kWh/year. Noise level 38 dB (A) re 1 pW.

Planning notes

Flat hinge. Door hinge left, reversible, with RVA 466 900 accessory for door direction change. Door opening angle of 115°, fixable at 90°. Max. door panel weight 84 lbs. (38 kg). Shut-off valve for water connection must be planned next to the appliance and always be accessible. If the water pressure exceeds 116 psi (8 bar), connect pressure relief valve between water tap and hose set.

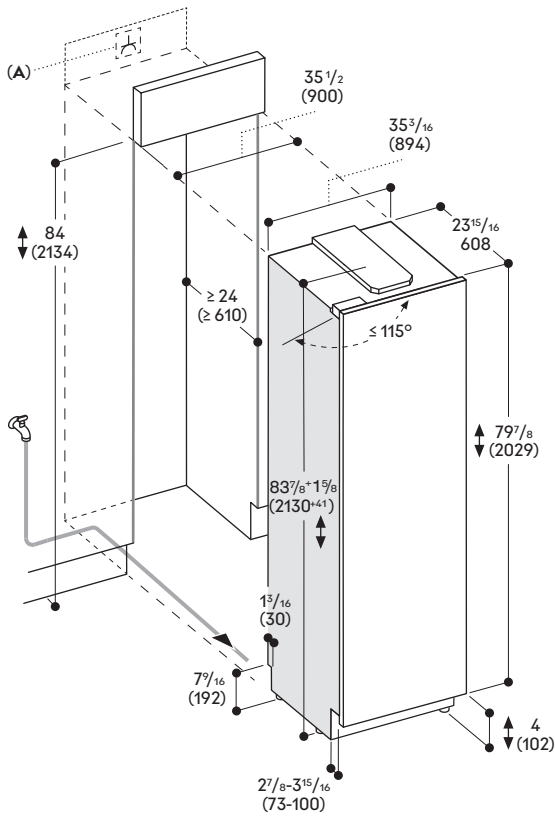
Rating

Total rating 1,468 W/24 h. Total amps: 10 A. 120 V / 60 Hz. Connecting cable 118" (3.0 m), detachable. Potable water connection required. Electrical location 6" above ground in lower left corner of unit. Supply hose 70 7/8" (1.8 m) with 1/4" female compression fitting (standard ice maker connector). Water pressure 29 to 116 psi.



Available for delivery June 2026.

www.gaggenau.com/us
Revised: April 2026



A: Electrical hook-up

The maximum door panel dimensions are based on a clearance of 1/8" (3 mm)
 The height of the toe kick can be reduced to 2" (50 mm)