



## Vario refrigerator Gaggenau Expressive series RVC 467

### RVC 467 790

Fully integrated, panel ready, with fresh climate drawers and internal water dispenser. Door hinge right, reversible with RVA 466 600 accessory for door direction change. Cut out width 24" (61 cm). Cut out height 84" (213.4 cm).

### Included accessories

- 1 egg holder with lid.
- 2 oak wood bottle supports.
- 1 supply hose, 70 7/8" (1.8 m) with 1/4" female compression fitting.
- 1 ethylene absorber starter kit.
- 1 activated charcoal water filter.

### Required accessories

#### RVA 460 000

Required accessory for Expressive series side-by-side installation.

#### RVA 466 600

Accessory for door direction change. For 24" (61 cm) wide RVC and RVF.

### Installation accessories

#### RVA 421 620

Dark brushed stainless steel door panel with handle. For 24" (61 cm) wide appliances, panel thickness 3/4" (19 mm).

#### RVA 428 620

Dark brushed stainless steel door panel, handleless. For 24" (61 cm) wide appliances, panel thickness 3/4" (19 mm).

#### RA 425 110

Handle bar, stainless steel, long. With 3 mounts, length 44 1/2" (1131 mm), height 1 15/16" (49 mm), drilling distance between each mount 21 13/16" (554 mm).

#### RVA 423 141

Side trims used to conceal the gap between the appliance and adjacent cabinet. 1/8" (3 mm), 2 pieces.

#### RA 460 020

Connecting element for vertically split appliance fronts (for a flush front).



#### RVA 460 020

Accessory for side-by-side installation, backward compatible. Required if an appliance of the Vario cooling Expressive series is installed side-by-side with an appliance of the Vario cooling 400 series.

### Optional accessories

#### RA 430 100

Storage container with transparent lid, anthracite.

#### Part No. 11031964

Egg holder insert (for use with RA 430 100).

#### RVA 438 040

Solid oak bottle support with magnetic connector.

#### RA 450 022

Activated charcoal water filter. For RVY, RVB and RVF.

#### Part No. 11049963

Water filter bypass for home water filtration system.

#### RVA 450 220

Replacement activated charcoal air filter, set of 2 pcs.

#### Part No. 17006999

Ethylene absorber. Starter kit.

For placement in a fresh climate drawer.

#### Part No. 17007000

Ethylene absorber. Refill kit.

For placement in a fresh climate drawer.

### Highlights

- Dark brushed stainless steel interior, refined with solid anthracite aluminum elements.
- Warm white and glare-free LED lighting concept for optimal food presentation in all compartments.
- Opening assist for door with two options:
  1. Push-to-open function for integration into handleless cabinet front
  2. Pull-to-open function to facilitate opening the door using a handle
- Flat dark brushed stainless steel inner door.
- Flexible positioning of shelves and door racks through hidden rail system.
- The drawers in the RVC refrigerators and RVF freezers are positioned at the same height. With side-by-side installation, the glass shelves and door racks can be aligned on the same level.
- Professional freshness system with 2 fresh climate drawers and 1 chilled drawer.
- Internal water dispenser with water filter located on the left side above fresh climate drawers.
- Full touch TFT display.
- Home Connect®
- ENERGY STAR® certified.
- Sabbath mode.
- Total volume: 13.6 cu.ft.

### Operation

Opening assist for door. Cushioned door closing system. User guidance through light and display response to drawer interaction. Automatic brightness adjustment based on ambient illumination. Easily accessible full touch TFT display with clear text. Animated quick guides to assist appliance maintenance.

### Technical features

Dynamic cold air distribution. Automatic defrosting with defrost water evaporation. Constant air purification by 2 activated charcoal air filters. Sabbath mode. When sabbath mode is active, the appliance can only be opened using a handle. Open-door and malfunction alarm.

### Selected digital services (Gaggenau Home Connect)

Remote control and monitoring. Personalization function for saving custom programs.

### Cooling

Internal water dispenser with water filter located on the left side above fresh climate drawers. Professional freshness system. No-frost technology with fast cooling. Temperature adjustable from +36 °F to +46 °F (+2 °C to +8 °C). 2 aluminum-framed safety glass shelves, individually adjustable in height. 1 integrated safety glass shelf. Optimal food presentation with warm white and glare-free, hidden LED light bars (3000 K). Flexible positioning of door racks through hidden rail system. 4 height adjustable door racks, 1 of which is extra deep.

### Fresh climate drawer

1 fresh climate drawer with temperature adjustable from -30 °F to +36 °F (-1 °C to +2 °C). 1 fresh climate drawer with temperature adjustable from -30 °F to +46 °F (-1 °C to +8 °C). Ideal storage conditions for different foods through dedicated programs (e.g. Fruit, Vegetables, Meat and Cold sensitive food). Individual adjustment of temperature and humidity. Extended food preservation with ethylene absorber. Indirect illumination, transparent front. Fully extendable, with cushioned closing system.

### Chilled drawer

Temperature dependent on cooling compartment (always 3.5 °F to 5.5 °F (2 °C to 3 °C) lower). Indirect illumination, transparent front. Fully extendable, with cushioned closing system.

### Consumption data

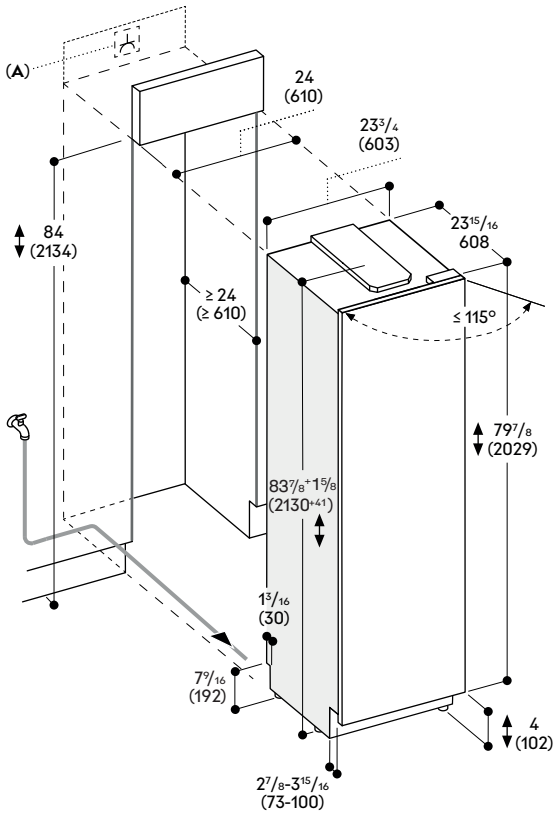
Energy consumption 302 kWh/year. Noise level 38 dB (A) re 1 pW.

### Planning notes

Flat hinge. Door hinge right, reversible with RVA 466 600 accessory for door direction change. Door opening angle of 115°, fixable at 90°. Max. door panel weight 90 lbs. (41 kg).

### Rating

Total rating 827 W/24 h. Total amps: 10 A. Connecting cable 118" (3.0 m), detachable. Potable water connection required. Electrical location 6" above ground in lower left corner of unit. Supply hose 70 7/8" (1.8 m) with 1/4" female compression fitting (standard ice maker connector). Water pressure 29 to 116 psi.



**A: Electrical hook-up**

The maximum door panel dimensions are based on a clearance of 1/8" (3 mm)  
 The height of the toe kick can be reduced to 2" (50 mm)

Numbers indicated  
 inside parenthesis ( ) = mm

www.gaggenau.com/us  
 Revised: March 2026

Gaggenau reserves the absolute and unrestricted right to change product materials and specifications, at any time, without notice. Consult the product's installation instructions for final dimensional data and other details prior to making cut out. Warranties: Please see Use & Care manual or Gaggenau website for statement of limited product warranty. For more information on our entire line of products, go to www.gaggenau.com or call 1-877-442-4436.