



**Vario fridge-freezer combination**  
Gaggenau Expressive series  
**RVB 477**

**RVB 477 790**

Fully integrated, panel ready, with internal water dispenser. Door hinge right, reversible. Cut out width 30" (76.2 cm). Cut out height 84" (213.4 cm). Cooling compartment with one door and one fully extendable freezing drawer.

**Included accessories**

- 1 egg holder with lid.
- 1 ice cube scoop.
- 1 ice storage container.
- 2 oak wood bottle supports.
- 1 supply hose, 70 7/8" (1.8 m) with 1/4" female compression fitting.
- 1 ethylene absorber starter kit.
- 1 activated charcoal water filter.

**Required accessories**

**RVA 460 000**

Required accessory for Expressive series side-by-side installation.

**Installation accessories**

**RVA 421 720**

Dark brushed stainless steel door panels with handles. For RVB 477, panel thickness 3/4" (19 mm).

**RVA 428 720**

Dark brushed stainless steel door panels, handleless. For RVB 477, panel thickness 3/4" (19 mm).

**RA 421 715**

Stainless steel door panel. For RVB 477, panel thickness 3/4" (19 mm).

**RA 425 110**

Handle bar, stainless steel, long. With 3 mounts, length 44" (1131 mm), height 1 15/16" (49 mm), drilling distance between each mount 21 15/16" (554 mm).

**RA 425 710**

Handle bar, stainless steel, short. For RB 472, with 2 mounts, length 25 7/8" (658 mm), height 1 15/16" (49 mm), drilling distance between the mounts 25 1/16" (637 mm).

**RVA 423 141**

Side trims used to conceal the gap between the appliance and adjacent cabinet.

1/8" (3 mm), 2 pieces.



**RA 460 030**

Connecting element for vertically split fronts (for fridge-freezer combination).

**RVA 460 020**

Accessory for side-by-side installation, backward compatible. Required if a Vario cooling Expressive series appliance is installed side-by-side with a Vario cooling 400 series appliance.

**Optional accessories**

**RA 430 100**

Storage container with transparent lid, anthracite.

**Part No. 11031964**

Egg holder insert (for use with RA 430 100).

**RVA 438 040**

Solid oak wood bottle support with magnetic connector.

**RA 450 022**

Activated charcoal water filter. For RVY, RVB and RVF.

**Part No. 11049963**

Water filter bypass for home water filtration system.

**RVA 450 220**

Replacement activated charcoal air filter, set of 2 pcs.

**Part No. 17006999**

Ethylene absorber. Starter kit.

For placement in a fresh climate drawer.

**Part No. 17007000**

Ethylene absorber. Refill kit.

For placement in a fresh climate drawer.

**Highlights**

- Dark brushed stainless steel interior, refined with solid anthracite aluminum elements.
- Warm white and glare-free LED lighting concept for optimal food presentation in all compartments.
- Opening assist for door with two options:
  1. Push-to-open function for integration into handleless cabinet front.
  2. Pull-to-open function to facilitate opening the door using a handle.
- Flat dark brushed stainless steel inner door.
- Flexible positioning of shelves and door racks through hidden rail system.
- Solid anthracite aluminum door bins.
- Professional freshness system with 1 fresh climate drawer and 1 chilled drawer.
- Internal water dispenser with water filter located on the left side above fresh climate drawers.
- Integrated ice maker with fixed water connection.
- Spacious, fully extendable freezer compartment including 2 additional interior drawers.
- Full touch TFT display.
- ENERGY STAR® certified.
- Sabbath mode certified by Star-K.
- Net volume 16.7 cu.ft.

**Operation**

Opening assist for door and drawer. Soft-close door closing system. User guidance through light and display response to drawer interaction. Automatic brightness adjustment based on ambient illumination. Easily accessible full touch TFT display. Clear text display. Animated quick guides to assist appliance maintenance.

**Technical Features**

Dynamic cold air distribution. Automatic defrosting with defrost water evaporation. Constant air purification by 2 activated charcoal air filters. Sabbath mode certified by Star-K. When sabbath mode is active, the appliance can only be opened using a handle. Open-door and malfunction alarm.

**Selected digital services**

**(Home Connect)**  
Remote control and monitoring. Storage management with cameras. Automatic program selection of fresh climate drawers (via object recognition). Personalization function for saving custom programs.

**Cooling**

Internal water dispenser with water filter. Professional freshness system. No-frost technology with fast cooling. Temperature adjustable from 35 °F to 46 °F (+2 °C to +8 °C). 3 aluminum-framed safety glass shelves, individually adjustable in height. 1 integrated safety glass shelf. Optimal food presentation with warm white and glare-free, hidden LED light bars (3000 K). Flexible positioning of door racks through hidden rail system. 3 door racks, of that 2 are height adjustable.

Total volume of all refrigerator compartments: 11.1 cu.ft.

**Fresh climate drawer**

2 fresh climate drawers / 1 fresh climate drawer with humidity control. Temperature adjustable from 30 °F to 36 °F (-1 °C to +2 °C). Ideal storage conditions for different foods through dedicated programs (e.g. Fruit, Vegetables, Meat). Individual adjustment of temperature and humidity. Extended food preservation with ethylene absorber. Indirect illumination, transparent front. Fully extendable, with soft-close drawer closing system.

**Chilled drawer**

Temperature dependent on cooling compartment (always 3.5 °F to 5.5 °F (2 °C to 3 °C) lower). Indirect illumination, transparent front. Fully extendable, with soft-close drawer closing system.

**Freezer**

No-frost technology with fast freezing at -22° F (-30° C). Temperature adjustable from -11 °F to 3 °F (-24 °C to -16 °C). Freezer burn protection. Oxidation protection. Spacious, fully extendable freezer compartment with synchronously running pull-out rails. 2 extendable interior drawers. Warm-white, glare-free LED lighting (3000 K) within freezer compartment. Net volume 5.6 cu.ft.

**Ice maker**

Integrated automatic ice maker in the freezer compartment, with fixed water connection. Ice maker can be switched off independently. Ice cube production approx. 6.6 lbs. (3 kg)/24 h. Removable ice storage container with approx. 7 lbs. (3.2 kg) capacity. Integrated, easily accessible ice cube scoop. Active charcoal water filter for water inlet, integrated in ventilation grill area. Saturation indicator for filter via full touch TFT display.

**Consumption data**

Energy consumption 560 kWh/year. Noise level 39 dB(A) re 1 pW.

**Planning notes**

Flat hinge. Door hinge right, reversible. Door opening angle of 115°, fixable at 90°. Max. door panel weight: Door 132 lbs. (60 kg). Drawer 37 lbs. (17 kg). Shut-off valve for water connection must be planned next to the appliance and always be accessible. If the water pressure exceeds 116 psi (8 bar), connect pressure relief valve between water tap and hose set. Standard brushed stainless steel door panels with handles (not dark brushed stainless steel) are available to order. Please order RA 421 715 (standard stainless steel doors with handles). Consult planning notes for additional detail.

**Rating**

Total rating 1,540 W/24 h.

Total amps: 10 A.

120 V / 60 Hz.

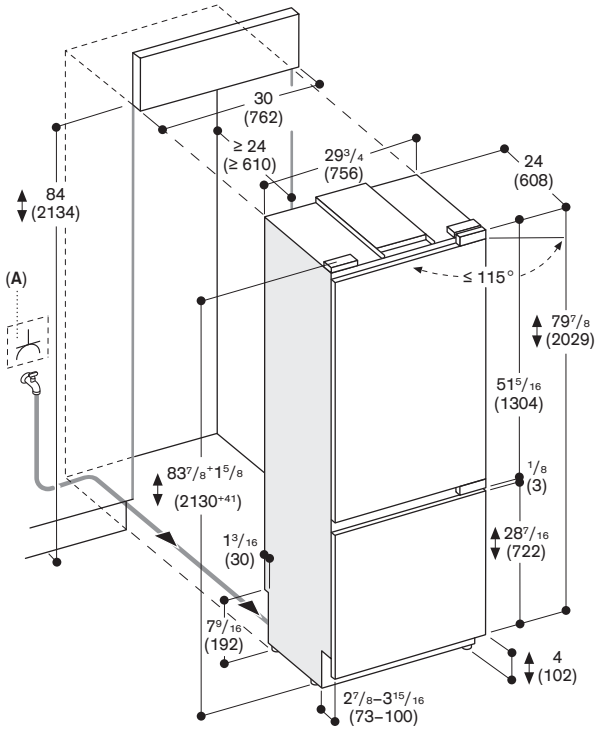
Connecting cable 118" (3.0 m), detachable.

Potable water connection required.

Electrical location 6" above ground in lower left corner of unit.

Supply hose 70<sup>7</sup>/<sub>8</sub>" (1.8 m) with 1/4" female compression fitting (standard ice maker connector).

Water pressure 29 to 116 psi.



**A: Outlet**

The maximum door panel dimensions are based on a clearance of 1/8" (3 mm)

The height of the toe kick can be reduced to 2" (50 mm)

Measurements in inches (mm)

Numbers indicated inside parenthesis ( ) = mm

www.gaggenau.com/us  
Revised: April 2026

Gaggenau reserves the absolute and unrestricted right to change product materials and specifications, at any time, without notice. Consult the product's installation instructions for final dimensional data and other details prior to making cut out. Warranties: Please see Use & Care manual or Gaggenau website for statement of limited product warranty. For more information on our entire line of products, go to www.gaggenau.com or call 1-877-442-4436.