

GAGGENAU

Additional planning notes for dark brushed stainless steel fridge-freezer combination RVY 497 / RVB 497 / RVB 477

The side walls of the adjacent cabinetry have to be dimensionally stable, as the cooling appliances are secured in the niche with only an anti-tilt bracket on the top back and on the bottom at the side.

The cooling appliances can be installed handle to handle as a side-by-side combination. In this case the side-by-side installation kit RVA 460 000 is required. If the cooling appliances are joined together hinge to hinge an additional stable side wall must be foreseen. If restrictions in use are accepted, (a simultaneous opening of the doors is not possible) the appliances can be joined directly, using the side-by-side installation kit RVA 460 000.

When installing a cooling appliance handleless next to a BO/BM/BS/CM from the oven 400 series a minimum lateral distance of $1\frac{3}{16}$ " (30 mm) is required, if the door of the cooling appliance opens towards the BO/BM/BS/CM. If the BO/BM/BS have a retrofitted handle on the same side as the cooling appliance's door hinge a lateral distance of 60 mm is required.

For the same installation next to a BOP/BMP from the ovens 200 series, a distance of $1\frac{3}{16}$ " (40 mm) is required.

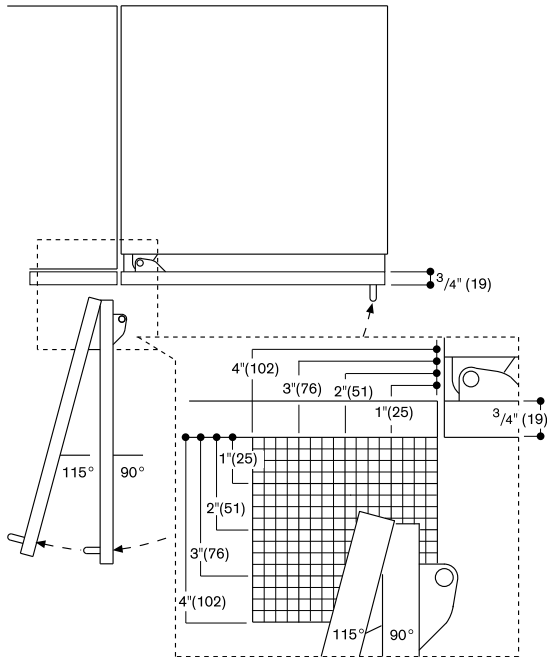
Door opening angle

To ensure correct kitchen planning it is essential to take into account the opening angle of the appliance's door plus the door panel and handle. Collisions with kitchen furniture (worktops, handles of adjacent cabinetry, etc.) or parts of the room (walls, protrusions, etc.) need to be avoided.

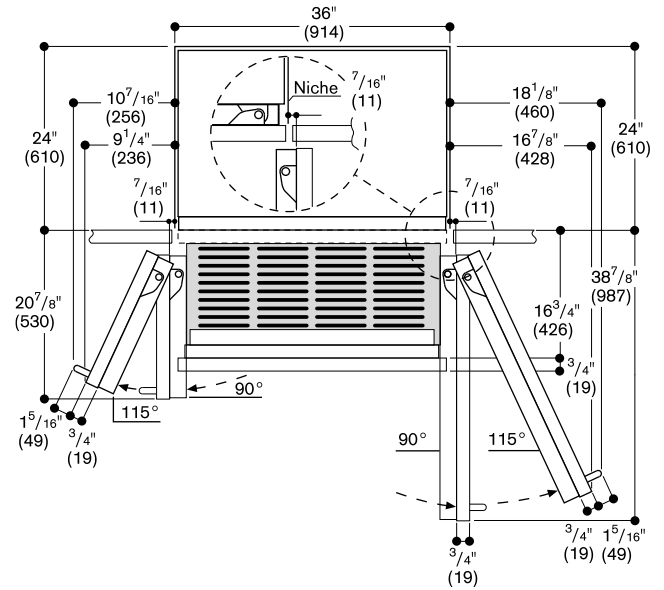
The necessary space for the hinge movement and the resulting clearances, depending on the door opening angle, to adjacent cabinetry and its handle are shown in the following drawing. The clearances are based on a door panel thickness of $\frac{3}{4}$ " (19 mm).

In case of a potential collision, the following options are available to solve the situation:

- Limit the door opening angle to 90° (standard 115°). A pin to limit the opening is enclosed with the appliance
- Fit a spacer between the appliance and the cabinetry that it would collide with
- Rearrange surrounding cabinetry or appliance



The space required for the hinge and the consequential distance to the adjacent unit and its handle can be seen in the above drawing, depending on the thickness. The drawing assumes a panel thickness of $\frac{3}{4}$ " (19 mm).



The drawing is based on a cabinet panel width of $\frac{3}{4}$ " (19 mm) and a Gaggenuau cabinet handle height of $1\frac{5}{16}$ " (49 mm).

GAGGENAU

Installation cutout

Unlike conventional built-in appliances, the appliance stands on the floor. Therefore the installation niche is a space in a line of kitchen units.

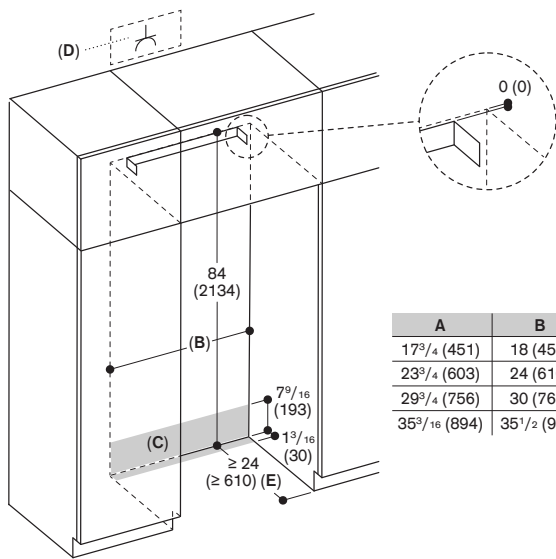
Installation cutout

The specified dimensions of the installation cutout must be ensured to guarantee a proper installation of the appliance and a seamless integration into the kitchen design. It is particularly important that the installation cutout is square. The side walls must be smooth, not uneven and without protrusions. Use the appropriate tools, e.g. spirit level, diagonal measurements, etc. to determine whether the installation cutout is square.

The side walls and the crown of the installation cutout must be at least $\frac{5}{8}$ " (16 mm) thick.

The anti-tip bracket must be installed at the standard installation height of 84" (2134 mm). If the cutout exceeds this height, the anti-tip bracket must be installed at the highest point of the cutout and the appliance then raised to match the cutout height.

Installation cutout for an individual appliance



- A: Appliance width
- B: Width of installation cutout
- C: Area for guiding water supply hose
- D: Outlet
- E: Depth of installation cutout, depending on kitchen design

Installation cutout for a side-by-side solution

The cooling appliances offer options for side-by-side combinations to create an individual kitchen design.

The required width of the installation cutout is the sum of the widths of the single appliances. Height and depth of the installation cutout correspond to the specifications of the single appliances.

It is important to comply with the specified dimensions to ensure enough space for the electrical and water connection. For precise dimensions, please refer to the details given for the single appliances.

Location

The appliance should be installed in a dry and well-ventilated room. The location of the appliance should not be subject to direct sunlight or be near a heat source, such as a cooker, a radiator, etc.

If an installation next to a heat source is unavoidable the following minimum distances to that source need to be considered:

- 1³/₁₆" (3 cm) to electric or gas cooktops
- 1³/₁₆" (3 cm) to electric or gas ovens
- 11¹³/₁₆" (30 cm) to an oil-fired or solid-fuel cooktop

Surface

To ensure that the appliance is installed securely and functions properly, the floor must be level and even. Moreover, it must consist of a hard, rigid material and not give way, due to the heavy weight of a fully loaded appliance. The following table shows the resulting weight of an appliance when installed with a door panel having the max. permitted weight and being fully loaded.

Maximum load weight

Model	Description	Max. load weight
RVY497	Fridge-freezer combination, 3 doors	1,296 lbs. (588 kg)
RVB 497	Fridge-freezer combination, 2 doors	1,103 lbs. (500 kg)
RVB 477	Fridge-freezer combination, 2 doors	1,052 lbs. (477 kg)

In case of doubt, consult an architect, structural engineer or construction expert. If required the floor must be reinforced.

To ensure the proper functionality of the ice maker the appliance must be upright.

Neighboring cabinetry

The appliance is securely positioned into its niche by screwing it firmly to the adjacent and top cabinetry.

It must be ensured that all cabinetry onto which the appliance is fastened, is firmly connected to the floor or the wall.

The thickness of the baseboard can be max. $\frac{3}{4}$ " (19 mm).

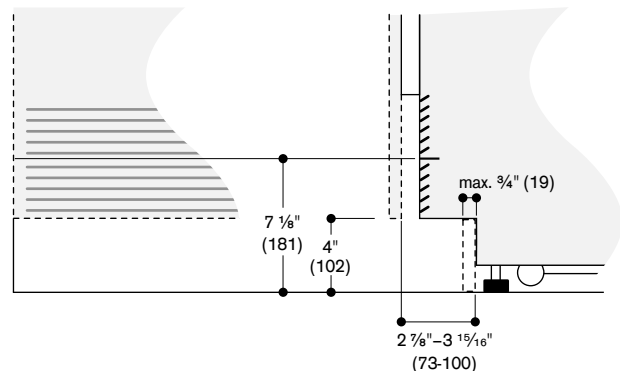
Toe kick area

Important!

Poor ventilation damages the appliance!

It is not permitted to cover the air inlets and the exhaust air outlets of the appliance in the toe-kick area.

Based on the standard installation height the toe-kick height is 4" (102 mm) (the distance between the floor and the bottom edge of the door panel installed on the appliance) to ensure a proper operation of the appliance. Take this into consideration also when adjusting the feet of the appliance.

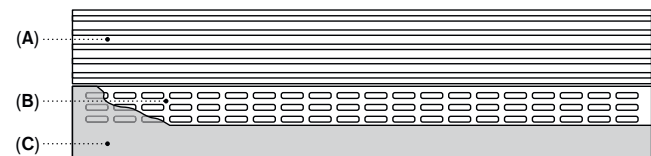


In relation to the standard height of the appliance, the height of the toe kick plate is 4" (102 mm). Maximum thickness of the toe kick plate is $\frac{3}{4}$ " (19 mm).

For design reasons, it may be necessary to decrease the toe-kick height.

It can be reduced to 2" (50 mm). Subsequently the height of the toe-kick (C) needs to be reduced as well to match the now lower toe-kick height, so the additional ventilation openings (B) are not fully covered. Only then, a proper operation of the appliance can be guaranteed.

E.g. toe-kick height: 2 $\frac{3}{4}$ " (70 mm). base board shall not be higher than 2 $\frac{3}{4}$ " (70 mm). Adhesive connectors on the appliance ensure a secure fixation of the base board.



- A: Air inlets and exhaust air outlets
- B: Ventilation openings in base board area
- C: Base board

The height of the toe kick can be reduced to 2" (50 mm) based on the standard installation height

The base board height needs to be reduced to match the toe kick height to allow for the additional ventilation

Special accessories | Replacement

Crown molding

Important!

The crown molding of the installation niche must always have a depth of at least 4" (102 mm) (measured from the front edge of the appliance) and be at least 5/8" (16 mm) thick. Only then a secure installation of the appliance in the niche can be guaranteed.

The height of the door panel on the appliance is dependent on:

- The overall height of the appliance
- The distance from the bottom edge of the door panel to the floor
- The appliance type (one-door or multi-door appliances)

This height may vary depending on the installation conditions. For design reasons it may be necessary to lengthen the cabinet door upwards by extending it beyond the top of the appliance.

Dimensions of special accessories — door panels

The cabinetry, the height of the toe kick, the overall height of the kitchen and other determining dimensions of the kitchen must be considered in order to plan the exact positioning of the door panel, so that the appliance integrates perfectly into the overall kitchen design.

The following drawings show the basic dimensions of the special accessory door panels. These are designed to fit the following basic specifications:

- Height of the toe-kick: 4" (102 mm)
- Overall height of the installation niche: 84" (2134 mm)
- Gaps: 1/8" (3 mm)
- Door panel thickness: 3/4" (19 mm)

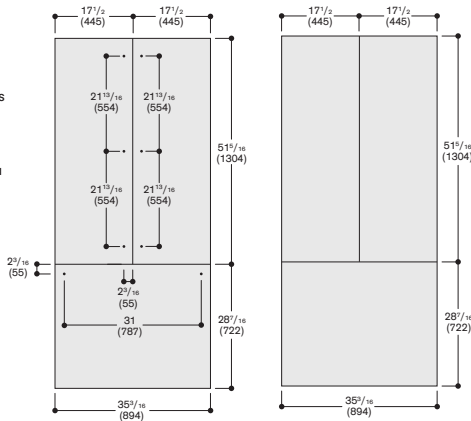
Important!

The following drawings are not a substitute for detailed designs. Compliance with specified requirements relating to kitchen design is essential.

RVY 497 Niche with 35.5" (900 mm)

The door panel thickness is 3/4" (19 mm)

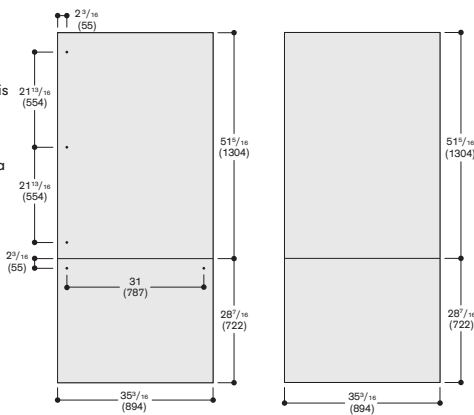
The maximum door panel dimensions are based on a clearance of 5/8" (3 mm), based on a single niche



RVB 497 Niche with 35.5" (900 mm)

The door panel thickness is 3/4" (19 mm)

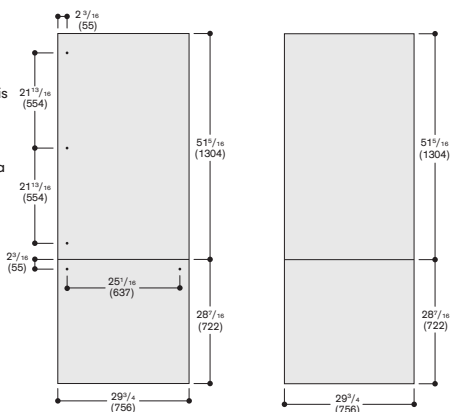
The maximum door panel dimensions are based on a clearance of 5/8" (3 mm), based on a single niche



RVB 477 Niche with 30" (762 mm)

The door panel thickness is 3/4" (19 mm)

The maximum door panel dimensions are based on a clearance of 5/8" (3 mm), based on a single niche



When designing custom door panels ensure the maximum panel weights shown in the following table are not exceeded.

Maximum permitted door panel weight

Model	Description	Max. panel weight
RVY497	Fridge-freezer combination 35 1/2", 3 doors	Each door 141 lbs. (64 kg) / Drawer 30 lbs. (14 kg)
RVB497	Fridge-freezer combination 35 1/2", 2 doors	Each door 110 lbs. (50 kg) / Drawer 30 lbs. (14 kg)
RVB477	Fridge-freezer combination 30", 2 doors	Each door 132 lbs. (60 kg) / Drawer 37 lbs. (17 kg)

Replacement of RVY497 into 914 mm niche

If a RVY 497 or RVB 497 is installed into an existing, unmodified 36" (914 mm) wide cutout (e.g. replacement of an appliance of the Vario cooling 400 series - RY 492) be aware of the following dimensional changes:

- Appliance width 35 3/16" (894 mm) (compared to 35 3/4" (908 mm) within Vario cooling 400 series)
- Range of height adjustable feet based on the standard installation height +1 9/16" (40 mm) / -5/16" (8 mm) (compared to +1 3/8" (35 mm) / -1/2" (13 mm) within Vario cooling 400 series)

To guarantee the aesthetics of the installation 10 mm wide side trims (RVA 460 910) should be installed on both sides of the appliance to cover the gap between the side walls of the appliance and the adjacent cabinetry.

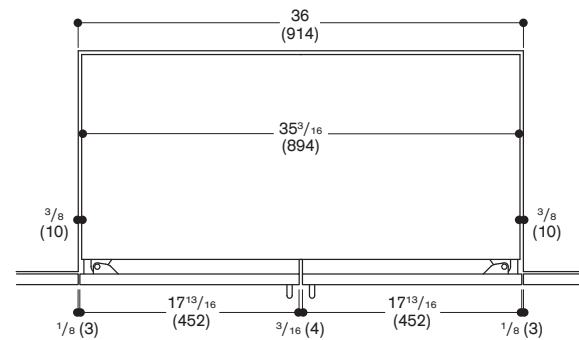
If a Vario cooling 400 appliance was installed in the cutout before, the screwing holes in the crown and side walls (if side trims were used) will become visible, upon removal of the appliance. To ensure perfect aesthetics of the newly installed RVY 497 or RVB 497 the screwing holes should be covered.

Existing custom door panels can be re-used as well as the special accessory door panels from the Vario Cooling 400 series. New door panels need to have the widths displayed in the following drawing.

Be aware that any door panel to fully cover the cutout will now protrude from the doors of the RVY 497 or RVB 497 due to the difference in width.

This has an influence on the hinge movement and resulting clearances to adjacent cabinetry and handles.

Replacement of RVY 497 into 36" (914 mm) niche



The resulting lateral gaps of 3/8" (10 mm) can be covered with side trims included in the installation accessory RVA 460 910

Replacement

Replacement of side-by-side installation incl. RVY 497

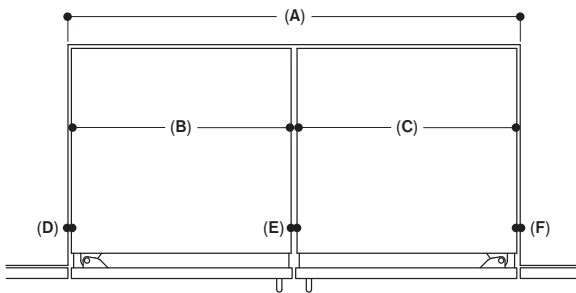
In case of a side-by-side installation into an existing, unmodified niche previously designed for two $35 \frac{3}{16}$ " (908 mm) wide appliances or one $35 \frac{3}{16}$ " (908 mm) wide appliance and any narrower one, the installation accessory RVA 460 900 is required. Different side and center trims to cover the gaps between both appliances and between the appliances' side walls and the adjacent cabinetry are included.

For the narrow $\frac{1}{8}$ " (3 mm) side trims the installation accessory RVA 423 141 needs to be ordered.

For a correct installation, every appliance must be centered within their niche. For this, the spacers on the appliances' side walls may need to be exchanged before moving the appliance into the niche.

Depending on the niche width (A) and the appliances' widths (B) + (C) the gaps (D) + (E) + (F) have different measurements. See drawing:

Replacement of side-by-side installation incl. RVY 497 / RVB 497



A: Niche width	72 (1828)	≤ 66 (≤ 1676)
B: Appliance 1 width	$35 \frac{3}{16}$ (894)	$35 \frac{3}{16}$ (894)
C: Appliance 2 width	$35 \frac{3}{16}$ (894)	≤ $29 \frac{3}{4}$ (≤ 756)
D: Left gap	$\frac{3}{8}$ (10)	$\frac{3}{8}$ (10)
E: Center gap	$\frac{13}{16}$ (20)	$\frac{1}{2}$ (13)
F: Right gap	$\frac{3}{8}$ (10)	$\frac{1}{8}$ (3)

Replacement of side-by-side installation with Vario Cooling 400 series

If an RVY 497 must be installed side-by-side with a Vario cooling 400 appliance the installation accessory RVA 460 020 is required.

Beware that neither the overall appliance design nor the appliances' capabilities match and are not intended to do so.

All installation parts used in the initial Vario cooling 400 side-by-side installation need to be removed, including the heater kit. These are not necessary anymore. Depending on the individual installation situation, additional installation accessories may be necessary.

Side and center trims from the initial installation can be reused. Beware that the colours do not match, nor does the length of the trims fit perfectly, depending on the appliance used on. Side and center trims matching the new appliance's design to cover the gaps between both appliances and between the appliances' side walls and the adjacent cabinetry are included in the installation accessory RVA 460 020.

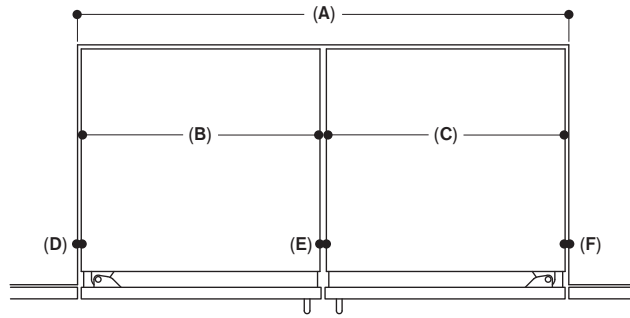
Important!

To join the appliances outside of the niche and adjusting them to the niche height, the feet of the Vario cooling 400 appliance must be raised.

This leads to:

- A visible height difference in the toe-kick area between both appliances (when the doors are open)
- The Vario Cooling 400 appliance not standing on its rollers, but on its front feet on the ground. To move it into the niche it must be slightly lifted with a hand truck.

Replacement of side-by-side installation with Vario Cooling 400 series



A: Niche width	72 (1828)	≤ 66 (≤ 1676)
B: Replacement appliance width	$35 \frac{3}{16}$ (894)	≤ $29 \frac{3}{4}$ (≤ 756)
C: Vario Cooling 400 appliance width	≤ $35 \frac{3}{4}$ (≤ 908)	≤ $35 \frac{3}{4}$ (≤ 908)
D: Left gap	$\frac{3}{8}$ (10)	$\frac{1}{8}$ (3)
E: Center gap	$\frac{1}{2}$ (13)	$\frac{1}{4}$ (6)
F: Right gap	$\frac{1}{8}$ (3)	$\frac{1}{8}$ (3)