

## Checklist for appliance combinations 400 series

### Vertical combination, 30" wide products

This checklist provides the most relevant parameters for the perfect combination and ordering of ovens, Combi-steam ovens, Combi-microwave ovens, fully-automatic espresso machine, vacuuming drawers, warming drawers and dishwashers.

In general:

- When several products are listed (BS/BM and DV/WS), the first appliance is shown.
- Combi-steam ovens, Combi-microwave ovens or a fully-automatic espresso machine in combination with a DV 461 vacuuming drawer or a WS 461 warming drawer (5½" in height) have the same total height as a 24" wide oven and they share the same cut-out. In a combination with the WS 463 warming drawer an intermediate shelf is required. Automatic espresso machines (CM 450 / CM 470) are left-hinged only.

#### Vertical combinations

When planning and ordering please note that:

- The door hinges of the appliances must be on the same side.
- The door hinge (right-/left-hinged) is not reversible.
- The width of the appliances is identical.
- The control modules of 30" wide appliances should meet each other in the middle of the combination.
- No additional product should be installed above the BS.
- Only appliances with controls at the top can be installed above a dishwasher. The cutout for products that are installed above it must be 22 ⅛" wide.

#### Horizontal combinations

When planning and ordering please note that:

- The door hinges need to be placed on the outside in order to use the fully available door opening angle.
- The door hinge (right-/left-hinged) is not reversible.
- A minimum clearance of ¾" between the two doors must be observed.

BO Ovens  
 BS Combi-steam ovens  
 BM Combi-microwave oven  
 CM Fully-automatic espresso machine  
 DV Vacuuming drawers  
 WS Warming drawers  
 DF Dishwashers



BS 484/BM 484  
 BO 480  
 WS 482



BX 480  
 WS 482

### Combination of 4, 30" wide products



BS 485/BM 485  
 BO 481



BM 484/BS 484  
 BO 480

### Horizontal combination, 30" wide products



BO 481



BO 480



BO 481



BS 484/BM 484  
 WS 482

### Vertical combination, 24" wide products



BS 474  
 BO 450  
 DV 463/WS 463



BS 474  
 BO 450  
 DV 461/WS 461



BS 474  
 BM 450  
 DV 461/WS 461



BS 475  
 CM 470/CM450  
 DV 461/WS 461



BO 450  
 DF



BS 470/BM 450  
 DF



CM 470/CM450  
 DF

## Horizontal combination, 24" wide products



BO 451 BO 450



BO 451 BS 470/BM 450  
DV 461/WS 461



BO 451 CM 470/CM 450  
DV 461/WS 461



BS 471 BM 450/BS 470  
DV 461/WS 461



BS 471/BM 451 CM 470/CM 450  
DV 461/WS 461



BO 451 CM 470/CM 450 BS 470/BM 450  
DV 461/WS 461 DV 461/WS 461



BS 471/BM 451 CM 470/CM 450 BS 470  
DV 461/WS 461 DV 461/WS 461 DV 461/WS 461

## Combination of 4 with 24" wide products



BS 475 BS 475  
CM 470/CM 450 BO 451  
DV 461/WS 461

## Combination of 4 with 24" and 30" wide products



BS 475 BS 484/BM 484  
CM 470/CM 450 BO 480  
DV 463/WS 463

## Horizontal combination, 30" and 24" wide products



BO 481 BS 470/BM 450  
DV 463/WS 463



BO 481 CM 470/CM 450 BS 470/BM 450  
DV 463/WS 463 DV 463/WS 463

### General notes

#### Installation behind kitchen cabinet doors

Appropriate measures must be taken to prevent these types of doors from closing when the appliance is heating or while it is cooling down (fan operation). Please check your local regulations.

#### Installation side-by-side

When appliances are installed side by side, the clearance between the appliances must be at least  $\frac{3}{8}$ " (corresponds to the standard outside measurement of the cabinet opening of  $23\frac{3}{8}$ " or 30"). For best possible door opening, the door hinges need to be placed outside in order to use the full available door opening angle. (see picture to the right).

**Please note:** When Sabbath mode is engaged, the automatic door release is deactivated.

### Necessary air openings on the door edges

Gaggenau 400 series ovens are supplied with fresh air for cooling at the top edge and side edges of the door. Hot air is blown out at the door bottom edge. Combi-steam ovens and Combi-microwave ovens have the air inlet at the side edges of the door and the hot air and steam outlets at the top edge of the door.

In order to prevent appliances from overheating and to ensure that they cool down as required after operation, appropriate minimum cross sections of free space must be maintained from kitchen cabinet edges.

The measurements given in the drawing apply to all appliances. The following must also be observed:

#### The area above the appliances

##### BS:

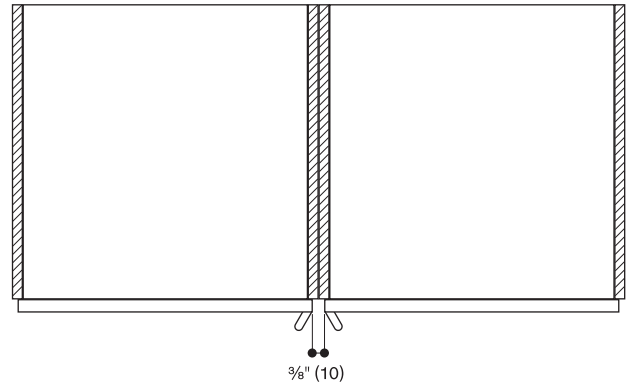
No other electrical appliances should be installed above the BS Combi-steam oven. It is recommended that a horizontal handle is not fitted on cabinet above the BS. Where an edge of a kitchen cabinet protrudes more than  $1\frac{3}{16}$ " in front of the edge of the cabinet opening, the edge of the kitchen cabinet panel must be steam resistant as is the case above a dishwasher. Steam may possibly penetrate into the shelf compartment.

#### The area below the appliances

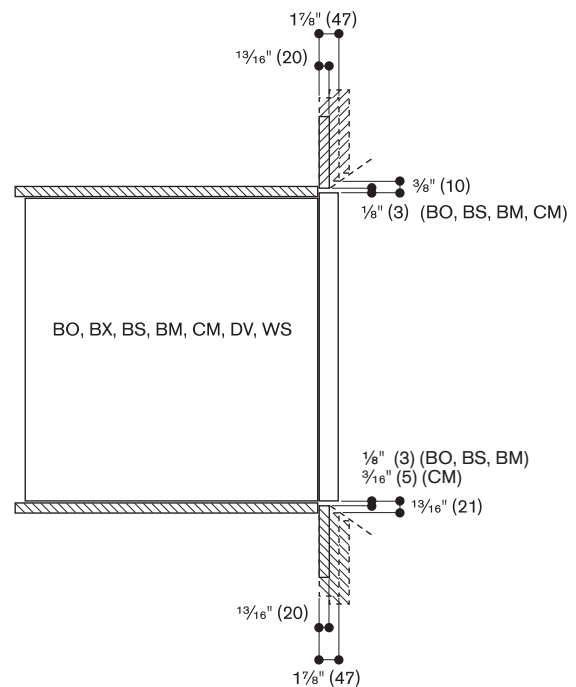
##### DV/WS:

It must be ensured that there is sufficient access to the lower edge of the vacuuming drawer and warming drawer, if the thickness of the kitchen cabinet door is greater than  $1\frac{3}{16}$ " (20 mm) in front of the cabinet opening.

### Installation side-by-side



### Air openings on the door edges above/below. Clearances pertain to a single oven installation.

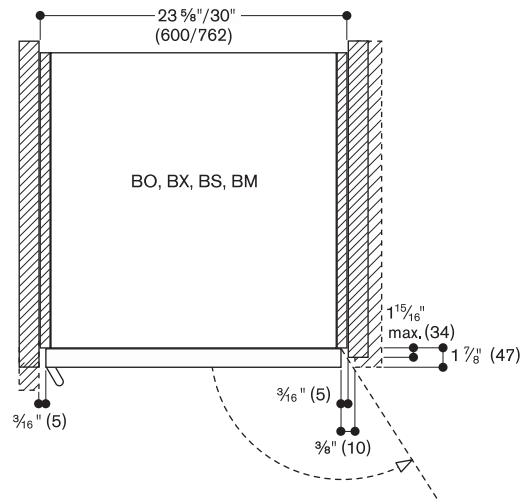


### At the sides

In situations where kitchen cabinet doors are thicker, or where sidewalls protrude up to  $1\frac{5}{16}$ " from the front of the edge of the cabinet opening, the minimum distance on the hinge side is sufficient for the air supply and a door opening angle of  $120^\circ$ . Above that, a distance of  $\frac{3}{8}$ " or even more is required.

The handle side may, if required, be covered by a side panel provided that the minimum distance is maintained.

### Air openings on the door edges

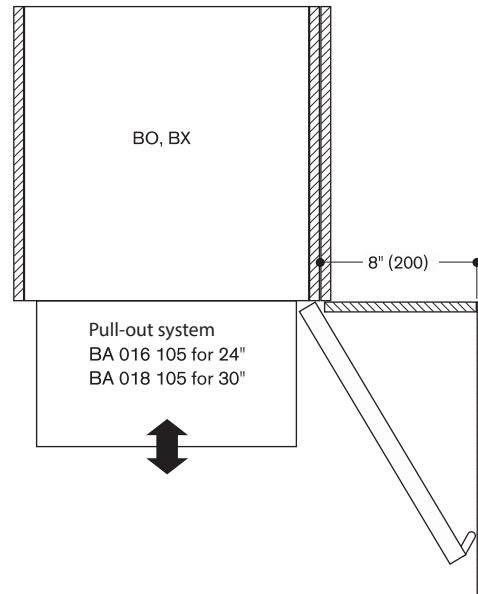


### Installation in corners

### Door clearance at the sides

When the pull-out system is used, a larger door opening angle of  $8^\circ$  is required. For all other situations,  $3\frac{15}{16}$ " is recommended. Where there are smaller side clearances down to a minimum of  $1\frac{15}{16}$ ", restrictions in handling hot baking trays should be expected and the user-friendliness of the side-opening door can not be taken for granted.

### Installation in corner situation



### Installation next to cooling appliances

When installing a 400 series Vario cooling appliance next to a 400 series BO/BM/BS/CM appliance, a minimum lateral distance of  $1\frac{3}{16}$ " (30 mm) is recommended for energy efficiency and/or space required to open door for handleless configurations.

## Planning notes for flush installation of 400 series ovens

Applies to BO/BX/BS/BM/CM/DV/WS

### Flush installation

#### Important notes about flush installation

When appliances are installed flush, the ovens must have a minimum of  $\frac{3}{8}$ " (10 mm) reveal in order for proper ventilation to occur. When installed flush, oven doors will be limited to 90° opening and not 180° if installed conventionally.

**Please note:** When Sabbath mode is engaged, the automatic door release is deactivated. Sabbath operation is not possible in this installation as access to the recessed handle will be restricted.

**Please note:** In order to open the vacuuming or warming drawer please ensure there is sufficient space in between the drawer and the cabinetry underneath.

### Proper Ventilation

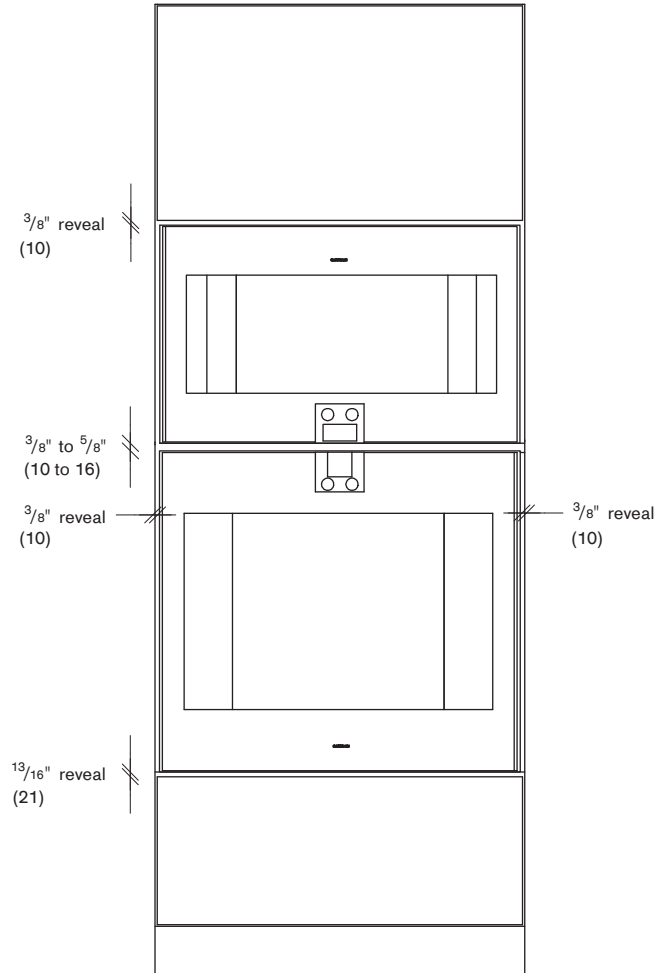
Gaggenau 400 series ovens are supplied with fresh air for cooling at the top edge and side edges of the door. Hot air is blown out at the door bottom edge. Combi-steam ovens have the air inlet at the side edges of the door and the hot air and steam outlets at the top edge of the door.

In order to prevent appliances from overheating and to ensure that they cool down as required after operation, appropriate minimum cross sections of free space must be maintained from kitchen cabinet edges.

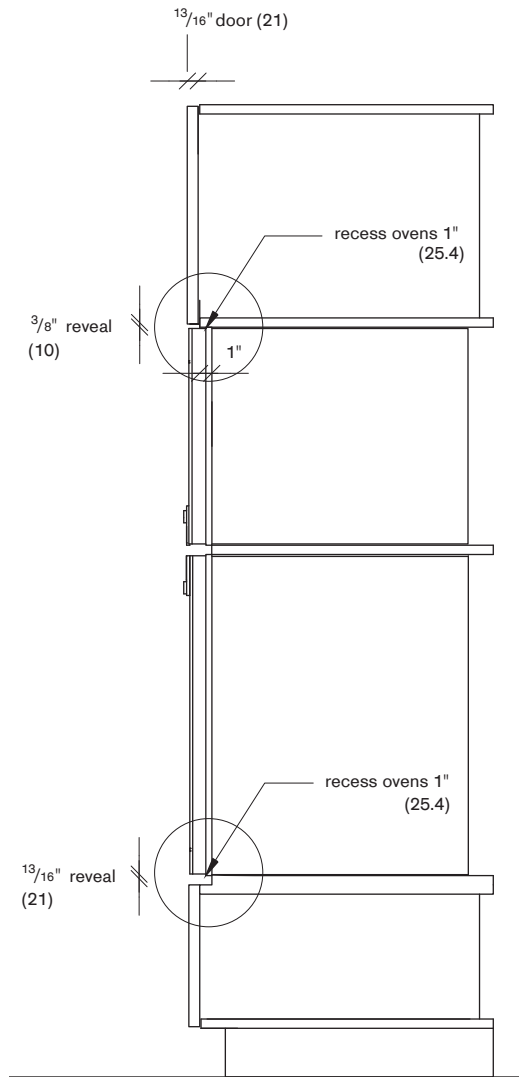
### Installation next to cooling appliances

When installing a 400 series Vario cooling appliance next to a 400 series BO/BM/BS/CM appliance, a minimum lateral distance of  $1\frac{3}{16}$ " (30 mm) is recommended for cooling energy efficiency and/or space required to open door for handleless configurations.

### BM 484 over BO 480



Elevation



## Planning notes for combination installation of 400 series ovens

Applies to BO/BX/BS/BM/CM/DV/WS

### Combination installation

#### Important notes for the combination of 24" and 30" appliances

No appliance may be placed above a combi-steam oven.

The combination may accommodate a DV463 vacuuming drawer or a WS463 warming drawer.

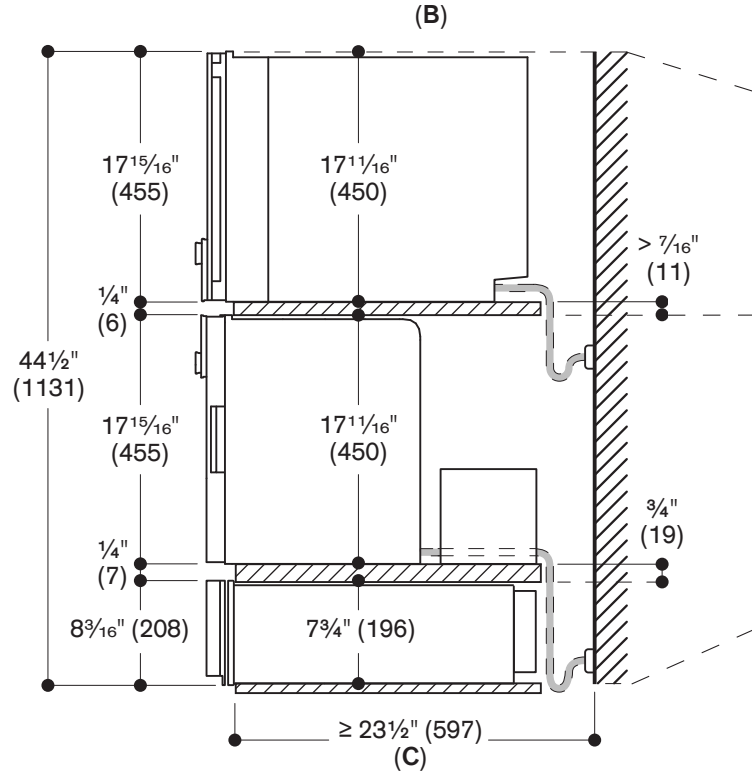
The following combination allows for the doors to be opened via the control panel only. If the use of the integrated handle is desired (as required in Sabbath mode), please widen the distance between appliances as needed.

If a Combi-steam oven is installed, please ensure the 4" minimum drop to connect to the drain line.

If a CM470 plumbed espresso unit is installed, please ensure the 6" minimum drop to connect to the drain line.

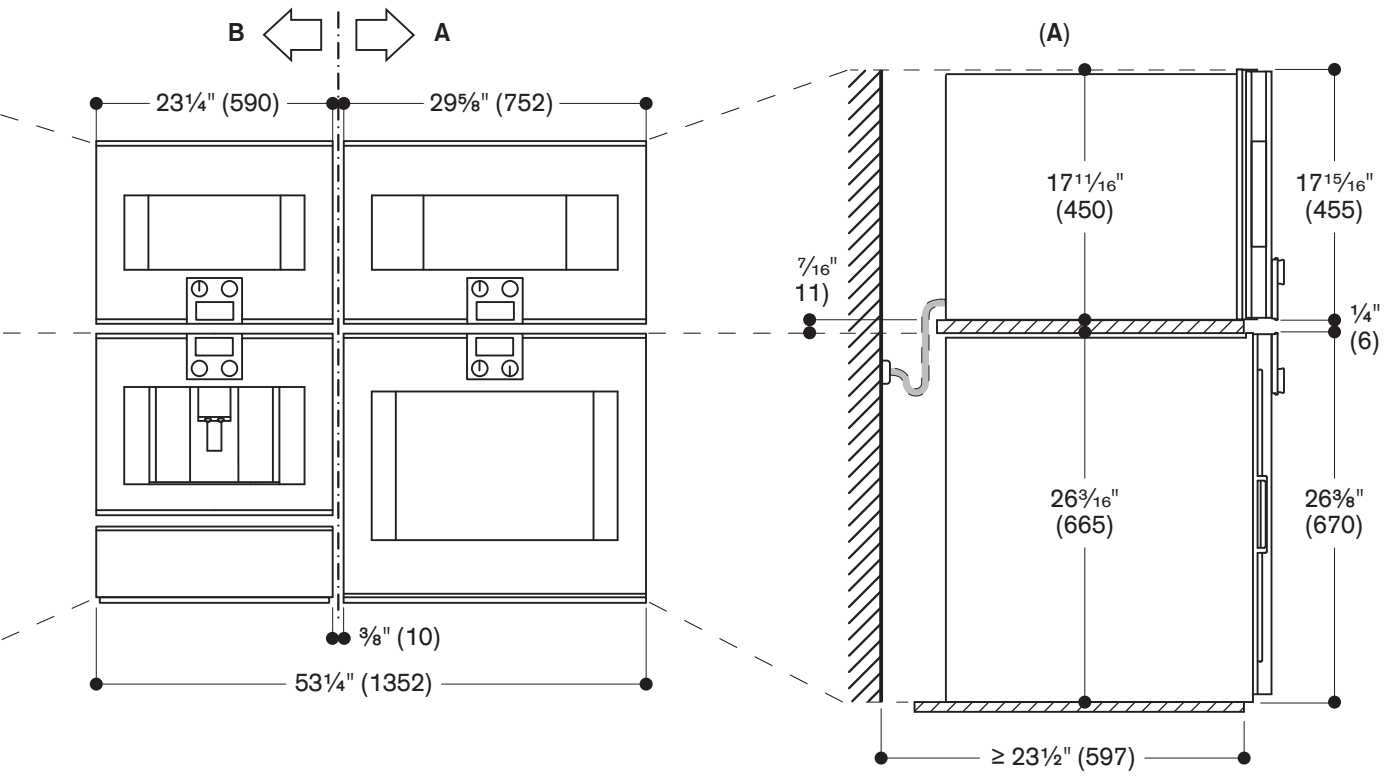
If necessary, the transformer for the CM450/CM470 can be placed in an adjacent cabinet. Note that the length of cable between the transformer to the appliance is 23 1/2" (600 mm).

### Combination of 4 with 24" and 30" wide appliances



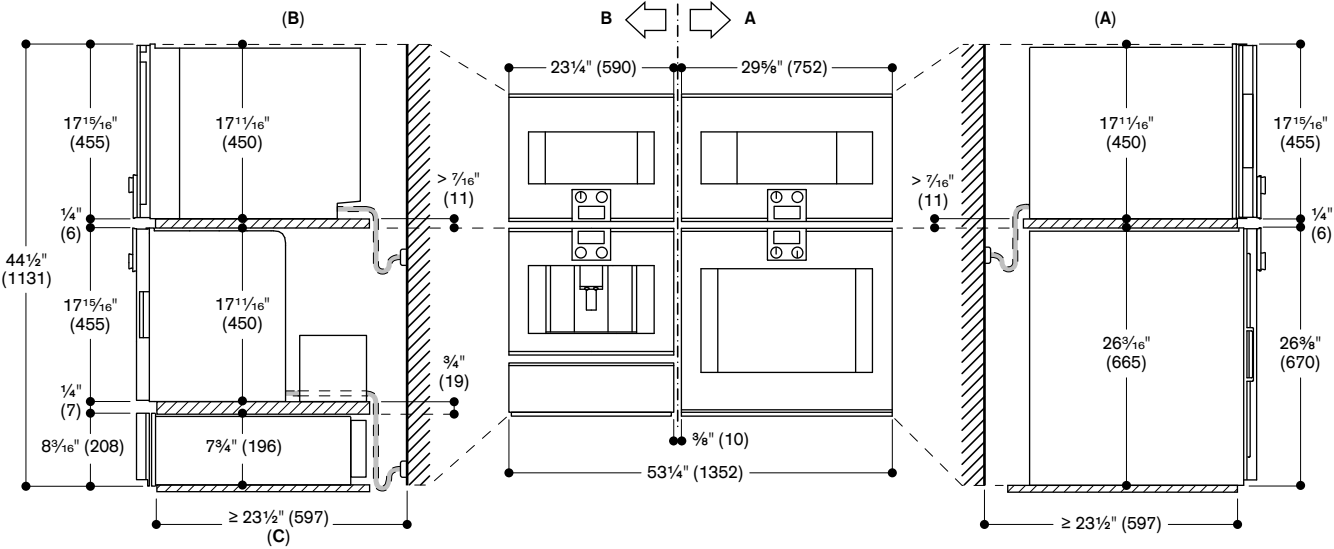
For detailed information regarding the plumbing requirements (CM470 and combi-steam oven appliances) please refer to the individual planning notes for each appliance.

C: Depth including CM transformer





**Combination of 4 with 24" and 30" wide products**



For detailed information regarding the plumbing requirements (CM470 and combi-steam oven appliances) please refer to the individual planning notes. The outlet hose must be at least 4" (100) for the combi-steam and 6" (150) for the CM470 lower than the appliance outlet

**C:** Depth including CM transformer (transformer may also be installed in adjacent cabinet if required. Note the length of cable between the transformer and appliance is limited to  $23\frac{1}{2}"$  (600mm) and cannot be extended.) measurements in inches (mm)

## Gaggenau Full Size Cooktop/Built-in Oven Approved Combination Guide

Guide des combinaisons approuvées de surface de cuisson/four encastré de Gaggenau  
Guía de combinación aprobada para horno empotrado/placa de tamaño completo de Gaggenau

THE FOLLOWING OVEN/COOKTOP COMBINATIONS ARE APPROVED INSTALLATIONS.  
LES COMBINAISONS SUIVANTES DE FOUR/SURFACE DE CUISSON SONT DES INSTALLATIONS  
LAS SIGUIENTES COMBINACIONES DE HORNO/PLACA SON INSTALACIONES APROBADAS

<b>BUILT-IN OVENS: FOURS ENCASTRES : HORNOS EMPOTRADOS:</b>	<b>COOKTOPS: SURFACES DE CUISSON: PLACAS:</b>
EB3336xx BO4806xx BO4816xx BO4506xx BO4516xx BOP2506xx BOP2516xx xx could be any number.	INDUCTION COOKTOPS: SURFACES DE CUISSON À INDUCTION: PLACAS DE INDUCCIÓN: CI292600/CI292610/CI282610/CX482610/CX492610

Cooktops that are not listed above must be approved under local codes and/or by the local authority having jurisdictions.

Les surfaces de cuisson qui ne sont pas énumérées dans la liste ci-dessus doivent être approuvées par les codes locaux ou les autorités locales appropriées.

Las placas que no estén indicadas anteriormente deben estar aprobadas de acuerdo con los códigos locales y/o por la autoridad local que tenga jurisdicción.

**Please note:** For the latest updates to the approved oven/cooktop combination refer to the website listed in your appliance's installation instructions.

**Veillez noter:** pour les plus récentes mises à jour concernant les combinaisons approuvées de four/surface de cuisson, veuillez consulter le site Web indiqué dans les instructions d'installation de votre appareil.

**Tenga en cuenta lo siguiente:** Para obtener información sobre las últimas actualizaciones de las combinaciones aprobadas de horno/placa, consulte el sitio web que figura en las instrucciones de instalación de su electrodoméstico.

