



RVB 477 790

Fully integrated panel ready
Cutout width 30" (76.2 cm)
Cooling section with one door and
one fully extendable freezing drawer

Included accessories

- 1 egg holder with lid
- 1 ice cube scoop
- 2 oak wood bottle holder
- 1 supply hose, 70 3/8" (1.8 m) with
1/4" male compression fitting
(standard icemaker connector)

Installation accessories

RVA 421 720

Dark stainless steel door panels, with
handles. For RVB 477
Panel thickness 3/4".

RVA 428 720

Dark stainless steel door panels,
handleless. For RVB 477
Panel thickness 3/4".

RA 421 715

Stainless steel door panel
For RVB 477, panel thickness 3/4".

RVA 423 141

Side trims used to conceal the gap
between the appliance and adjacent
cabinet.

2 pieces, for RVB and RVY.

RA 425 110

Accessory stainless steel handle for
custom panel refrigerator door for
RVY 497, with 3 mounts, length
44 1/2" (1.131mm).
Order quantity 2x required.

RA 425 710

Accessory stainless steel handle for
custom panel freezer door.
For RB 472 with 2 mounts,
length 25 3/8" (658 mm).

RVA 460 000

Accessory for side-by-side installation
for RVB 477.

Fridge-freezer combination dark brushed stainless steel

RVB 477

- Dark brushed stainless steel interior,
refined with solid anthracite
aluminum elements
- Warm white and glare-free LED light
concept for optimal food presentation
in all compartments
- Opening assist for door enabling
seamless integration without handles
- Flat dark brushed stainless steel
inner door
- Flexible positioning of shelves and
door racks through hidden rail
system
- Solid anthracite aluminum door bins
- Professional freshness system with
2 fresh climate drawers and
1 chilled drawer
- Internal water dispenser with water
filter
- Integrated ice maker with fixed water
connection
- Spacious, fully extendable freezer
compartment including 2 additional
interior drawers
- Full touch TFT display
- ENERGY STAR® certified
- Sabbath mode certified by Star-K
- Net volume 16.7 cu. ft. (473 liters)

Handling

Opening assist for door.
Cushioned door closing system.
Light and display response to drawer
interaction.
Automatic brightness adjustment based
on ambient illumination.
Easy accessible full touch TFT display.
Clear text display in 42 languages.
Animated quick guides to assist
appliance interaction.

Technical features

Dynamic cold air distribution.
Automatic defrosting with defrost
water evaporation.
Constant air purification by 2 activated
charcoal air filters.
Sabbath mode certified by Star-K.
Open-door and malfunction warning system.

Selected digital services (Home Connect)

Storage management with cameras.
Personalization function for saving
custom programs.
Remote control and monitoring.
Remote diagnostics.

Cooling compartment

Internal water dispenser with water filter.
Professional freshness system.
No-Frost technology with fast cooling.
Temperature adjustable from
35 °F to 46 °F (+2 °C to +8 °C).
3 aluminum-framed safety glass shelves,
individually adjustable in height.
1 integrated safety glass shelf with satin
matte finish.
Optimal food presentation with warm
white and glare-free, hidden LED light
bars (3000 K).
Flexible positioning of door racks
through hidden rail system.
6 door racks, thereof 4 height adjustable.
Total volume of all refrigerator
compartments: 11.1 cu.ft.

Fresh climate drawer

2 fresh climate drawers with humidity
control.
Temperature adjustable from
30 °F to 36 °F (-1 °C to +2 °C).
Ideal storage conditions for different

Optional accessories

RA 430 100

Storage container with transparent lid,
anthracite

Part #11031964

Egg holder insert (for use with
RA 430 100)

RA 450 022

Water filter cartridge for ice maker.

Part #11037377

Water filter bypass for home water
filtration system

RVA 438 040

Solid oak wood bottle support -
set of 1

RVA 450 220

Replacement activated charcoal air
filter, set of 2 pcs.

ACLETHST10

Ethylene absorber starter Kit

ACLETHR10

Ethylene absorber refill kit

foods through dedicated programs (e.g.
Fruit, Vegetables, Meat).
Individual adjustment of temperature and
humidity.
Extended food preservation with
ethylene absorber.
Indirect illumination, transparent front.
Fully extendable, with cushioned closing
system.

Chilled drawer

Temperature dependent on cooling
compartment (always 2-3 degrees lower).
Indirect illumination, transparent front.
Fully extendable, with cushioned closing
system.

Freezer compartment

No-frost technology with fast freezing
at -15 °F (-30 °C).
Temperature adjustable from -11 °F
to 3 °F (-24 °C to -16 °C).
Freezer burn protection.
Oxidation protection.
Storage time after a malfunction 10 h.
Spacious, fully extendable freezer
compartment with synchronously
running pull-out rails.
2 extendable interior drawers.
Warm-white, glare-free LED lighting
(3000 K) within freezer compartment.
Net volume 5.6 cu.ft.

Ice maker

Integrated automatic ice maker in the
freezer compartment, with fixed water
connection.
Ice maker can be switched off
independently.
Active charcoal water filter for water inlet,
integrated in ventilation grill area.
Saturation indicator for filter via full touch
TFT display.
Ice cube production approx.
5.5 lb (2.5 kg)/24 h.
Removable ice storage container with
approx. 7 lbs. (3.2 kg) capacity.
Integrated, easy accessible ice cube scoop.

Consumption data

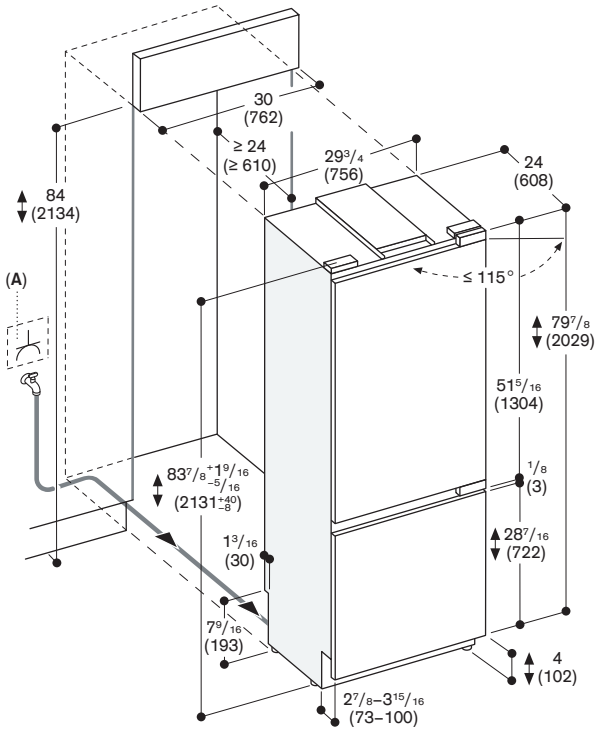
Energy consumption 560 kWh/year.
Noise level 39 dB(A) re 1 pW.

Planning notes

Flat hinge.
Door hinge right, reversible.
Door opening angle of 115°,
fixable at 90°.
Max. door panel weight:
Door 90 lbs (41 kg).
Drawer 22 lbs (10 kg).
When sabbath mode is active, the
appliance can only be opened using a
handle.
Shut-off valve for water connection must
be planned next to the appliance and
always be accessible.
If the water pressure exceeds 116 psi
(8 bar), connect pressure relief valve
between water tap and hose set.

Connection

Total rating 1,540 W/24 h.
Total Amps: 10 A.
Connecting cable 118" (3.0 m),
detachable.
Cold water connection required.
Electrical location 6" above ground in
lower left corner of unit.
Supply hose 70 3/8" (1.8 m) with 1/4" male
compression fitting (standard icemaker
connector).
Water pressure 29 to 116 psi.



A: Outlet

The maximum door panel dimensions are based on a clearance of 1/8" (3 mm)

The height of the toe kick can be reduced to 2" (50 mm)

Measurements in inches (mm)