



Vario 400 series freezer column RF 463

RF 463 707
Fully integrated.
Width 24" (61 cm).
Left-hinged only.

Included accessories

- Accessory for side-by-side installation (RA 460 000).
- supply hose, 47" (1.2 m) with 1/4" male compression fitting (standard icemaker connector).

Installation accessories

RA 422 611
Stainless steel door panel **with handle**.
For RF 463, panel thickness 3/8".

RA 423 140
Side trims used to conceal the gap between the appliance and adjacent cabinet. White powder coated metal.

RA 425 110
Stainless steel handle for freezer door.
With 3 mounts, length 44 1/2" (1,131 mm).

RA 428 811
Stainless steel door panel, **handleless**.
For RF 463, panel thickness 3/8".

RA 460 012
Additional side heating element 110 V.
Required if appliances are installed with a distance greater than 5/8" and less than 6 5/16" next to each other and for all built-in situations in a very humid environment. Not required if appliances are installed more than 6 5/16" apart from each other.

RA 460 020
Connecting element for custom cabinet fronts when panels are split vertically to create one door front.

RA 464 617
Ventilation grill stainless steel.
For RF 463, with filter, right-hinged.

RA 464 618
Ventilation grill stainless steel.
For RF 463, with filter, left-hinged.

Optional accessories

RA 450 022
Water filter cartridge.

Part #11037377
Water filter bypass for home water filtration system.

Highlights

- Stainless steel interior with solid anthracite aluminum elements.
- Warm white and glare-free LED light spots.
- Opening assist for door with two options:
 - Push-to-open function for integration into handleless cabinet front.
 - Pull-to-open function to facilitate opening the door using a handle.
- The drawers in the RC and RF models are positioned at the same height. With side-by-side installation, the glass shelves and door bins can be aligned on the same level.
- Material and aesthetics of interior as for RC model
 - Glass shelves
 - Solid anthracite aluminum door bins.
- Flat stainless steel inner door, full-length.
- Almost invisible rail system for shelves for flexible positioning.
- Integrated automatic ice maker with fixed water connection.
- Proximity sensor for ice and water dispenser.
- Illuminated dispenser for ice cubes, crushed ice and chilled water.
- TFT touch display.
- ENERGY STAR® certified.
- Sabbath mode certified by Star-K.
- Net volume 11.2 cu.ft.

Operation

TFT touch display operation.
Clear text display in 52 languages.
Touch key operation for ice and water dispenser.

Features

Dynamic cold air distribution with Multi-Flow Air System.
Automatic defrosting with defrost water evaporation.
Cushioned door closing system.
When rest mode (Sabbath mode) is active, the appliance can only be opened using a handle.
Open-door and malfunction alarm.

Home network integration for digital services (Home Connect) wireless via WiFi. The use of the Home Connect functionality depends on the Home Connect services, which are not available in every country.
For further information please check: home-connect.com.

Freezing

No-frost technology with fast freezing at -22 °F (-30 °C).
Temperature adjustable from 3 °F to -11 °F (-16 °C to -24 °C).
3 safety glass shelves, white glass, 2 of which are individually height adjustable.
1 integrated shelf with satin-finished glass.
2 fully extendable drawers with transparent front.
Brilliant LED light spots with warm white, glare-free light.
Net volume 11.2 cu.ft.

Ice and water dispenser

Warm white LED lighting.
Proximity sensor for automatic activation of light and touch keys for ice and water dispenser.
Integrated, with fixed inlet water connection.
Particle filter for water inlet, integrated in ventilation grill area.
Saturation indicator shown in TFT touch display.
Ice maker can be switched off independently.
Ice cube production approx. 3.1 lb (1.4 kg)/24 h.
Ice cubes and crushed ice.
Removable ice storage container with approx. 6.6 lbs. (3.2 kg) capacity.
Chilled water supply approx. .05 cu.ft. (1.5 liters).

Consumption data

Energy consumption 454 kWh/year.
Noise level 42 dB(A) re 1 pW.

Planning notes

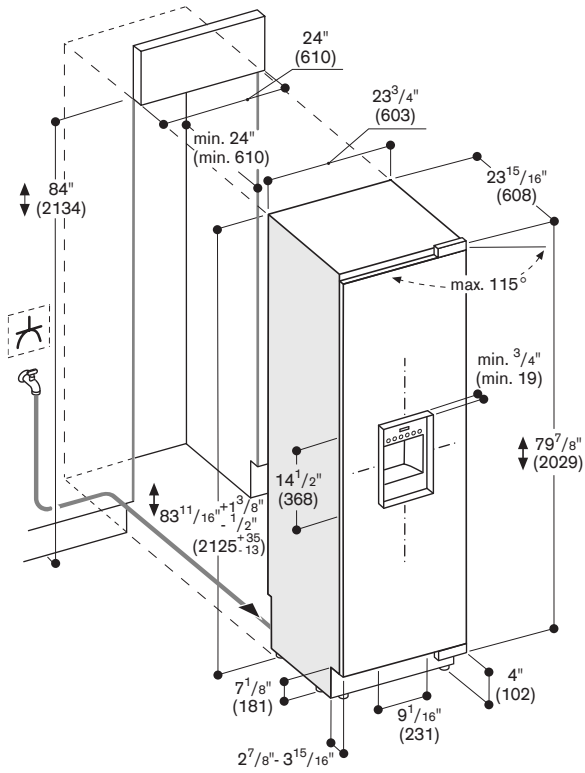
Flat hinge.
Door opening angle of 115°, fixable at 90°.
For an installation with a door opening angle of 90°, the drawers have a restricted access.
Max. door panel weight 147 lbs. (67 kg).
Ships with white ventilation grill.
Stainless steel grill is an optional accessory. No toe kick provided.
Shut-off valve for water connection must be planned next to the appliance and always be accessible.
If the water pressure exceeds 116 psi, connect pressure relief valve between water tap and hose set.

Please read additional planning notes on page 248-257.

Rating

Total rating: 1,240 W/24h.
Total Amps: 10 A.
120 V / 60 Hz
Connecting cable 118" (3.0 m), detachable.
Cold water connection required.
Electrical location 6" above ground in lower left corner of unit.
Supply hose 47,2" (1.2 m) with 1/4" male compression fitting (standard icemaker connector).
Water pressure 29 to 116 psi.
Electrical location 6" above ground in lower left corner of unit.





The door face dimensions are designed for a maximum gap of 1/8" (3 mm).
See more details on page 252.