



**Built-in microwave drawer**  
**MW 420**

**MW 420 621**  
Stainless steel.

**Highlights**

- Built-in microwave drawer, perfect for kitchen islands, under counter and wall applications.
- Can be installed perfectly flush in any standard depth cabinetry.
- Handleless microwave drawer  
One touch to open and close.
- Sensor cooking mode for easy cooking.
- 950 W microwave power.
- Net volume 1.2 cu.ft.

Oven interior dimensions:  
W 17 5/8" x H 7 1/8" x D 16 9/16"  
Appliance dimensions:  
W 23 7/8" x H 16 9/16" x D 23 3/8"

**Cooking modes**

10 preset auto sensor modes for cooking with 12 additional modes including melt, soften, keep warm, heating and reheating.

**Operation**

Hidden control panel tilts out for ergonomic operation.  
One touch to open and close the microwave drawer.

**Features**

Glass touch control panel and an interactive visual display.  
Digital display with scrolling text.  
Interior capacity accommodates 9" x 13" pans and cups up to 7" in height or 20 oz.  
Adjustable cooking time up to 99 minutes and 99 seconds.  
Keep warm setting allows food to be kept warm for up to 30 minutes.  
Sensor cooking mode controls humidity and automatically adjusts cooking level and cooking time for various foods and quantities.  
Quick defrost program.  
Sensor reheat program.  
Popcorn sensor cooking.  
Kitchen Timer.  
Maximum microwave output power 950 W.

**Safety**

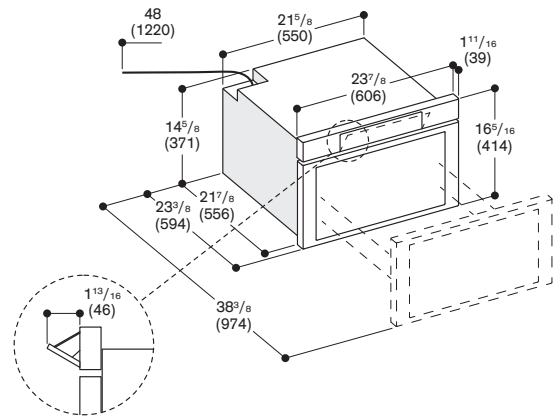
Child lock.

**Planning notes**

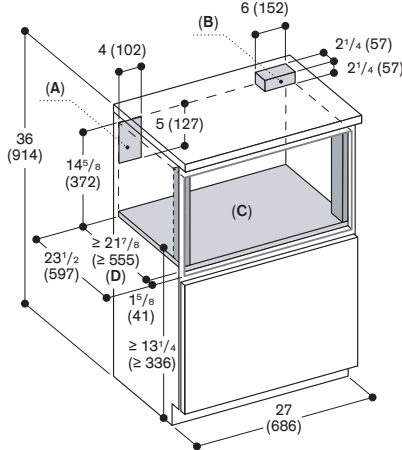
The built-in microwave drawer can be installed using a standard or flush (inset) installation (see adjacent drawings).  
Cabinet base support requirements: 100 pounds.  
Microwave drawer can be installed below a cooktop but requires a clearance of at least 2".

**Rating**

Total rating: 1,500 W.  
Total Amps: 15 A.  
120 V / 60 Hz  
Connecting cable 48" with grounding plug.



**Flush installation**



A: Recommended location of electrical outlet

B: Anti-tip block

C: Base should support up to 100 lb

D: Base depth

E: Front view of cut-out

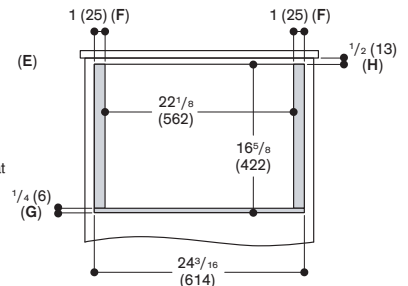
F: Sides should be finished and extend back to cleat

Cleats should also be finished, as they may be visible after installation

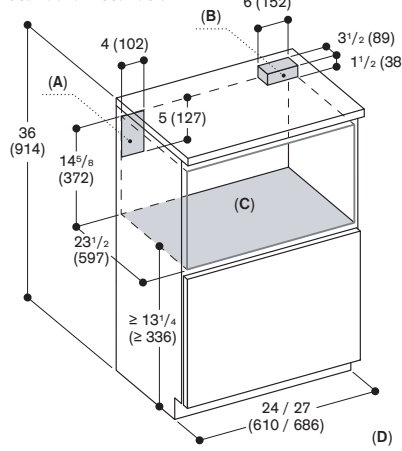
G: Base thickness

H: Visible area

If under a counter, minimum clearance to counter top should be 7/16" (11 mm)



**Standard installation**



A: Recommended location of electrical outlet

B: Anti-tip block

C: Base should support up to 100 lb

D: Front view of cut-out

E: Overlap

F: Visible area

If under a counter, minimum clearance to counter top should be 7/16" (11 mm)

