



Combi-steam oven
Gaggenau Expressive series
GS 470/GS 471

Right-hinged

GS 470 720
 Stainless steel behind smoked glass.
 Plumbed.
 Width 24" (60 cm).

Left-hinged

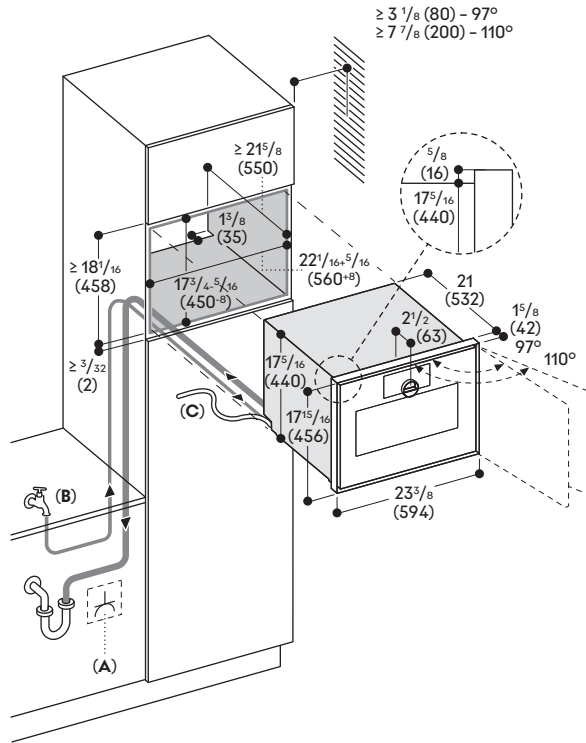
GS 471 720
 Stainless steel behind smoked glass.
 Plumbed.
 Width 24" (60 cm).

Included accessories

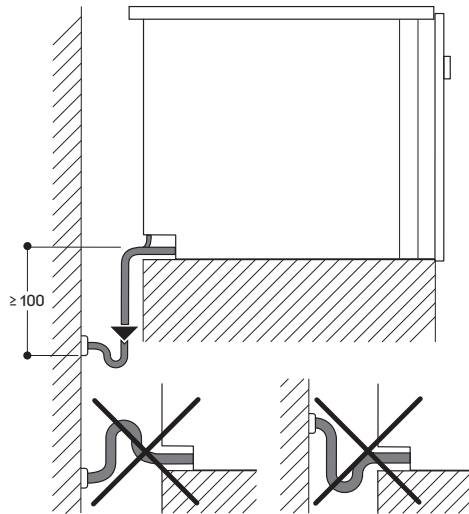
- 1 cooking container, stainless steel, perforated.
- 1 cooking container, stainless steel, unperforated.
- 1 wire rack.
- 1 water inlet hose 118" (3 m).
- 1 water outlet hose 118" (3 m).
- 4 cleaning cartridges.

Connection

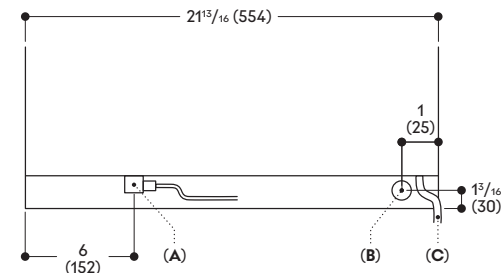
Total rating: 2,550 W (208 V);
 3,450 W (240 V).
 Total amps: 14.4 A.
 Minimum fuse protection: 15 A,
 double-pole breaker.
 120/208 - 240 V, 60 Hz, 3-wire.
 Plan for a 63" connecting cable
 (hardwire required).
 Home Connect® functionality via WiFi.



A: Accessible electrical connection
B: Accessible water connection
C: Fixed cable



View from rear



A: Electric terminal box
B: Water outlet
C: Cold water inlet

Numbers indicated
 inside parenthesis () = mm

www.gaggenau.com/us
 Revised: March 2025