



Combi-microwave oven
Gaggenau Expressive series
GM 450/GM 451

Right-hinged

GM 450 720

Stainless steel behind smoked glass.
 Width 24" (60 cm).

Left-hinged

GM 451 720

Stainless steel behind smoked glass.
 Width 24" (60 cm).

Included accessories

- 1 wire rack.
- 1 glass tray.

Installation accessories

GA 601 010

Gaggenau adjustable shelf.
 For vertical combination.
 Incl. mounting brackets, cover and screws.

Optional accessories

BA 010 050

Core temperature probe.
 Compatible with GO, GS, GM.

BA 036 166

Wire rack, chromium-plated.
 Without opening, with feet.

BA 046 118

Glass tray.
 1" deep (24 mm).

Highlights

- Handleless full glass door with electronic door opening.
- Full touch display with stainless steel control ring.
- Light and display response upon user detection.
- Single operation and combination of microwave and oven.
- Automatic programs and setting recommendations.
- Oven cavity size 1.6 cu.ft. (46 liters).

Heating methods / Programs

Microwave operation with 6 output levels: max. 1000, 600, 450, 360, 180, 90 W.

Oven operation with 9 heating methods:

- Convection from 86 °F to 445 °F.
 - Broil + circulated air from 86 °F to 445 °F.
 - Warming up beverages, with max. microwave level.
 - Warming up meals from 360 W to 600 W.
 - Dehydrating from 86 °F to 176 °F.
 - Low temperature cooking from 86 °F to 194 °F + microwave.
 - Dough proofing from 86 °F to 122 °F.
 - Keeping warm, with special microwave level.
 - Defrosting from 90 W to 360 W.
- Convection and broil + circulated air freely combinable with microwave output levels 450, 360, 180 and 90 W. 70 programs (automatic programs and setting recommendations). Option to save up to 30 favorites.

Operation

Soft-close side-opening door with 110° opening angle.
 Electronic door opening.
 Full touch display with control ring. 42 display languages available.
 User detection, adjustable distance.
 Information key with use indicators.
 Animated quick guides to assist appliance operation.

Features

Innowave (inverter technology) for uniform microwave output.
 Precise temperature control with display of the current temperature. Broil can be added briefly in convection mode for additional browning.
 Connection for core temperature probe (oven temperature probe usable).
 Programmable automatic door opening at cooking time end to avoid overcooking.
 Timer functions: cooking time, cooking time end, count-up timer.
 Long-term timer.
 Convection fan rotates in both directions for ideal heat distribution.
 Optimum visibility of the food thanks to side lighting.
 2 rack levels and option of placing the food in suitable accessories directly on the cooking compartment floor.

Selected digital services

(Gaggenau Home Connect®)
 Remote control and monitoring.
 Cooking time estimation when using the core temperature probe.
 Door opening via voice assistant.

Safety

Child lock to prevent accidental switch on or operation of the appliance.
 Electronic door lock to prevent unintentional opening of the appliance door.
 Safety shut-off.
 Thermally insulated door with triple glazing.
 Cooled housing with temperature protection.

Cleaning

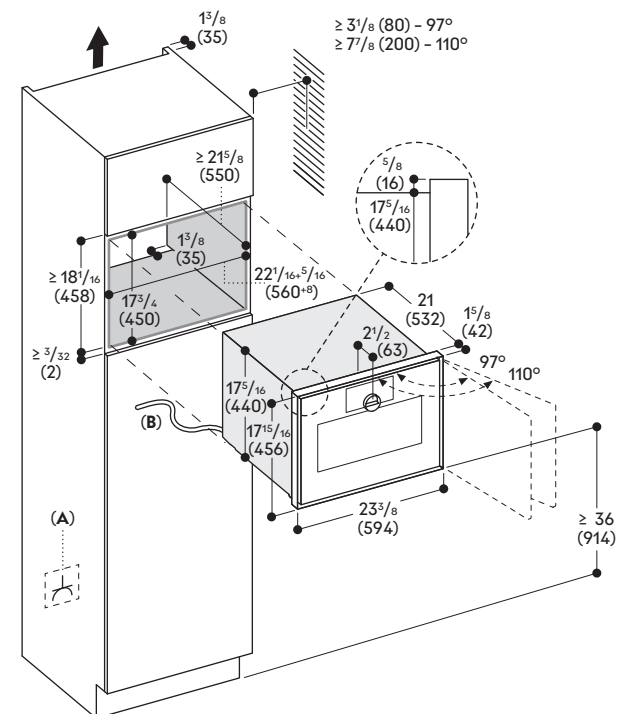
Hygienic stainless steel interior with heat resistant glass base.
 Cleaning aid programme.

Planning notes

Plan the cutout without back wall.
 Door hinge not reversible.
 Protrusion from appliance front to cabinet 1 5/8" (42 mm).
 Consider the overhang when planning to open drawers next to the appliance.
 When planning a corner solution, pay attention to the side-opening door and the minimum required distance to the wall.
 Door opening angle appr. 110° (delivery status) can be reduced to appr. 97° if required.
 The electrical box must be accessible and located outside the built-in cutout.
 To comply with UL/CSA norm, the lower edge of the Combi-microwave front must be at a minimum height of ≥ 36" (914 mm).

Rating

Total rating: 2,300 W (208 V);
 2,900 W (240 V).
 Total amps: 12.1 A.
 Minimum fuse protection: 20 A, double-pole breaker.
 120/208 - 240 V, 60 Hz, 4-wire
 Plan for a 59" connecting cable (hardwire required).
 Home Connect® functionality via WiFi.



A: Accessible electrical connection

B: Fixed cable

* The width tolerance as shown in the drawing indicated by the + 5/16" (+8 mm) is the adjustment possible within the cabinet. Adjustments can be made between 5/8" - 13/16" (16-20 mm) for installation using the "centering parts" within the cabinet for perfect alignment. See installation instructions for details.