



**200 series gas cooktop**  
**CG 280**

**CG 280 212CA**  
Stainless steel control panel.  
Width 30" (76 cm).  
Natural Gas.

**Highlights**

- Control panel for comfortable and secure operation.
- Mechanical power level regulation for 9 power levels, with exact setting and reproduction of flame size.
- Solid smooth-surface cast-iron pan support.
- Up to 42,700 BTU (12.5 kW) on 5 burners.

**Cooking zones**

- 1 multi-ring wok burner 17,000 BTU.
- 1 high output burner 10,300 BTU.
- 2 standard burners 6,000 BTU.
- 1 economy burner 3,400 BTU.

**Operation**

- Control knobs with illuminated rings.
- Integrated control panel.
- One-handed Operation.
- Electronic ignition.

**Features**

- Three-part cast iron pan support with flat, continuous pot surface.

**Safety**

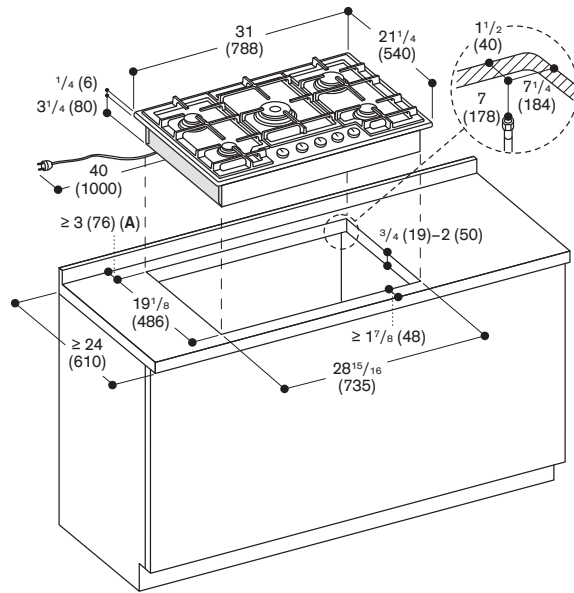
- Thermoelectric safety pilot.
- Residual heat indicator.
- Operation indicator.

**Planning notes**

- The cooktop can only be surface-mounted.
- A minimum lateral clearance of at least 13" (330 mm) from adjacent heat-sensitive furniture or contact surfaces must be observed or thermal insulation fitted.
- With a total connected load of more than 37,533 BTU (11 kW), local regulations concerning room ventilation, room size, and combination of extraction or recirculation hoods must be observed.
- Minimum distance between gas cooktop(s) with more than 37,533 BTU (11 kW) and ventilation hood must be 30" (76 cm).
- Appliance weight: approx. 42 lbs (19 kg).

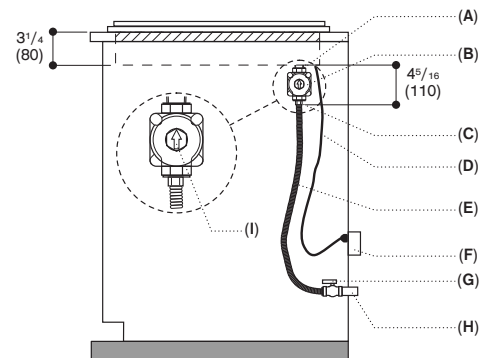
**Rating**

- Total rating: 42,700 BTU (12.5 kW).
- Total Amps: 1 A. 120 V / 60 Hz
- Connecting cable 40" (100 cm) with ground plug.



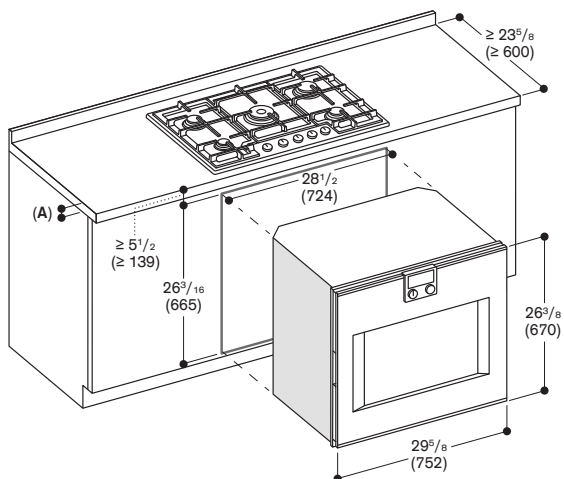
A:  $\geq 24"$  (100 mm) for installation in a kitchen island

**Side view – gas cooktop installation**



- A:  $3/8"$  (9.5 mm) NPT
- B: Gas regulator
- C:  $1/2"$  (12.7 mm) NPT
- D: Power cable 4" (100 mm)
- E: Flexible gas line
- F: 120 V socket
- G: Gas cut-off valve
- H: Gas supply line stub-out
- I: Arrow on the pressure regulator shows the direction of gas flow

**Gas hob CG280212CA with BO480613**



A: Min. countertop thickness  $3/4"$  (20 mm) for surface mounted installation

Numbers indicated inside parenthesis ( ) = mm

www.gaggenau.com/us  
Revised: December 2024