

200 series Visor hood AF 210

AF 210 791

Stainless steel handle bar.
Width 36" (90 cm).
HVI CFM: 370, High Speed.
Air extraction/Air recirculation.

Installation accessories

AA 210 492

Lowering frame for 36" AF visor hood, enables hood to disappear behind cabinetry. Please also order flexible duct (Part # 00361093).

AA 210 491

Mounting set for 36" upper cabinet. Required for installation of 36" AF visor hood if AA 210 492 lowering accessory isn't used.

Optional accessories

Part # 11023685

1 activated charcoal filter with high efficient odor reduction. For use with air air recirculation module Part # 17004653.

Part # 17004653

Patented air air recirculation module including 1 activated charcoal filter with high efficient odor reduction. For air recirculation.

Refer to page 196 for detailed information on the recirculation and lowering frame accessory.

Installation accessories for the air recirculation ducts can be found starting on page 196.

Appliance width 36" combinable with:

Vario cooktops 400 series

VI 41x
VI 42x
VI 49x
VG 41x
VG 42x
VG 49x
VP 41x
VR 41x

Vario cooktops 200 series

VI 23x
VI 24x
VI 26x
VG 23x
VG 26x

Cooktops 400 series

CX 48x
CX 49x

Cooktops 200 series

CI 28x
CI 29x
VG 29x

Good to know:

The hood can be as large as the cooktop(s).

Model AF 210791

Blower internal

Exhaust Discharge: vertical
Speed: High Speed
Static Pressure (in H2O): 0.1"
HVI Wats: 296
CFM/Watt: 1.27
HVI CFM: 370
Sones (Reportable): 6.0

Model AF 210791

Blower internal

Exhaust Discharge: vertical
Speed: Working Speed
Static Pressure (in H2O): 0.030"
HVI Wats: 194
CFM/Watt: 1.03
HVI CFM: 200
Sones (Reportable): 1.5

Highlights

- Unobtrusive visor hood design thanks to integrated glass sheet in the steam screen.
- Especially quiet operation thanks to integrated sound insulation.
- Steam screen extends by pulling the handle bar.
- Especially high air output.
- Energy-saving, low-noise fan.
- Function for automatic, sensor-controlled power adjustment depending on the build-up of cooking vapors.
- Dimmable, neutral white LED light for ideal illumination of the cooktop.
- The patented lowering frame allows the visor hood to disappear completely into the upper cabinet.
- Air extraction or air recirculation system.
- Air recirculation module with activated charcoal filter: quiet and highly efficient air recirculation solution with odor reduction as in air extraction mode and long replacement intervals.

Output

Performance and noise level, output level 3/Intensive:
Air extraction:
57 / 71 dB(A) re 1 pW
Air recirculation:
62 / 69 dB(A) re 1 pW
Odor reduction air recirculation: >90%

Features

Controls at front.
3 electronically controlled power levels and 1 intensive mode.
Automatic function with sensor-controlled run-on function.
Grease filter saturation indicator.
Stainless steel grease filter, dishwasher-safe.
Neutral white LED light (3500 K), continuously dimmable.
Lamp output 3x 1.5 W.
Illuminance 355 lx.
Light can be switched on separately.
Fan technology with highly efficient, brushless DC motor (BLDC).
Integrated sound insulation for quiet operation.
The blower is activated when the steam screen is extended.
Patented technology for extension of the steam screen.

Extendable steam screen up to 7¹⁵/₁₆".
Airflow-optimized interior for efficient air circulation and ease of cleaning.
Patented easy mounting system for simple installation.
The package includes a one-way flap.

Planning notes

For 36" AF 210 visor hood AA210491 mounting set is required. When lowering frame for 36" AF 210 visor hood is used, mounting set is not required.

A flexible duct (Part # 00361093) is needed when installed with lowering frame.

Patented air recirculation module with activated charcoal filter can be installed in the upper cabinet. The activated charcoal filter can be changed from the front by simply pulling out the filter.

The door of the upper cabinet must be fully open in order to exchange the activated charcoal filter.

To be installed in an upper cabinet without base.

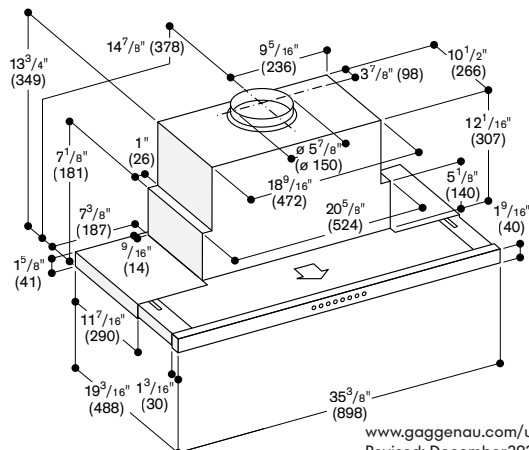
The required cavity depth of the upper cabinet together with the lowering frame measures 13³/₄".
The required cavity height of the upper cabinet together with the lowering frame measures 23⁵/₈".
Minimum clearance above gas cooktops 25¹/₂". If the instructions for installation for the gas cooktop specify a greater distance, this must be adhered to.

Minimum clearance above induction cooktops 17".

Rating

Total rating: 430 W.
Total Amps: 10 A.
120 V / 60 Hz.
Connecting cable 35.4" with plug.

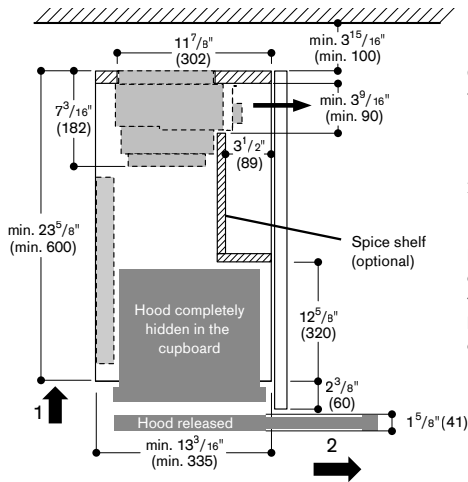
Measurement drawing of 36" AF visor hood



Numbers indicated inside parenthesis () = mm

www.gaggenau.com/us
Revised: December 2024

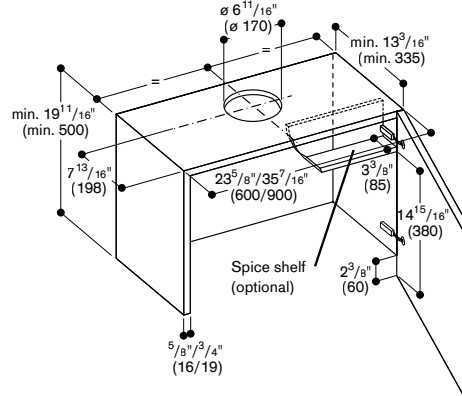
Cross-section of upper cabinet with AA 211 812 air recirculation module and lowering frame AA 210 490/460



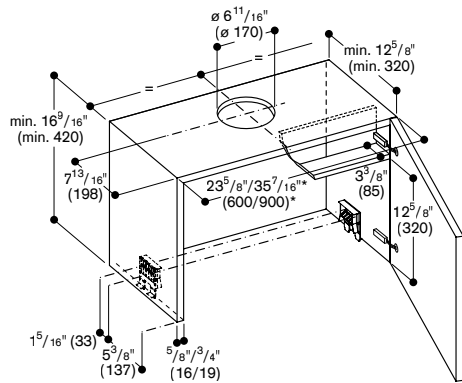
- Operating:
1. To lower the hood, push it upwards by pressing on the center of the handle strip.
 2. Expansion of the steam screen

Refer to page 196 for detailed information on the recirculation and lowering frame accessory.

Upper cabinet for AF visor hood with lowering frame AA 210 460/AA 210 490

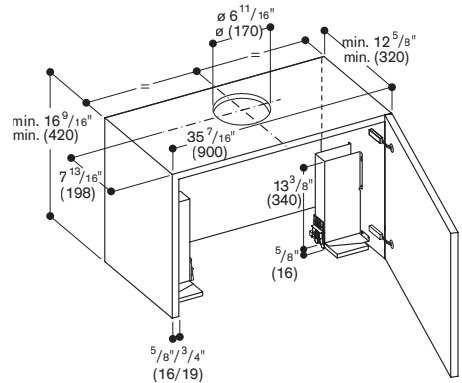


Upper cabinet for 24\"/>

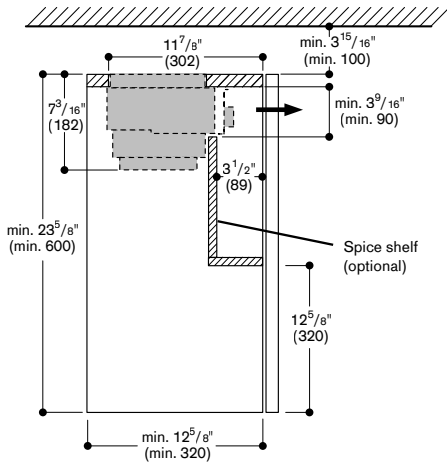


* for a 36\"/>

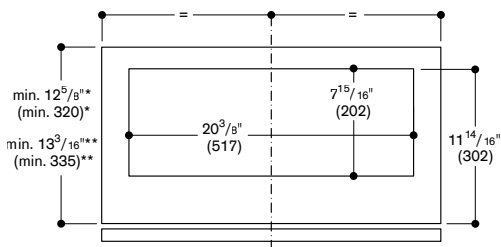
Upper cabinet for 36\"/>



Cross-section of upper cabinet with AA 211 812 air recirculation module

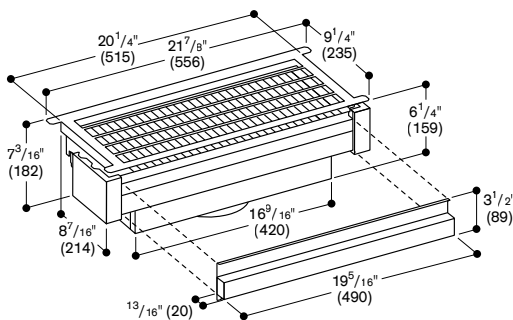


View from above of upper cabinet with AA 211 812 air recirculation module



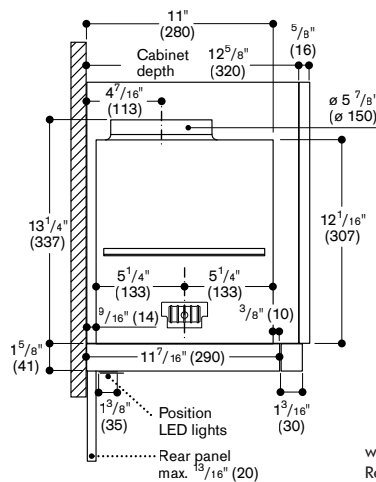
* only appliance
 ** Appliance with lowering frame AA 210 490/460

AA 211 812 air recirculation module



removable filter frame

Numbers indicated inside parenthesis () = mm



www.gaggenau.com/us
 Revised: December 2024