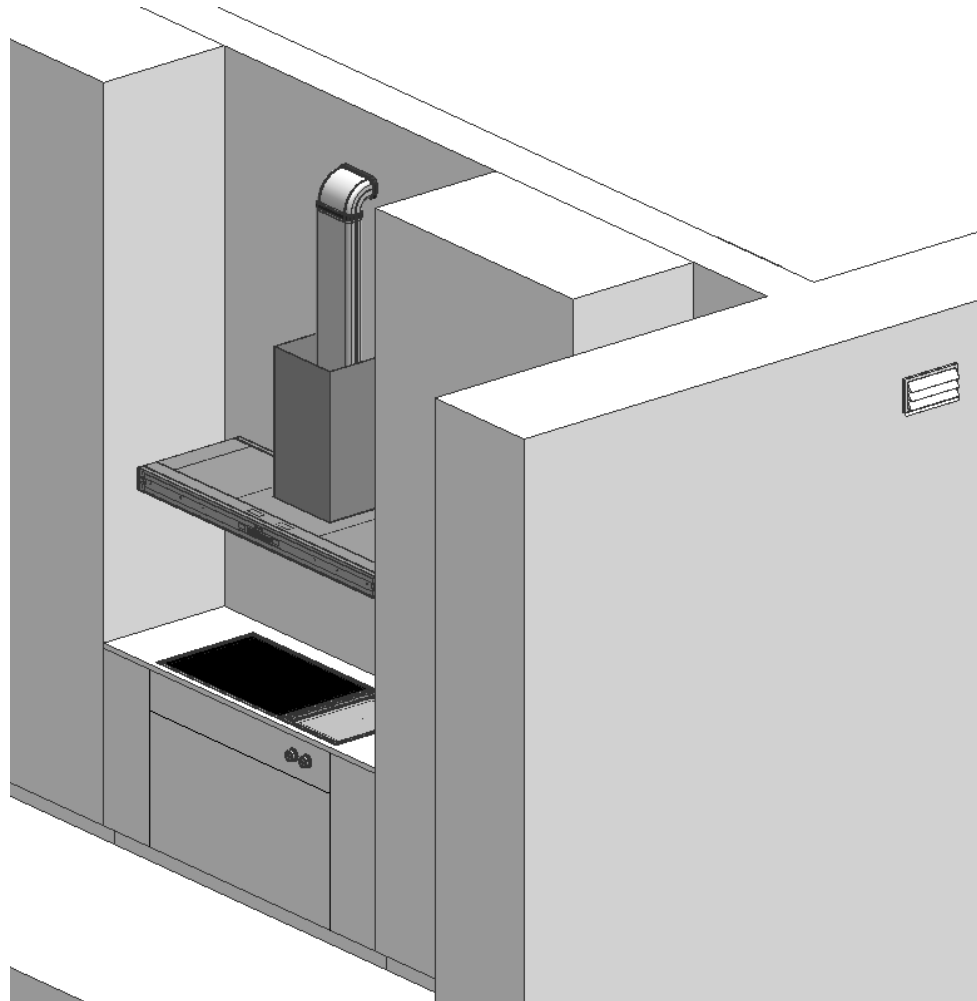


AW442 Wall Configuration.

AW442720/760 wall hood + AR400742 inline blower

Configuration	AW 442 760 + AR400 742	Min. Work depth	- mm	Ventilation mode	Extraction
Type reference cooktops	CX 482 610 + VP 414 611	Type reference ventilation appliance	AW 442 760	Type reference remote fan unit	AR 400 742

Installation view



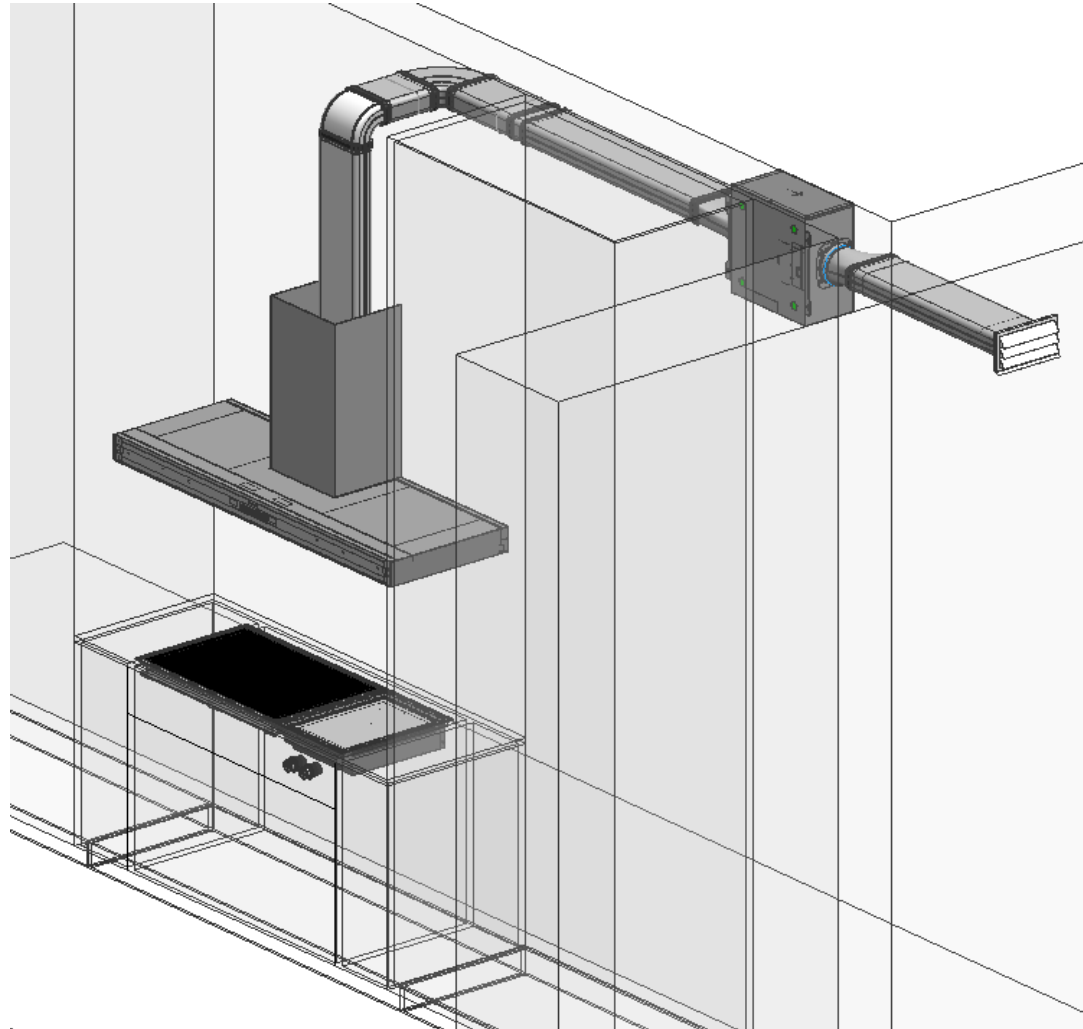
BSH Hausgeräte GmbH, Carl-Wery-Strasse 34, 81739 Munich, Germany
 Chairman of the Supervisory Board: Prof. Dr. Stefan Asenkerschbaumer
 Directors: Uwe Raschke (Chairman), Dr. Gerhard Dambach, Matthias Ginthum, Dr. Silke Maurer
 Registered Office: Munich; Registry Court: Amtsgericht München, HRB 75534, WEEE-Reg.-No. DE 57986696

The drawing is provided only as an example.
 Please pay attention to the technical installation drawings in the Gaggenau Models and Dimensions. The technical drawings are not based on customer data and are merely for installation recommendation. The exact installation must be verified by the kitchen studio on an individual customer basis.

22. April 2020

Configuration	AW 442 760 + AR400 742	Min. Work depth	- mm	Ventilation mode	Extraction
Type reference cooktops	CX 482 610 + VP 414 611	Type reference ventilation appliance	AW 442 760	Type reference remote fan unit	AR 400 742

Installation view

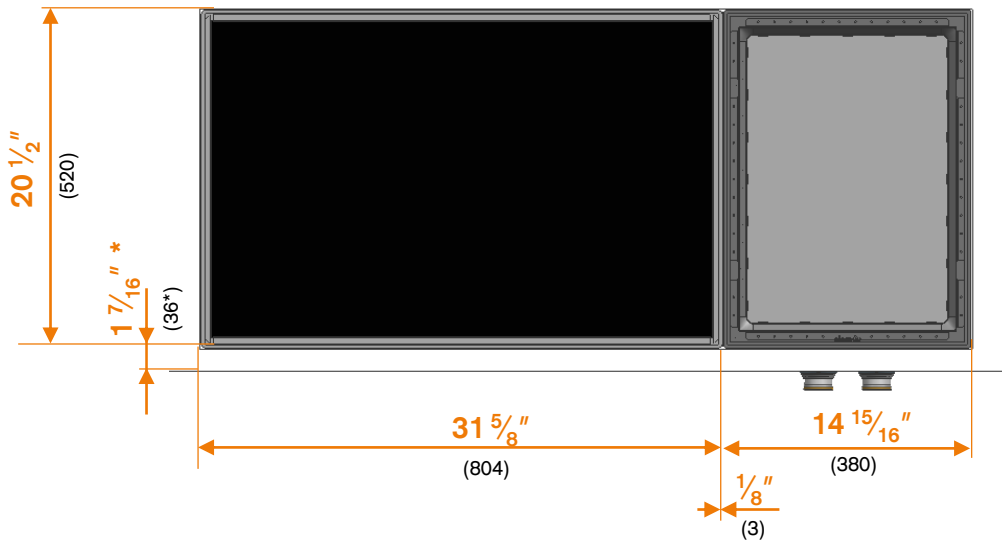


BSH Hausgeräte GmbH, Carl-Wery-Strasse 34, 81739 Munich, Germany
 Chairman of the Supervisory Board: Prof. Dr. Stefan Asenkerschbaumer
 Directors: Uwe Raschke (Chairman), Dr. Gerhard Dambach, Matthias Ginthum, Dr. Silke Maurer
 Registered Office: Munich; Registry Court: Amtsgericht München, HRB 75534, WEEE-Reg.-No. DE 57986696

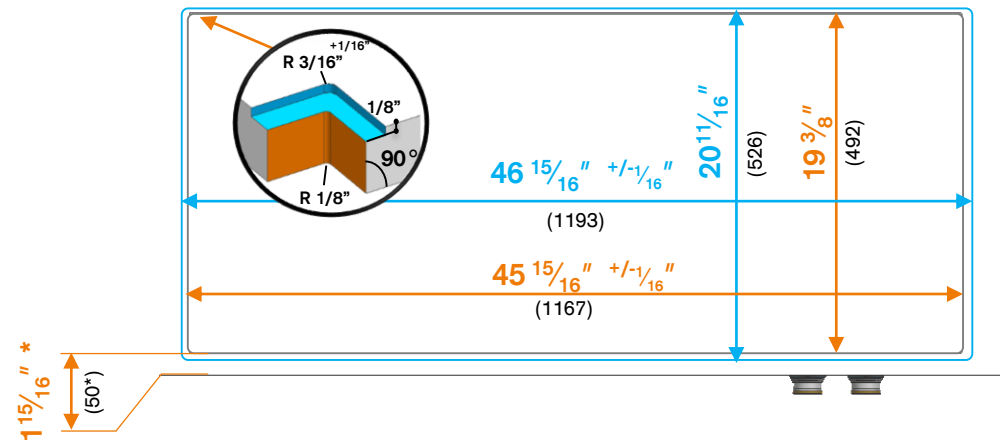
The drawing is provided only as an example.
 Please pay attention to the technical installation drawings in the Gaggenau Models and Dimensions. The technical drawings are not based on customer data and are merely for installation recommendation. The exact installation must be verified by the kitchen studio on an individual customer basis.

22. April 2020

Configuration	AW 442 760 + AR400 742	Min. Work depth	- mm	Ventilation mode	Extraction
Type reference cooktops	CX 482 610 + VP 414 611	Type reference ventilation appliance	AW 442 760	Type reference remote fan unit	AR 400 742



Cut out dimension. **Flush mounting**

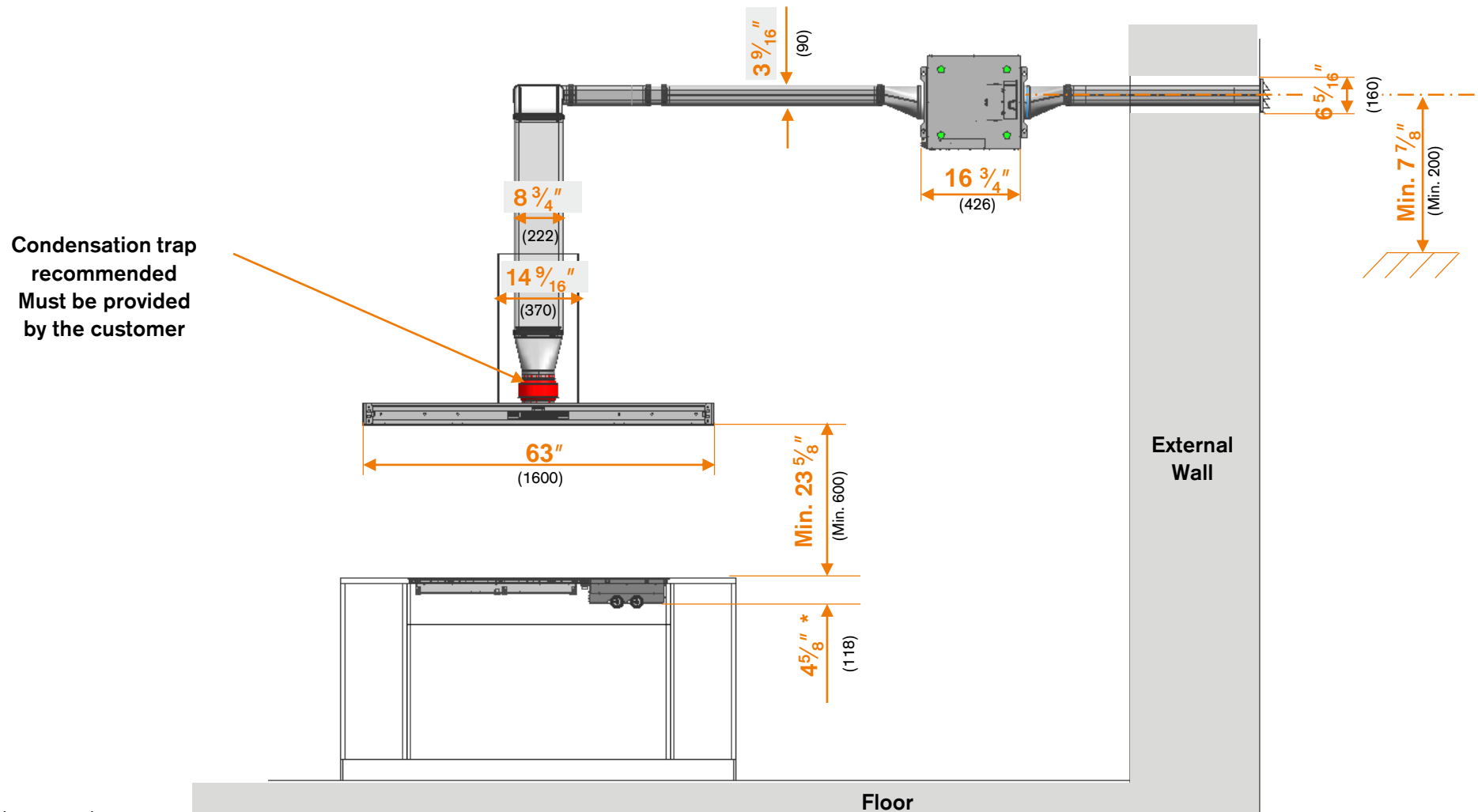


*: Minimum distance. Distance can be adjusted

** : Recommended distance.

22. April 2020

Configuration	AW 442 760 + AR400 742	Min. Work depth	- mm	Ventilation mode	Extraction
Type reference cooktops	CX 482 610 + VP 414 611	Type reference ventilation appliance	AW 442 760	Type reference remote fan unit	AR 400 742



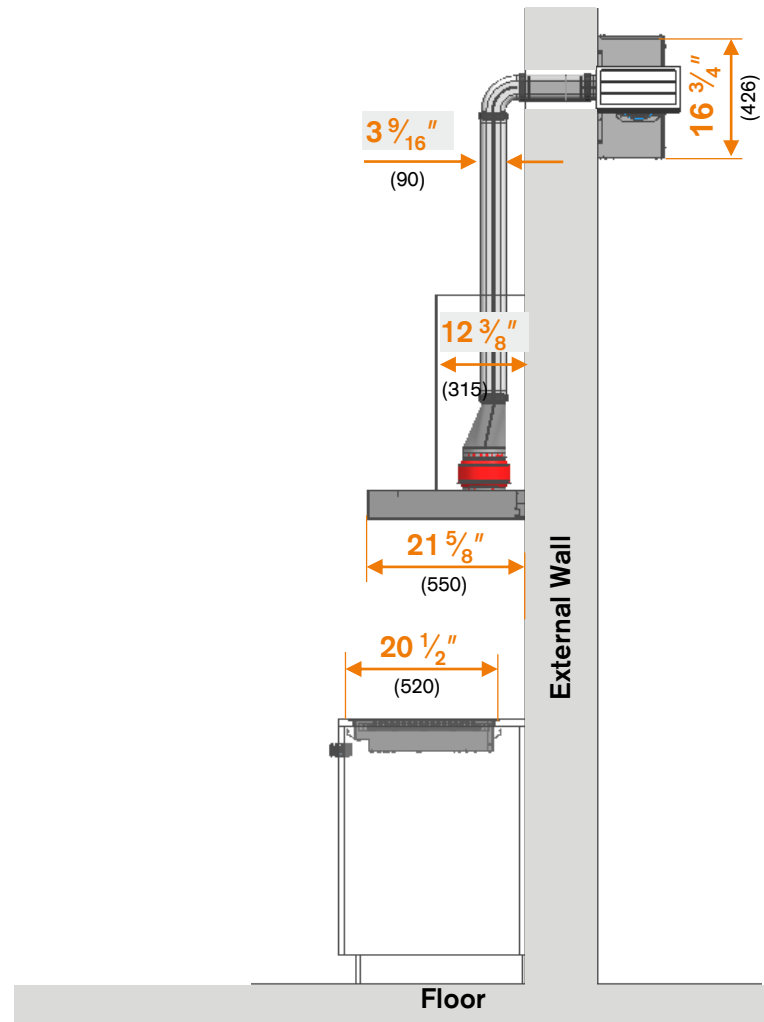
* : For flush mounted

BSH Hausgeräte GmbH, Carl-Wery-Strasse 34, 81739 Munich, Germany
 Chairman of the Supervisory Board: Prof. Dr. Stefan Asenkerschbaumer
 Directors: Uwe Raschke (Chairman), Dr. Gerhard Dambach, Matthias Ginthum, Dr. Silke Maurer
 Registered Office: Munich; Registry Court: Amtsgericht München, HRB 75534, WEEE-Reg.-No. DE 57986696

The drawing is provided only as an example. Please pay attention to the technical installation drawings in the Gaggenau Models and Dimensions. The technical drawings are not based on customer data and are merely for installation recommendation. The exact installation must be verified by the kitchen studio on an individual customer basis.

22. April 2020

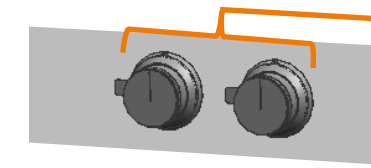
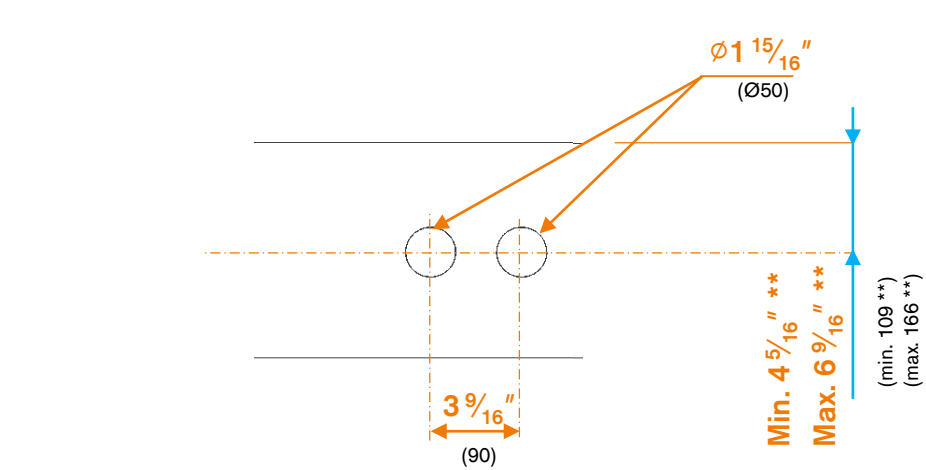
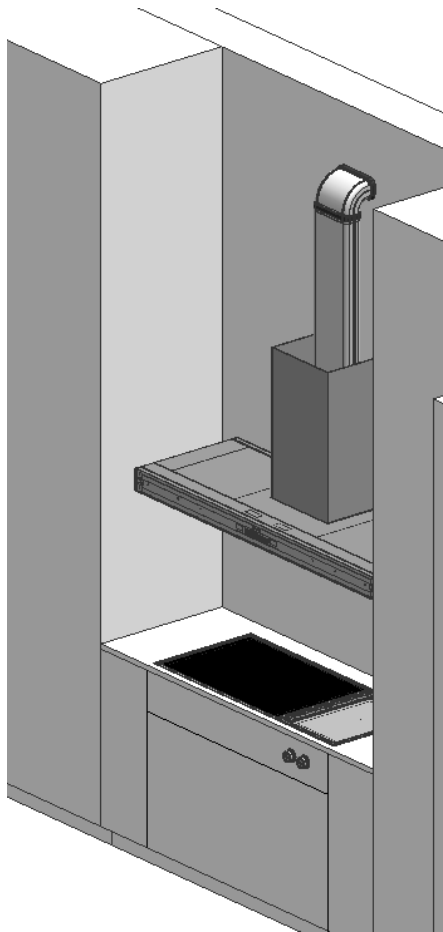
Configuration	AW 442 760 + AR400 742	Min. Work depth	- mm	Ventilation mode	Extraction
Type reference cooktops	CX 482 610 + VP 414 611	Type reference ventilation appliance	AW 442 760	Type reference remote fan unit	AR 400 742



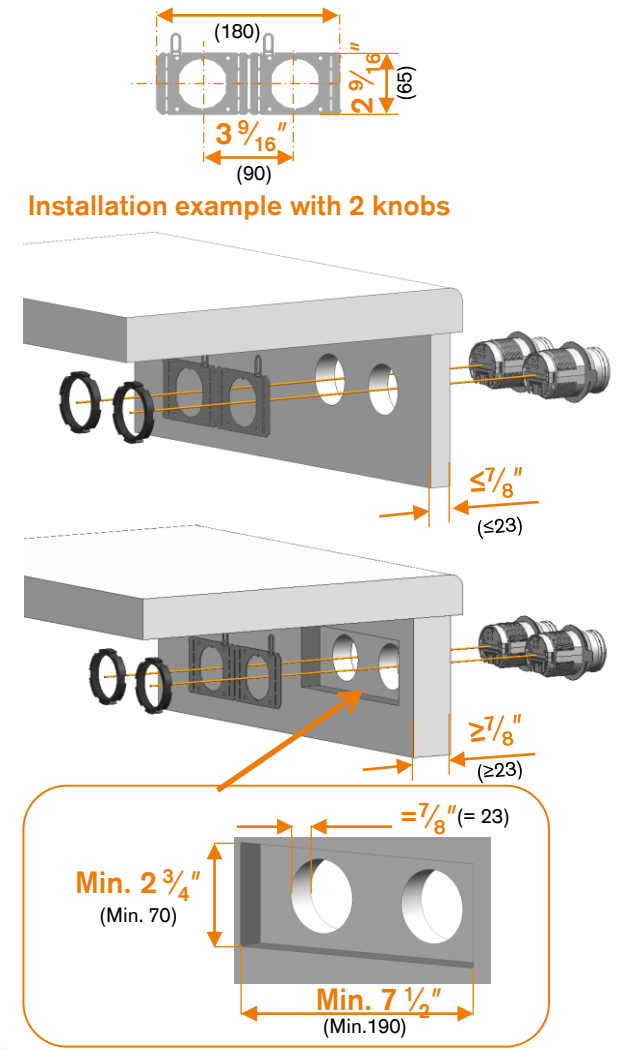
BSH Hausgeräte GmbH, Carl-Wery-Strasse 34, 81739 Munich, Germany
 Chairman of the Supervisory Board: Prof. Dr. Stefan Asenkerschbaumer
 Directors: Uwe Raschke (Chairman), Dr. Gerhard Dambach, Matthias Ginthum, Dr. Silke Maurer
 Registered Office: Munich; Registry Court: Amtsgericht München, HRB 75534, WEEE-Reg.-No. DE 57986696

The drawing is provided only as an example. Please pay attention to the technical installation drawings in the Gaggenau Models and Dimensions. The technical drawings are not based on customer data and are merely for installation recommendation. The exact installation must be verified by the kitchen studio on an individual customer basis.

Configuration	AW 442 760 + AR400 742	Min. Work depth	- mm	Ventilation mode	Extraction
Type reference cooktops	CX 482 610 + VP 414 611	Type reference ventilation appliance	AW 442 760	Type reference remote fan unit	AR 400 742



**** : for a flush mounting installation**
 (inside parenthesis) = mm



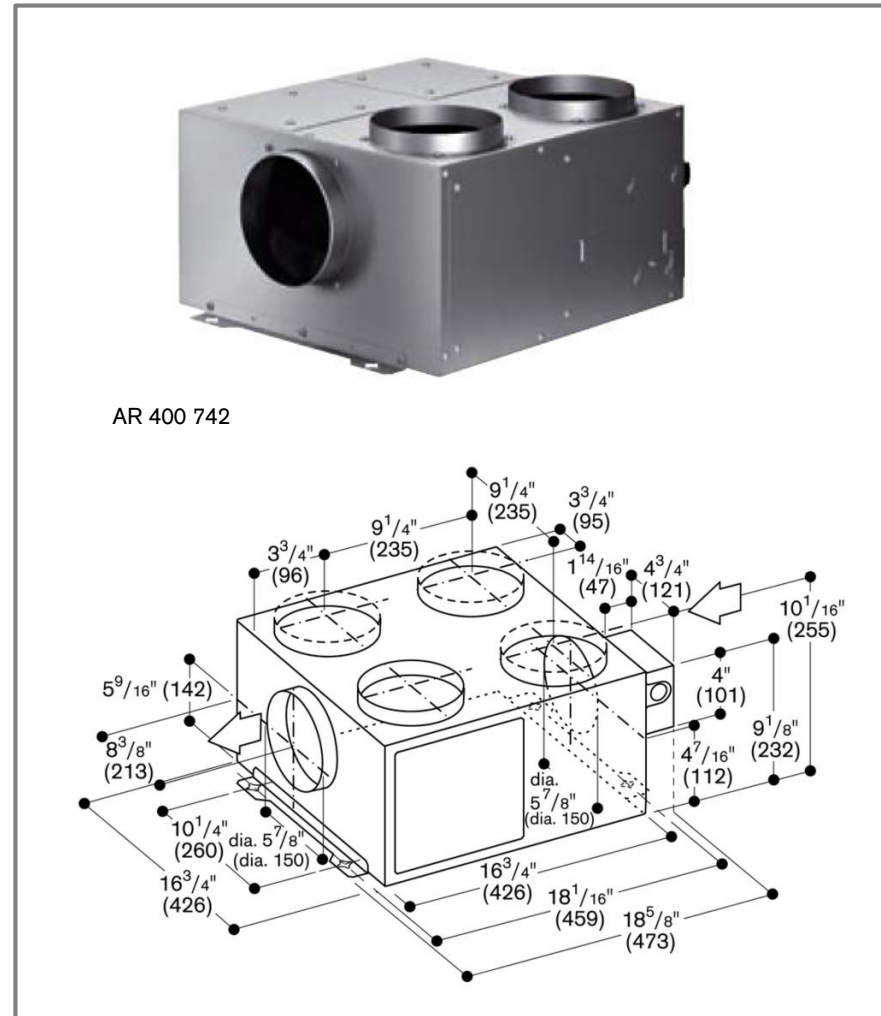
The drawing is provided only as an example.
 Please pay attention to the technical installation drawings in the Gaggenau Models and Dimensions. The technical drawings are not based on customer data and are merely for installation recommendation. The exact installation must be verified by the kitchen studio on an individual customer basis.

BSH Hausgeräte GmbH, Carl-Wery-Strasse 34, 81739 Munich, Germany
 Chairman of the Supervisory Board: Prof. Dr. Stefan Asenkerschbaumer
 Directors: Uwe Raschke (Chairman), Dr. Gerhard Dambach, Matthias Ginthum, Dr. Silke Maurer
 Registered Office: Munich; Registry Court: Amtsgericht München, HRB 75534, WEEE-Reg.-No. DE 57986696

22. April 2020

Configuration	AW 442 760 + AR400 742	Min. Work depth	- mm	Ventilation mode	Extraction
Type reference cooktops	CX 482 610 + VP 414 611	Type reference ventilation appliance	AW 442 760	Type reference remote fan unit	AR 400 742

Information about remote fan unit AR 400 742



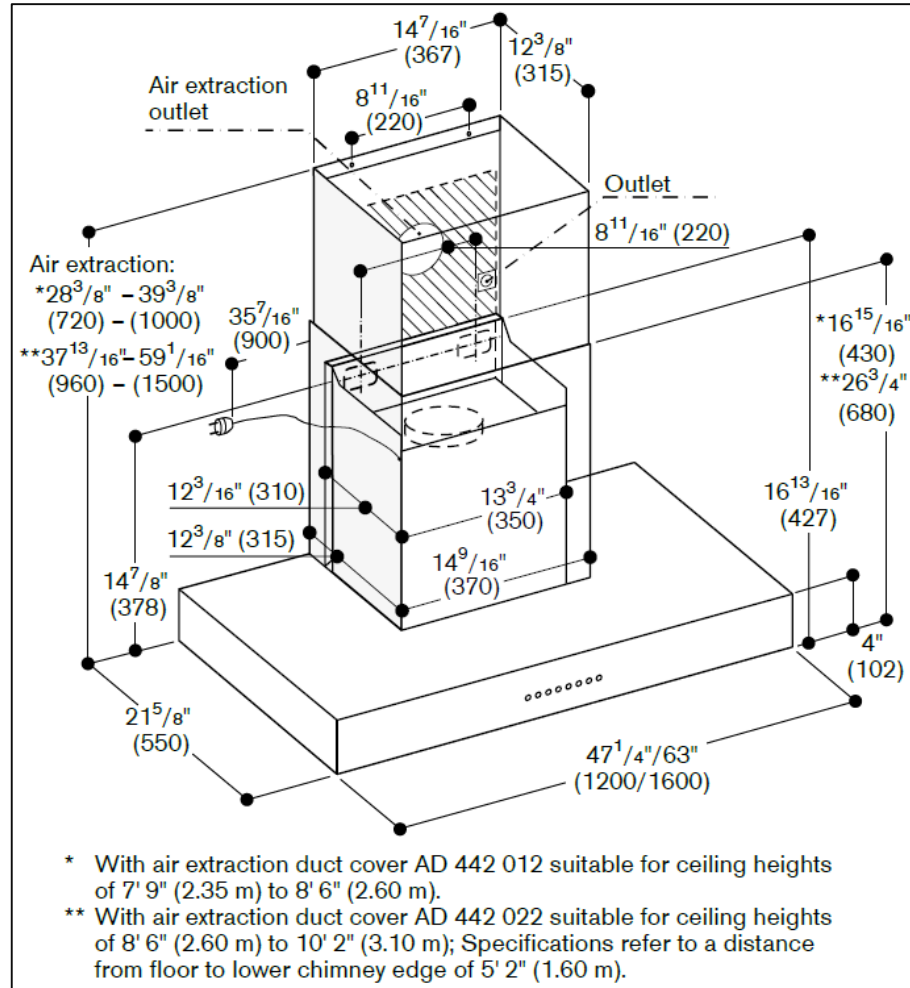
BSH Hausgeräte GmbH, Carl-Wery-Strasse 34, 81739 Munich, Germany
 Chairman of the Supervisory Board: Prof. Dr. Stefan Asenkerschbaumer
 Directors: Uwe Raschke (Chairman), Dr. Gerhard Dambach, Matthias Ginthum, Dr. Silke Maurer
 Registered Office: Munich; Registry Court: Amtsgericht München, HRB 75534, WEEE-Reg.-No. DE 57986696

The drawing is provided only as an example.
 Please pay attention to the technical installation drawings in the Gaggenau Models and Dimensions. The technical drawings are not based on customer data and are merely for installation recommendation. The exact installation must be verified by the kitchen studio on an individual customer basis.

22. April 2020

Configuration	AW 442 760 + AR400 742	Min. Work depth	- mm	Ventilation mode	Extraction
Type reference cooktops	CX 482 610 + VP 414 611	Type reference ventilation appliance	AW 442 760	Type reference remote fan unit	AR 400 742

Information about remote fan unit AW 442 760



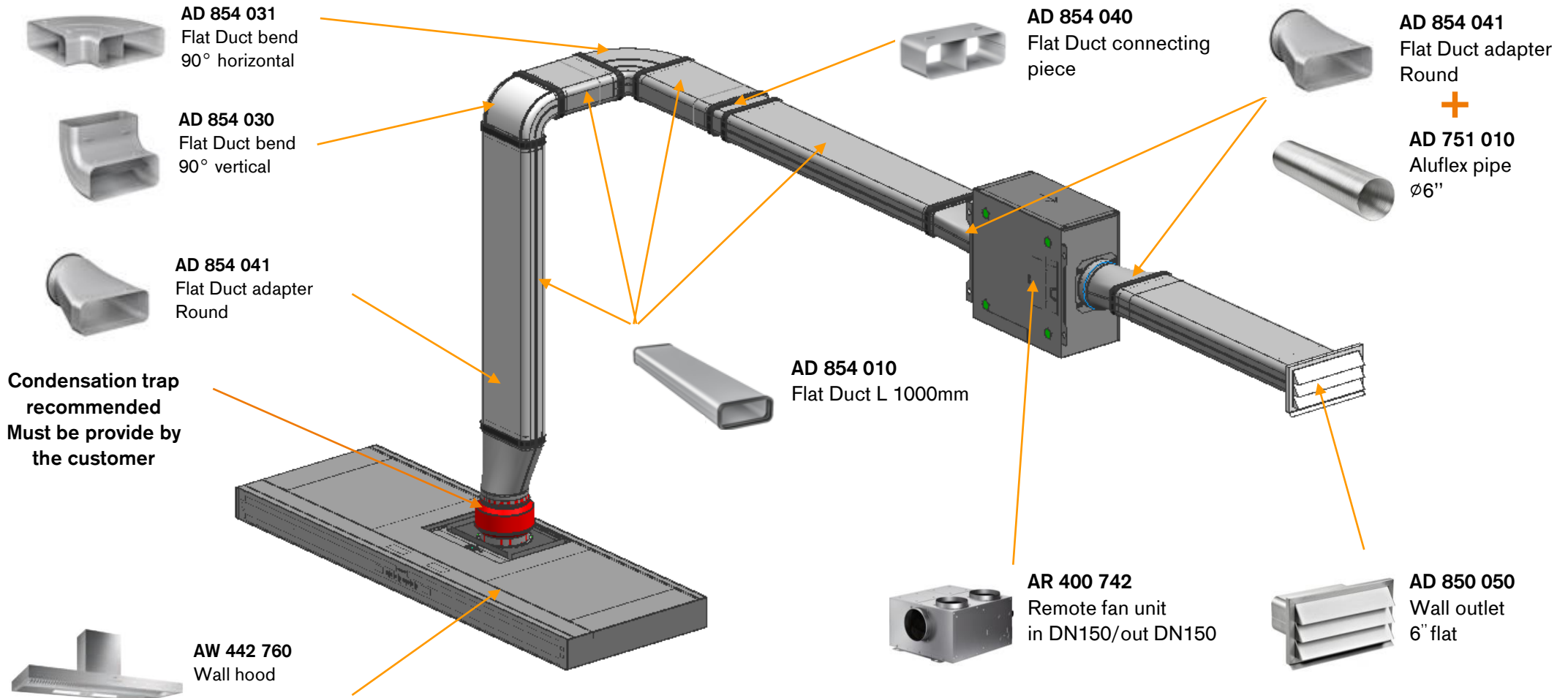
BSH Hausgeräte GmbH, Carl-Wery-Strasse 34, 81739 Munich, Germany
 Chairman of the Supervisory Board: Prof. Dr. Stefan Asenkerschbaumer
 Directors: Uwe Raschke (Chairman), Dr. Gerhard Dambach, Matthias Ginthum, Dr. Silke Maurer
 Registered Office: Munich; Registry Court: Amtsgericht München, HRB 75534, WEEE-Reg.-No. DE 57986696

The drawing is provided only as an example. Please pay attention to the technical installation drawings in the Gaggenau Models and Dimensions. The technical drawings are not based on customer data and are merely for installation recommendation. The exact installation must be verified by the kitchen studio on an individual customer basis.

22. April 2020

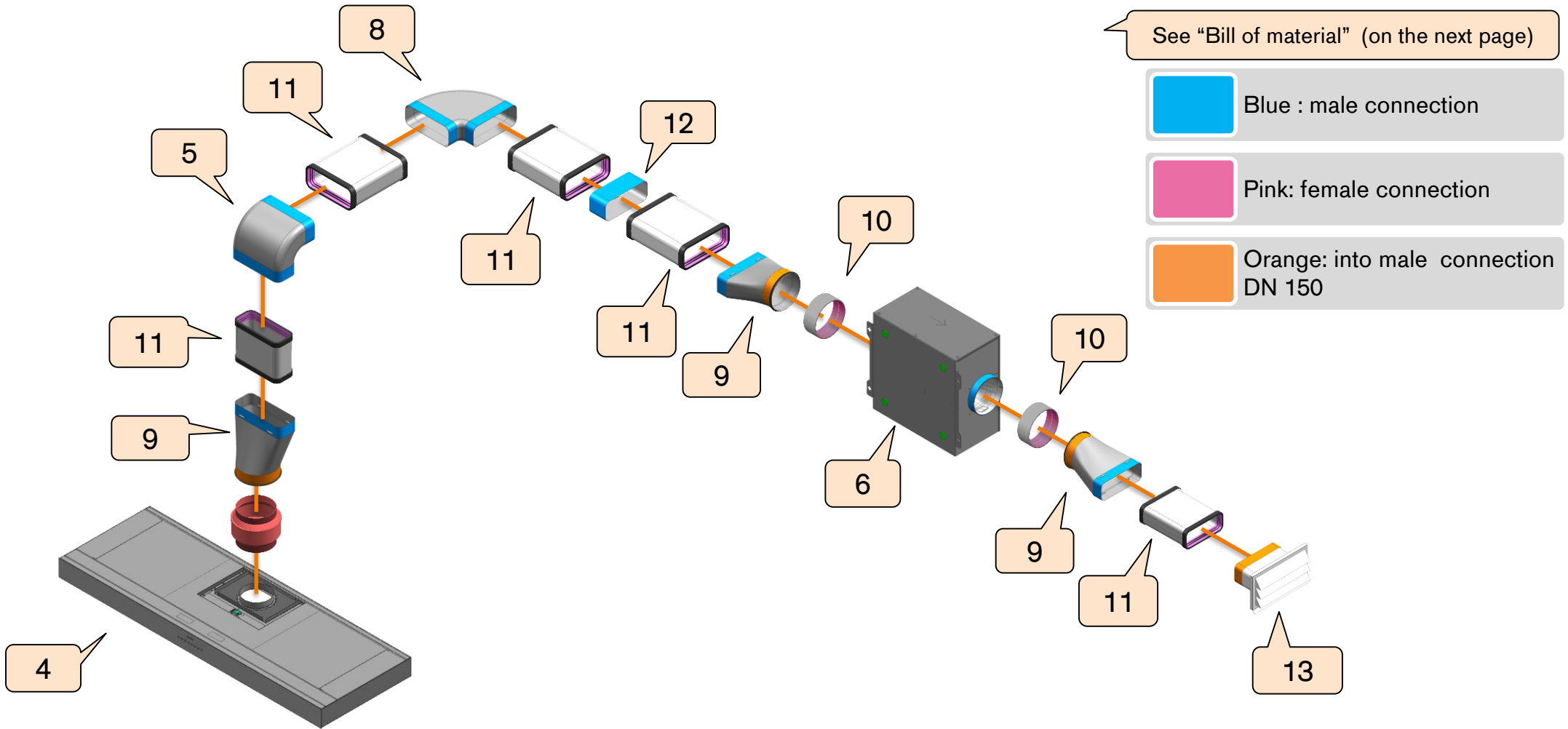
Configuration	AW 442 760 + AR400 742	Min. Work depth	- mm	Ventilation mode	Extraction
Type reference cooktops	CX 482 610 + VP 414 611	Type reference ventilation appliance	AW 442 760	Type reference remote fan unit	AR 400 742

Mounting information



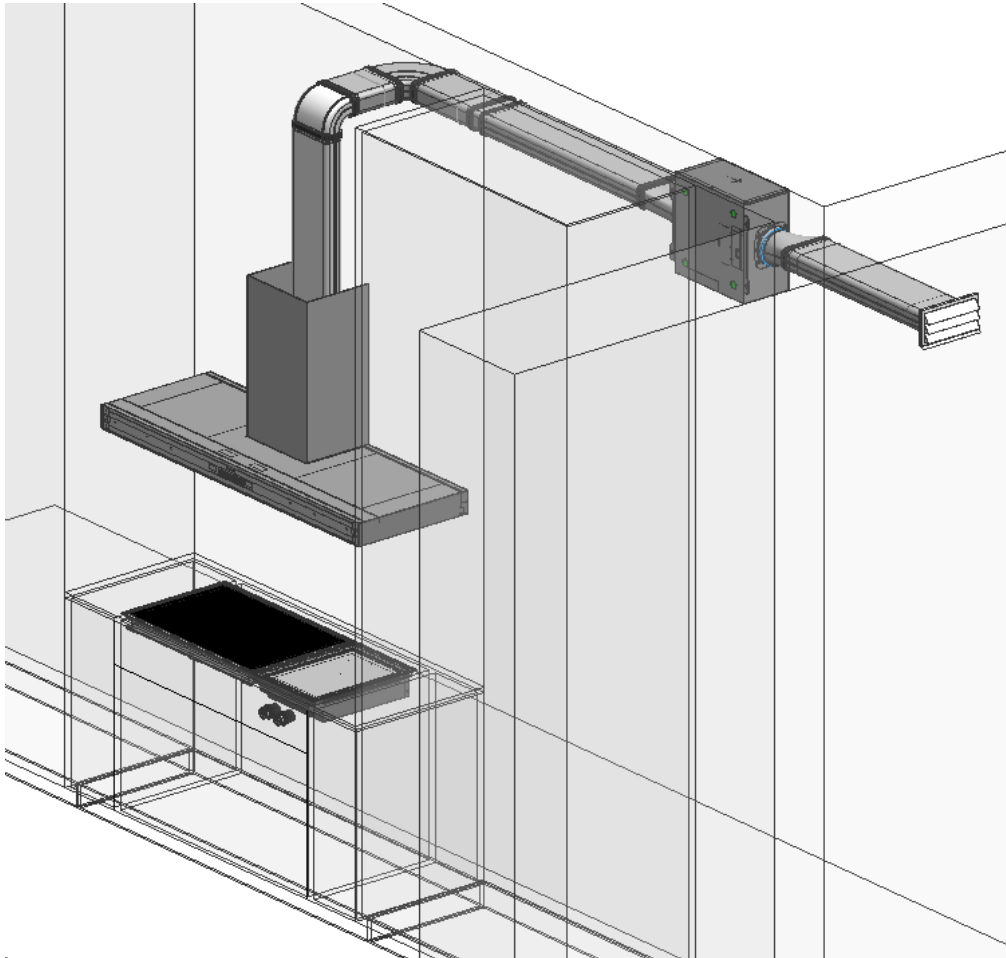
22. April 2020

Configuration	AW 442 760 + AR400 742	Min. Work depth	- mm	Ventilation mode	Extraction
Type reference cooktops	CX 482 610 + VP 414 611	Type reference ventilation appliance	AW 442 760	Type reference remote fan unit	AR 400 742



22. April 2020

Configuration	AW 442 760 + AR400 742	Min. Work depth	- mm	Ventilation mode	Extraction
Type reference cooktops	CX 482 610 + VP 414 611	Type reference ventilation appliance	AW 442 760	Type reference remote fan unit	AR 400 742



Position	Quantity	Part number	Appliance Design / Accessories Design
1	1	CX 482 610	Vario flex induction 400 series
2	1	VP 414 611	Vario Teppan Yaki 400 Series
3	1	VA 420 00	Connection strip for flush mounting
		Or VA 420 010	Connection strip for surface mounting
4	1	AW 442 760	Wall hood
5	1	AD 854 030	Flat Duct bend 90° vertical
6	1	AR 400 742	Remote fan unit in DN150/out DN150
7	1	AD 442 012	Stainless steel chimney for air extraction (see page 8 for more details)
		Or AD 442 022	
8	1	AD 854 031	Flat Duct bend 90° horizontal
9	3	AD 854 041	Flat Duct adapter Round
10	1	AD 751 010	Aluflex pipe DN150
11	4	AD 854 010	Flat Duct L 1000mm
12	1	AD 854 040	Flat Duct Connecting piece
13	1	AD 850 050	Wall outlet 6" flat
14	1	AD 990 091	Adhesive tape for duct components Aluminium
15	1	-	Condensation trap recommended. See page 4. Must be provided by the customer

BSH Hausgeräte GmbH, Carl-Wery-Strasse 34, 81739 Munich, Germany
 Chairman of the Supervisory Board: Prof. Dr. Stefan Asenkerschbaumer
 Directors: Uwe Raschke (Chairman), Dr. Gerhard Dambach, Matthias Ginthum, Dr. Silke Maurer
 Registered Office: Munich; Registry Court: Amtsgericht München, HRB 75534, WEEE-Reg.-No. DE 57986696

The drawing is provided only as an example.
 Please pay attention to the technical installation drawings in the Gaggenau Models and Dimensions. The technical drawings are not based on customer data and are merely for installation recommendation. The exact installation must be verified by the kitchen studio on an individual customer basis.