



**AW 230 790**

Stainless steel  
 Width 36" (90 cm)  
 Air extraction/recirculation  
 Standard duct cover included

**Installation accessories**

**AD 200 322**  
 Stainless steel duct cover  
 extension,  
 Length: 3' 3 3/8" (1000 mm)

**Optional accessories**

**AA 200 812**  
 Recirculation module with acti-  
 vated charcoal filter installed on  
 the inside of the duct cover  
**AA 200 110**  
 Activated charcoal filter for  
 AA 200 812 recirculation module

**Wall hood**  
**AW 230**

- Classic Gaggenau design.
- Highly efficient extraction of cooking vapors.
- Low-noise blower.
- Patented filter technology with high level of grease absorption.
- Rim extraction filter with flat and easy-to-clean stainless steel surface.
- Dimmable LED light for optimum illumination of the entire cooktop.
- Air extraction or recirculation system.
- Recirculation module with activated charcoal filters: quiet and highly efficient recirculation solution with odor reduction as in air extraction mode, and long replacement intervals.

**Output**

Unobstructed air flow:  
 472 CFM with ø 6".

Sound pressure level:  
 54 dBA.  
 Odor reduction recirculation 95 %.

**Features**

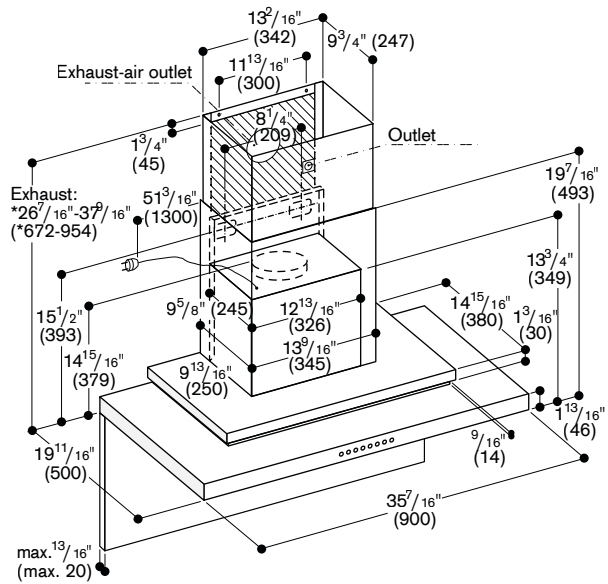
Three electronically controlled power levels and an intensive mode.  
 Grease filter saturation indication by flashing light.  
 Patented rim extraction filter, dishwasher-safe.  
 Warm white LED light (3600 K), continuously dimmable.  
 Airflow-optimized interior for efficient air circulation.  
 Easy mounting system for simple installation and alignment.  
 A one-way flap comes included with the hood.

**Planning notes**

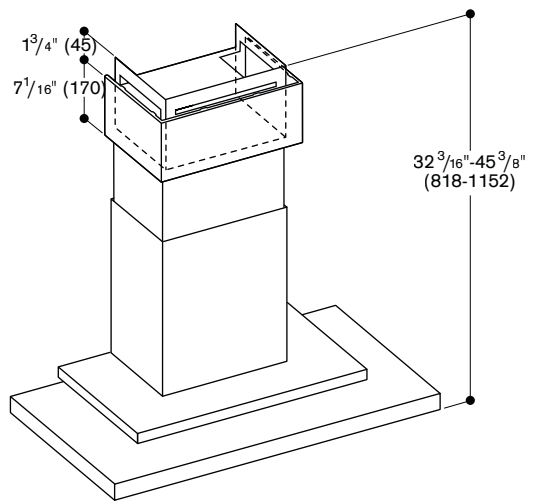
The hood includes a two-part duct cover with the dimensions from 22 15/16" (582 mm) to 34" (864 mm). Individual planning solutions can be accommodated using the optional duct cover accessory AD 200 326 or by shortening the lower edge of the telescopic duct cover.  
 Minimum clearance from electric appliances: 26". Minimum clearance from gas appliances: 30".  
 The recirculation module with activated charcoal filter can be installed on the external duct cover or on the inside of the duct cover.  
 When installing a ventilation hood with air extraction mode and a chimney-vented fireplace, the hood's power supply line needs a suitable safety switch.

**Rating**

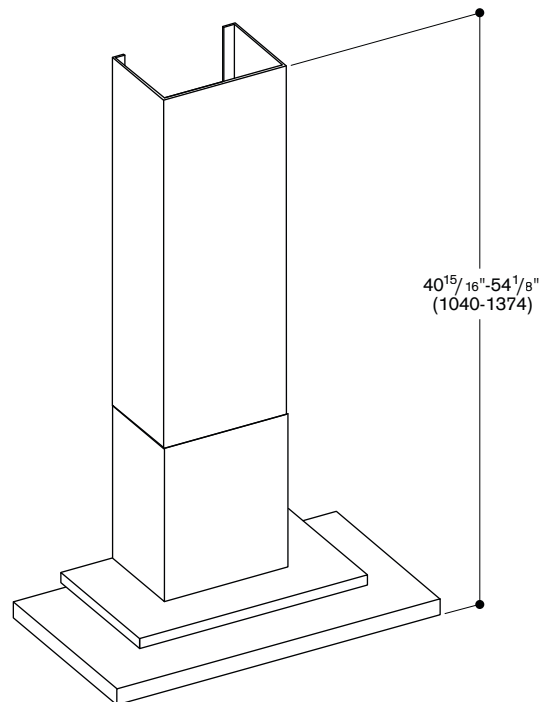
Total rating: 425 W.  
 Total Amps: 3 A.  
 120 V / 60 Hz  
 Connecting cable 51 3/16" with plug.



\* Suitable for ceiling heights of 7.4 ft (2.27 m) to 8.4 ft (2.55 m); Specifications refer to a distance from floor to lower chimney edge of 5.2 ft (1.60 m).



\* Suitable for ceiling heights of 8 ft (2.45 m) to 9 ft (2.75 m); Specifications refer to a distance from floor to lower chimney edge of 5.2 ft (1.60 m).



\* Suitable for ceiling heights of 8.7 ft (2.64 m) to 9.7 ft (2.97 m); Specifications refer to a distance from floor to lower chimney edge of 5.2 ft (1.60 m).

Numbers indicated inside parenthesis ( ) = mm