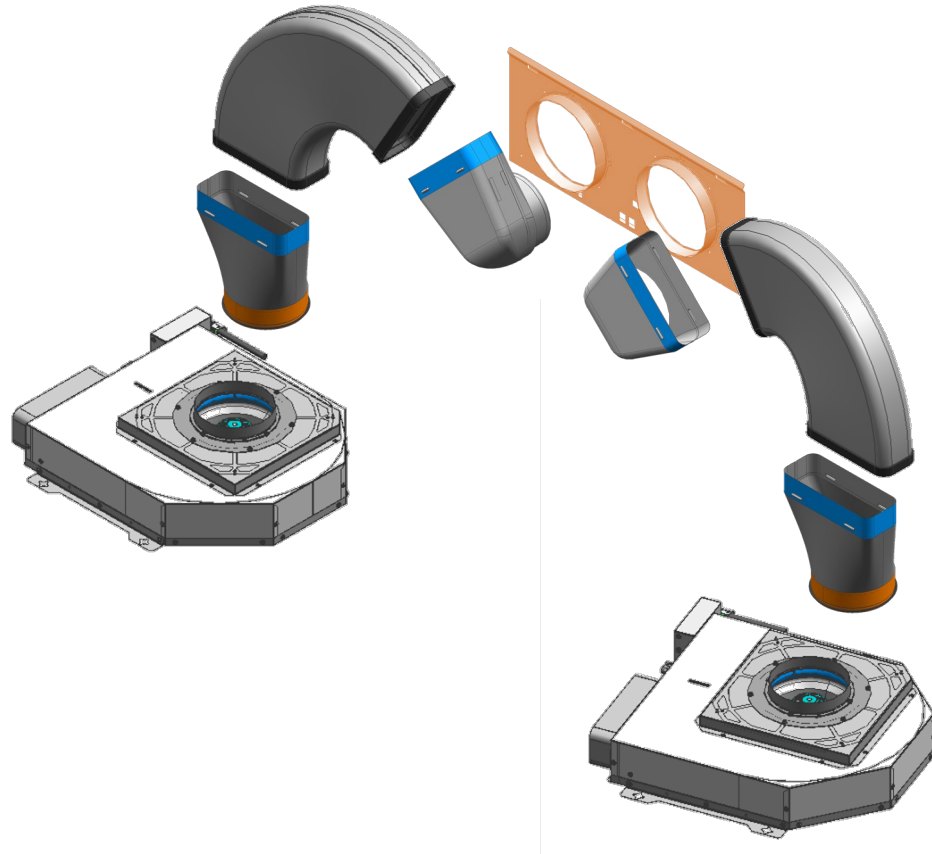
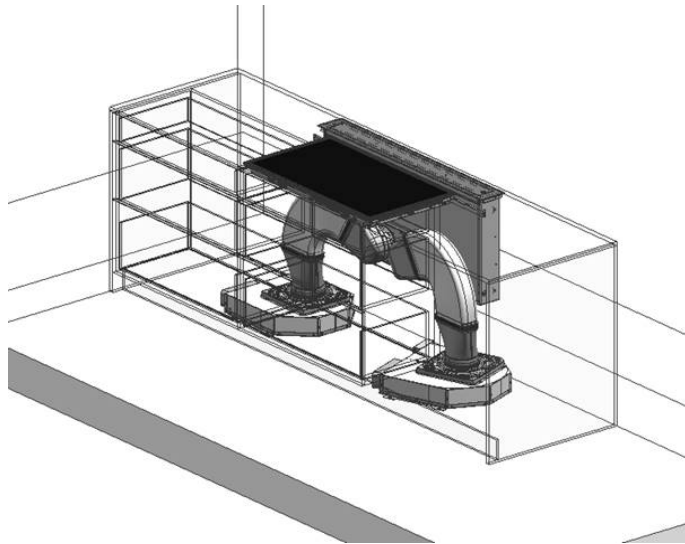


AL400722 | Installation 2 x AR403722



■ AL400722

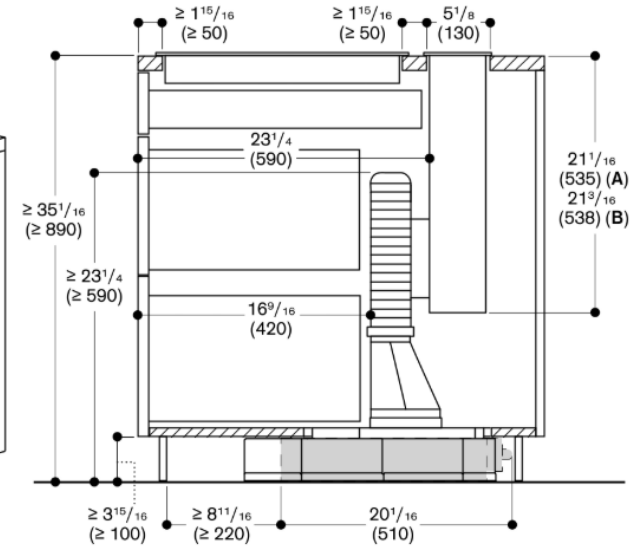
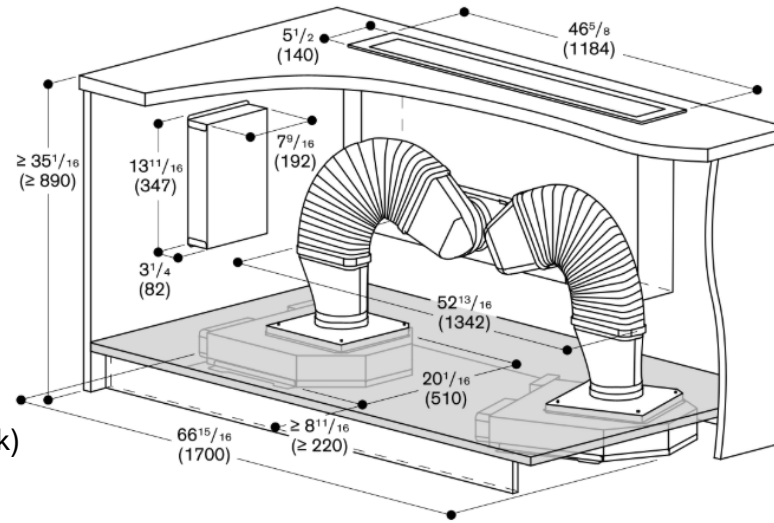


AL400722 | Installation 2 x AR403722



■ AL400722

- 1 x AL 400 722
- 2 x AR 403 722 (inline blowers)
- 1 x AD 754 049 (connecting piece round duct to front/back)
- 2 x AD 854 032 (flat duct adapter round 90°)
- 2 x AD 858 010 (flat duct flex pipe)
- 2 x AD 854 041 (flat duct adapter round)
- 1 x AD990091



A: Surface mounting
B: Flush mounting

Measurements in inches (mm)