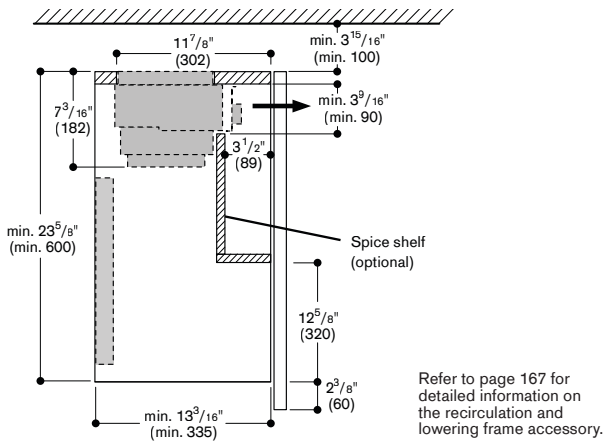
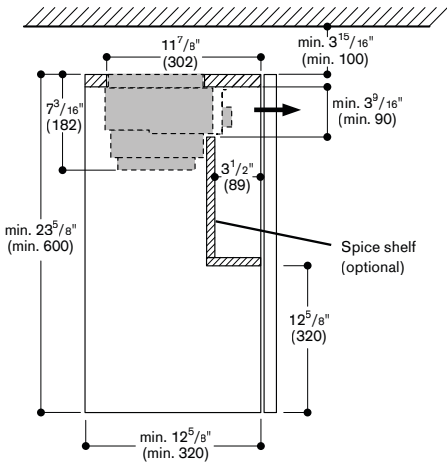


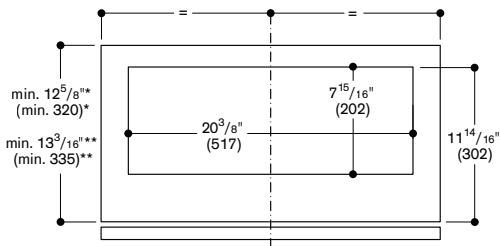
Cross-section of upper cabinet with AA 211 812 recirculation kit and lowering frame AA 210 490/460



Cross-section of upper cabinet with AA 211 812 recirculation kit

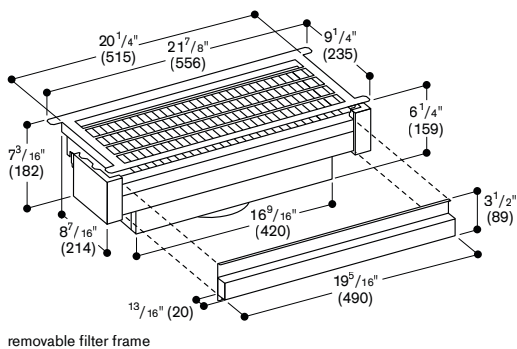


View from above of upper cabinet with AA 211 812 recirculation kit



* only appliance
** Appliance with lowering frame AA 210 490/460

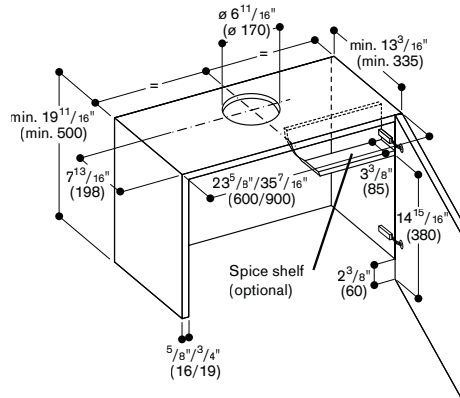
AA 211 812 recirculation kit



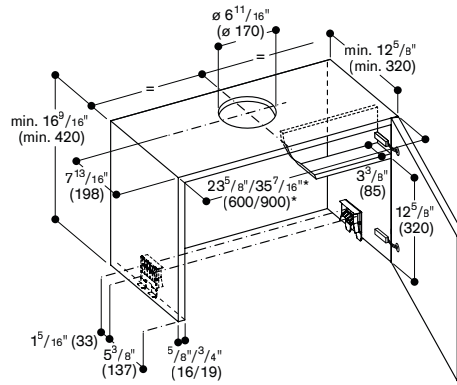
removable filter frame

Numbers indicated inside parenthesis () = mm

Upper cabinet for AF visor hood with lowering frame AA 210 460/ AA 210 490



Upper cabinet for 24"/36" AF visor hood



* for a 36" (90 cm) upper cabinet the mounting set AA 210 491 is required

Upper cabinet for 36" AF visor hood with AA 210 491 mounting set

