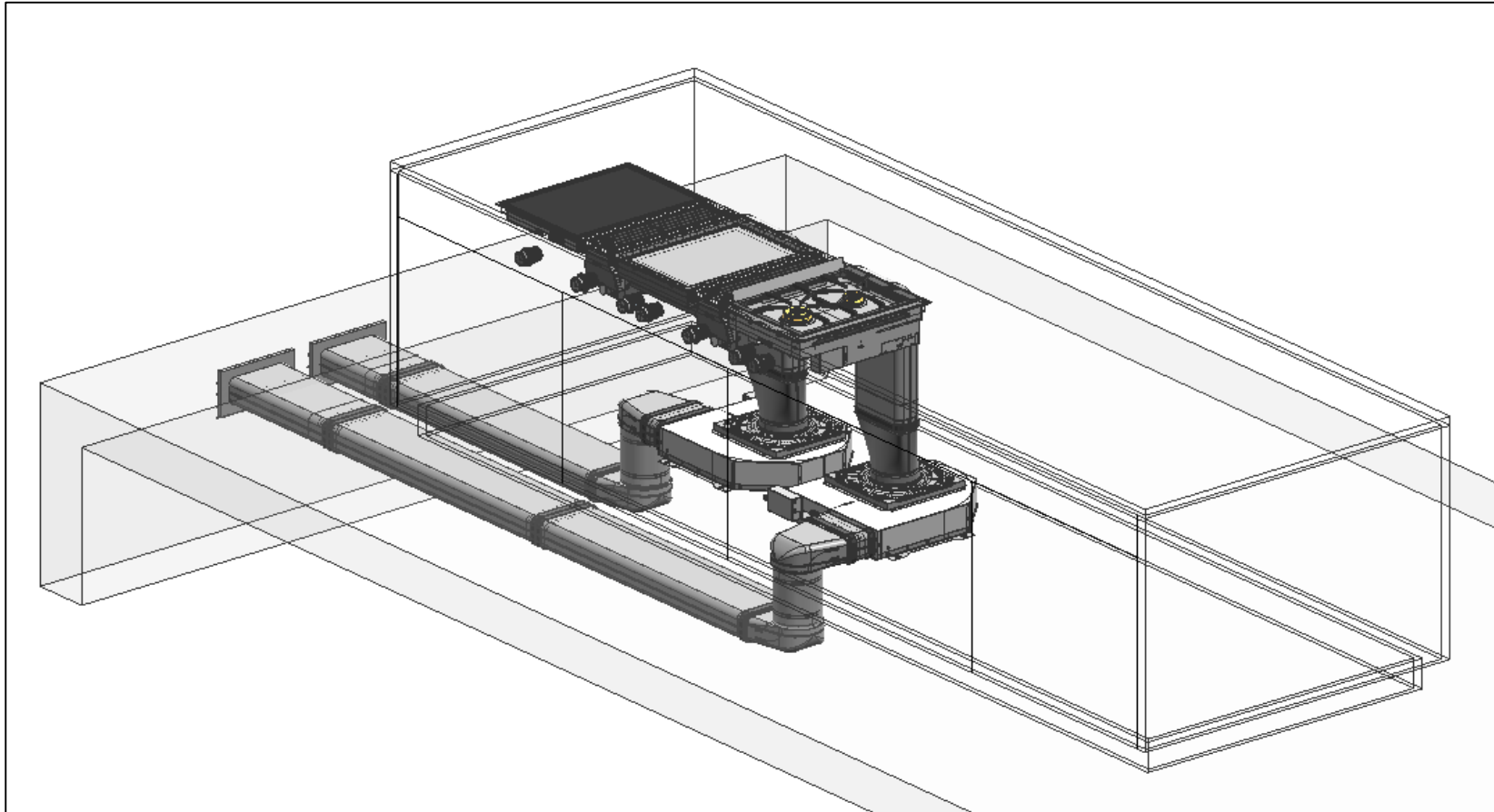


Configuration	2x VL 414 712 - 2x AR 403 722 - 3 Varios	Min. Work depth	Min. 43 ⁵ / ₁₆ "	Ventilation mode	Extraction
Type reference cooktops	: VG425211CA -VP414611 - VI414613	Type reference ventilation appliance	VL 414 712	Type reference remote fan unit	AR 403 722

Installation view

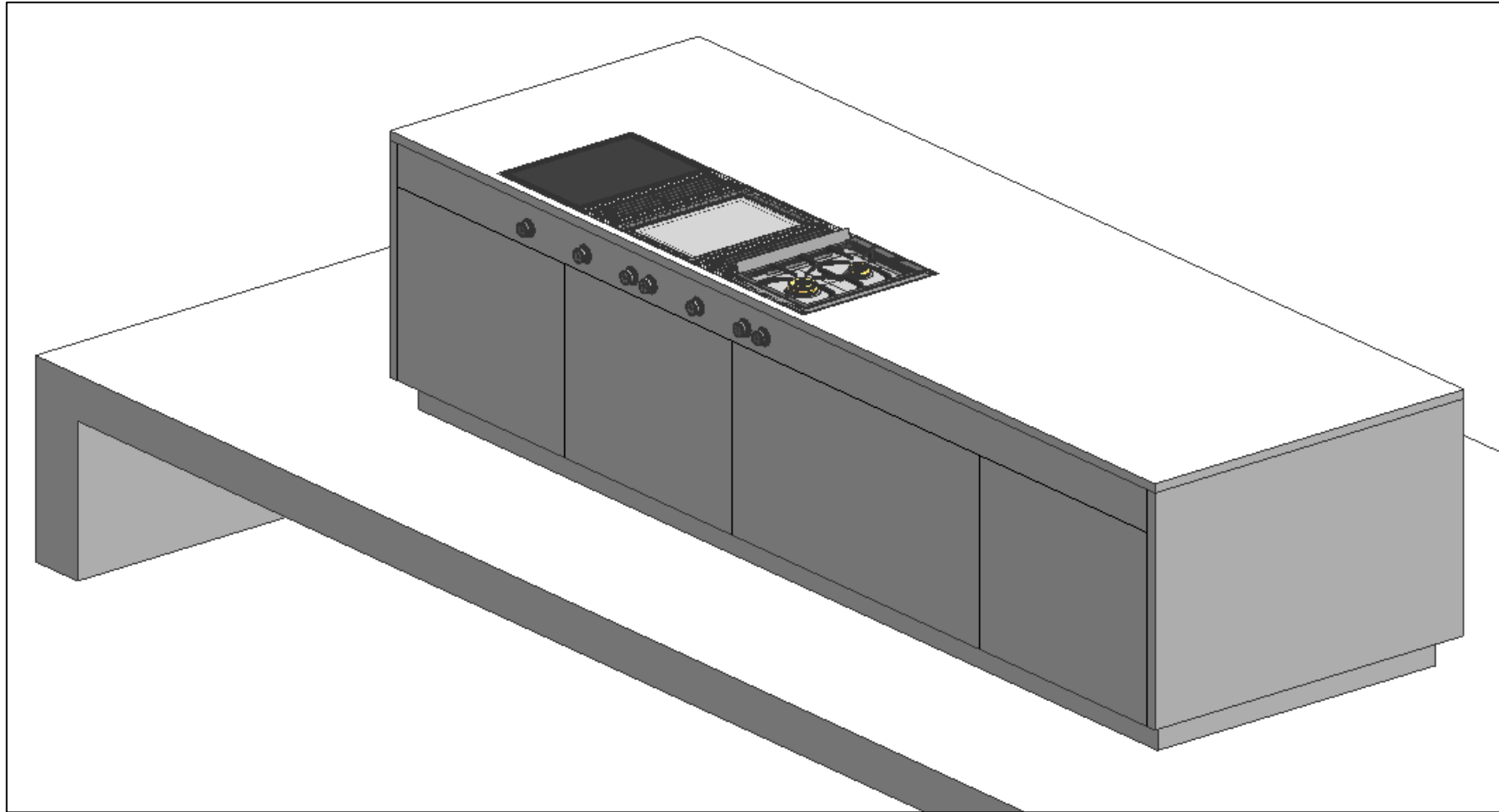


BSH Hausgeräte GmbH, Carl-Wery-Strasse 34, 81739 Munich, Germany
 Chairman of the Supervisory Board: Dr. Christian Fischer
 Board of Management: Dr. Matthias Metz (Chairman), Dr. Thorsten Lücke, Dr. Alexander Dony, Rudolf Klöttscher, Lars Schubert
 Registered Office: Munich; Registry Court: Amtsgericht München, HRB 75534, WEEE-Reg.-No. DE 57986696

The drawing is provided only as an example.
 Please pay attention to the technical installation drawings in the Gaggenau Models and Dimensions. The technical drawings are based on the data transferred by the customer and are merely for installation recommendation. The exact installation must be verified by the kitchen studio on an individual customer basis. Please observe the local applicable building regulations when configuring ventilation solutions.

Configuration	2x VL 414 712 - 2x AR 403 722 - 3 Varios	Min. Work depth	Min. 43 ⁵ / ₁₆ "	Ventilation mode	Extraction
Type reference cooktops	: VG425211CA -VP414611 - VI414613	Type reference ventilation appliance	VL 414 712	Type reference remote fan unit	AR 403 722

Installation view

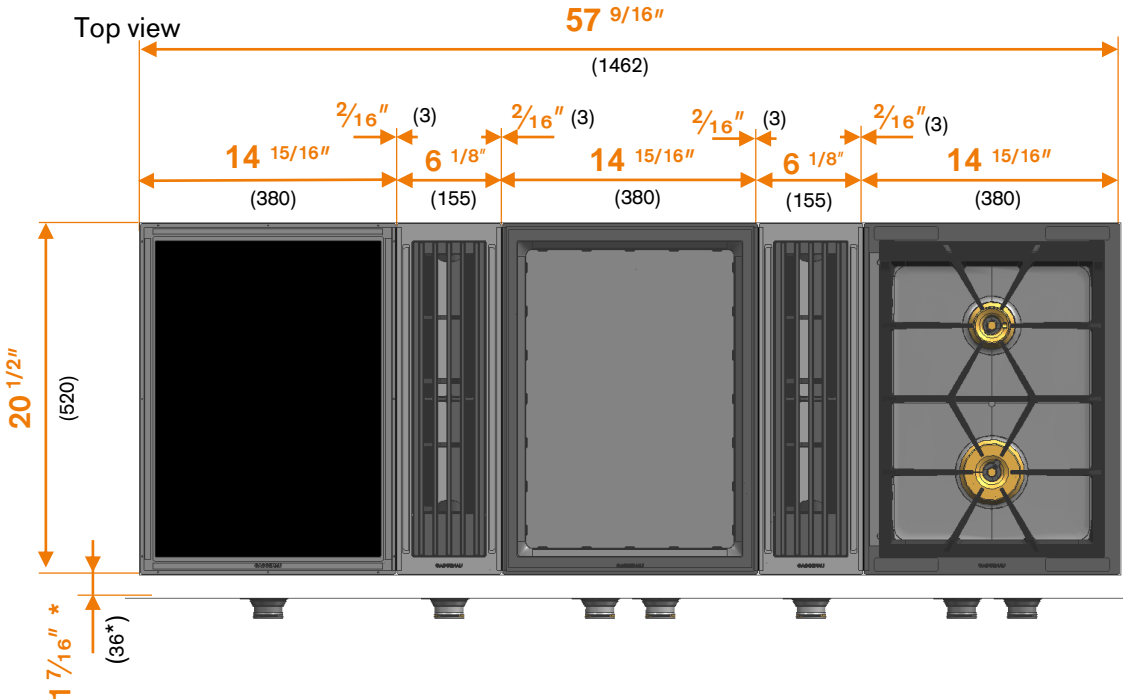


BSH Hausgeräte GmbH, Carl-Wery-Strasse 34, 81739 Munich, Germany
 Chairman of the Supervisory Board: Dr. Christian Fischer
 Board of Management: Dr. Matthias Metz (Chairman), Dr. Thorsten Lücke, Dr. Alexander Dony, Rudolf Klöttscher, Lars Schubert
 Registered Office: Munich; Registry Court: Amtsgericht München, HRB 75534, WEEE-Reg.-No. DE 57986696

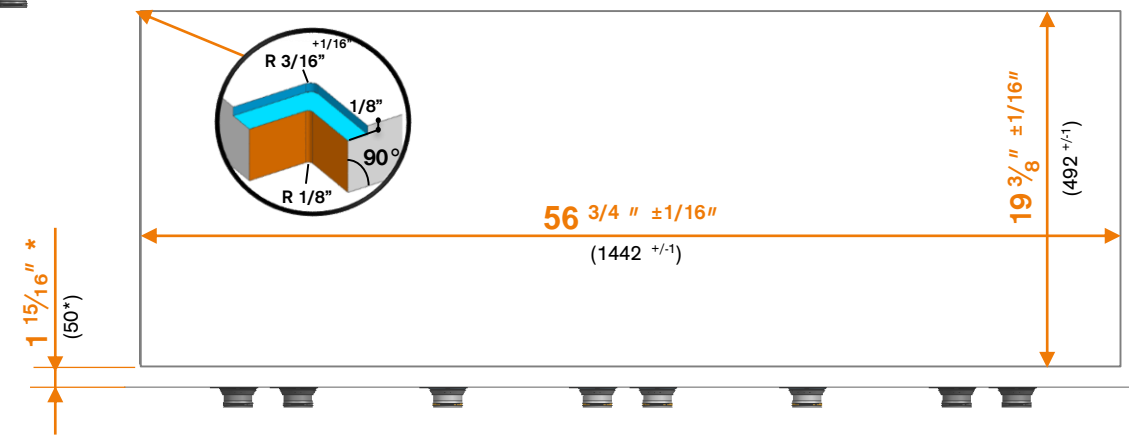
The drawing is provided only as an example.
 Please pay attention to the technical installation drawings in the Gaggenau Models and Dimensions. The technical drawings are based on the data transferred by the customer and are merely for installation recommendation. The exact installation must be verified by the kitchen studio on an individual customer basis. Please observe the local applicable building regulations when configuring ventilation solutions.

8 October 2024

Configuration	2x VL 414 712 - 2x AR 403 722 - 3 Varios	Min. Work depth	Min. 43 5/16"	Ventilation mode	Extraction
Type reference cooktops	: VG425211CA -VP414611 - VI414613	Type reference ventilation appliance	VL 414 712	Type reference remote fan unit	AR 403 722



Cut out dimension. **Surface mounting**



* : Recommended distance. Distance can be adjusted
(inside parenthesis) = mm

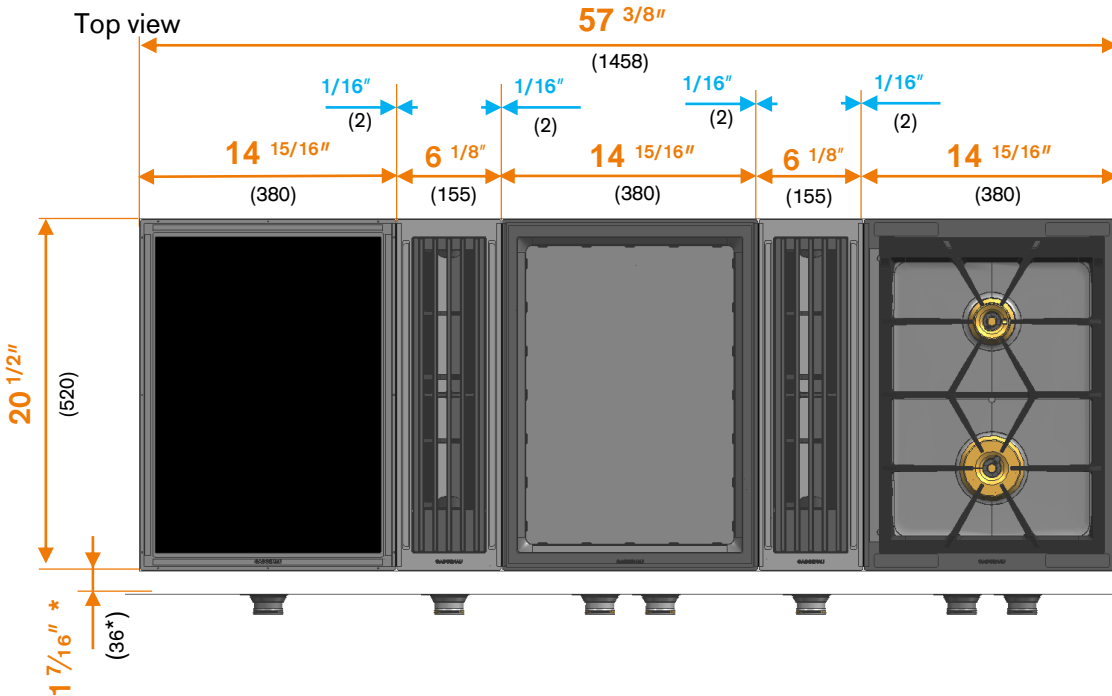


BSH Hausgeräte GmbH, Carl-Wery-Strasse 34, 81739 Munich, Germany
 Chairman of the Supervisory Board: Dr. Christian Fischer
 Board of Management: Dr. Matthias Metz (Chairman), Dr. Thorsten Lücke, Dr. Alexander Dony, Rudolf Klöttscher, Lars Schubert
 Registered Office: Munich; Registry Court: Amtsgericht München, HRB 75534, WEEE-Reg.-No. DE 57986696

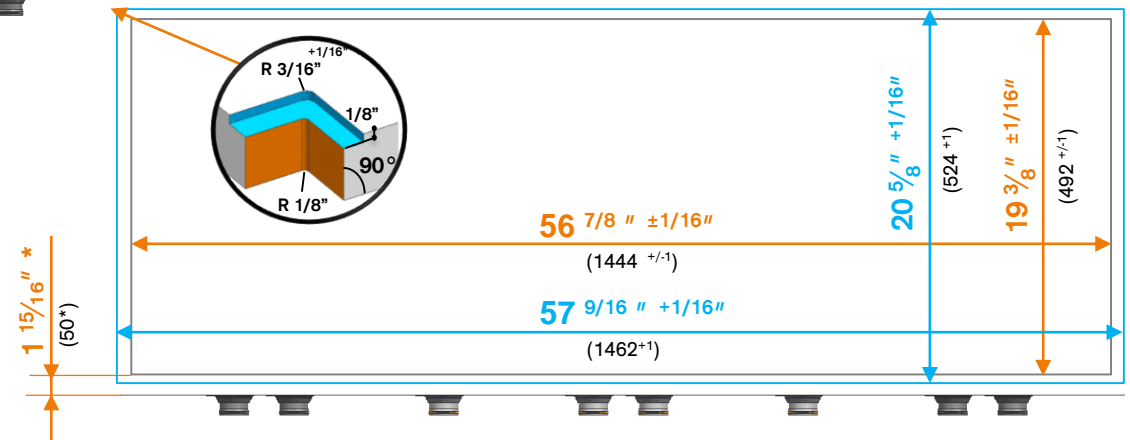
The drawing is provided only as an example.
 Please pay attention to the technical installation drawings in the Gaggenau Models and Dimensions. The technical drawings are based on the data transferred by the customer and are merely for installation recommendation. The exact installation must be verified by the kitchen studio on an individual customer basis. Please observe the local applicable building regulations when configuring ventilation solutions.

8 October 2024

Configuration	2x VL 414 712 - 2x AR 403 722 - 3 Varios	Min. Work depth	Min. 43 5/16"	Ventilation mode	Extraction
Type reference cooktops	: VG425211CA -VP414611 - VI414613	Type reference ventilation appliance	VL 414 712	Type reference remote fan unit	AR 403 722



Cut out dimension. Flush mounting



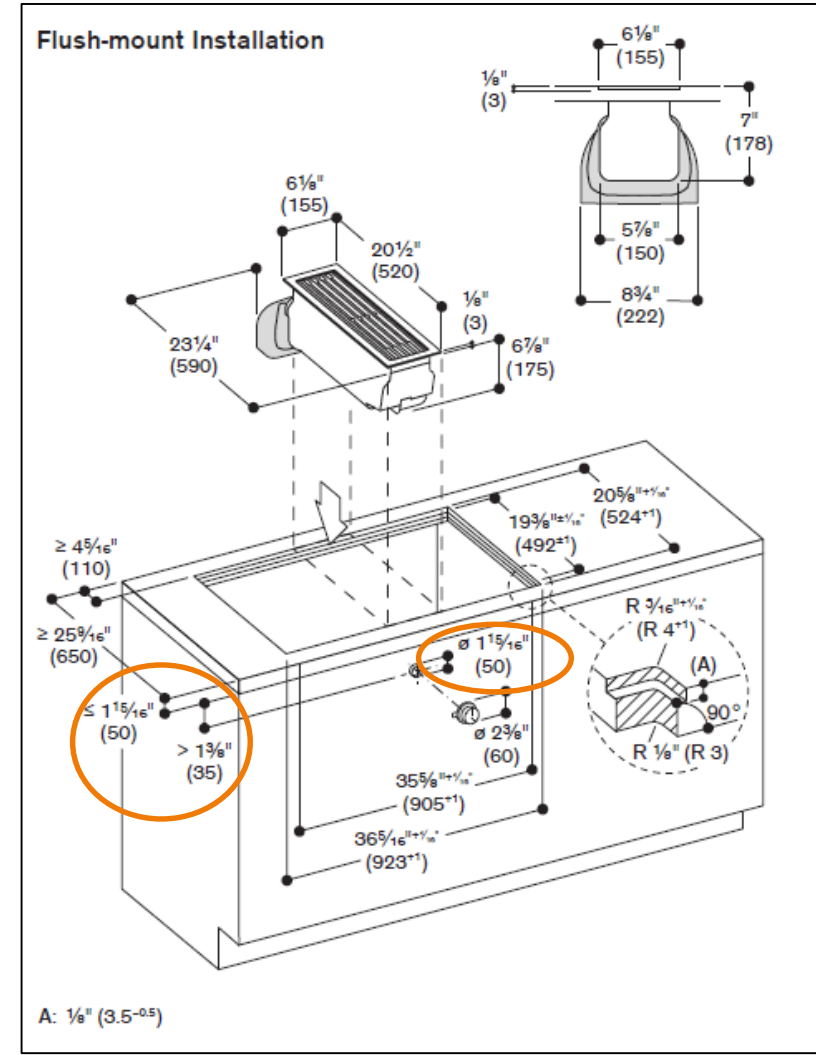
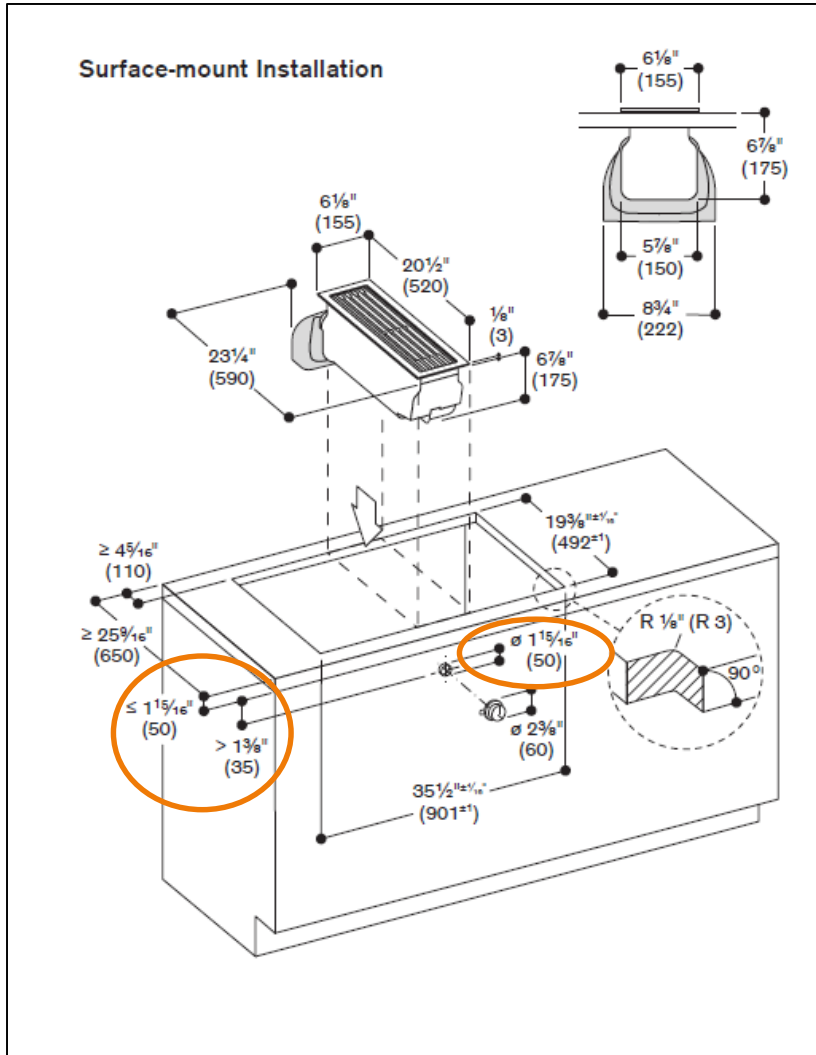
* : Recommended distance. Distance can be adjusted
(inside parenthesis) = mm

BSH Hausgeräte GmbH, Carl-Wery-Strasse 34, 81739 Munich, Germany
 Chairman of the Supervisory Board: Dr. Christian Fischer
 Board of Management: Dr. Matthias Metz (Chairman), Dr. Thorsten Lücke, Dr. Alexander Dony, Rudolf Klöttscher, Lars Schubert
 Registered Office: Munich; Registry Court: Amtsgericht München, HRB 75534, WEEE-Reg.-No. DE 57986696



The drawing is provided only as an example.
 Please pay attention to the technical installation drawings in the Gaggenau Models and Dimensions. The technical drawings are based on the data transferred by the customer and are merely for installation recommendation. The exact installation must be verified by the kitchen studio on an individual customer basis. Please observe the local applicable building regulations when configuring ventilation solutions.

Configuration	2x VL 414 712 - 2x AR 403 722 - 3 Varios	Min. Work depth	Min. 43 5/16"	Ventilation mode	Extraction
Type reference cooktops	: VG425211CA -VP414611 - VI414613	Type reference ventilation appliance	VL 414 712	Type reference remote fan unit	AR 403 722



(inside parenthesis) = mm

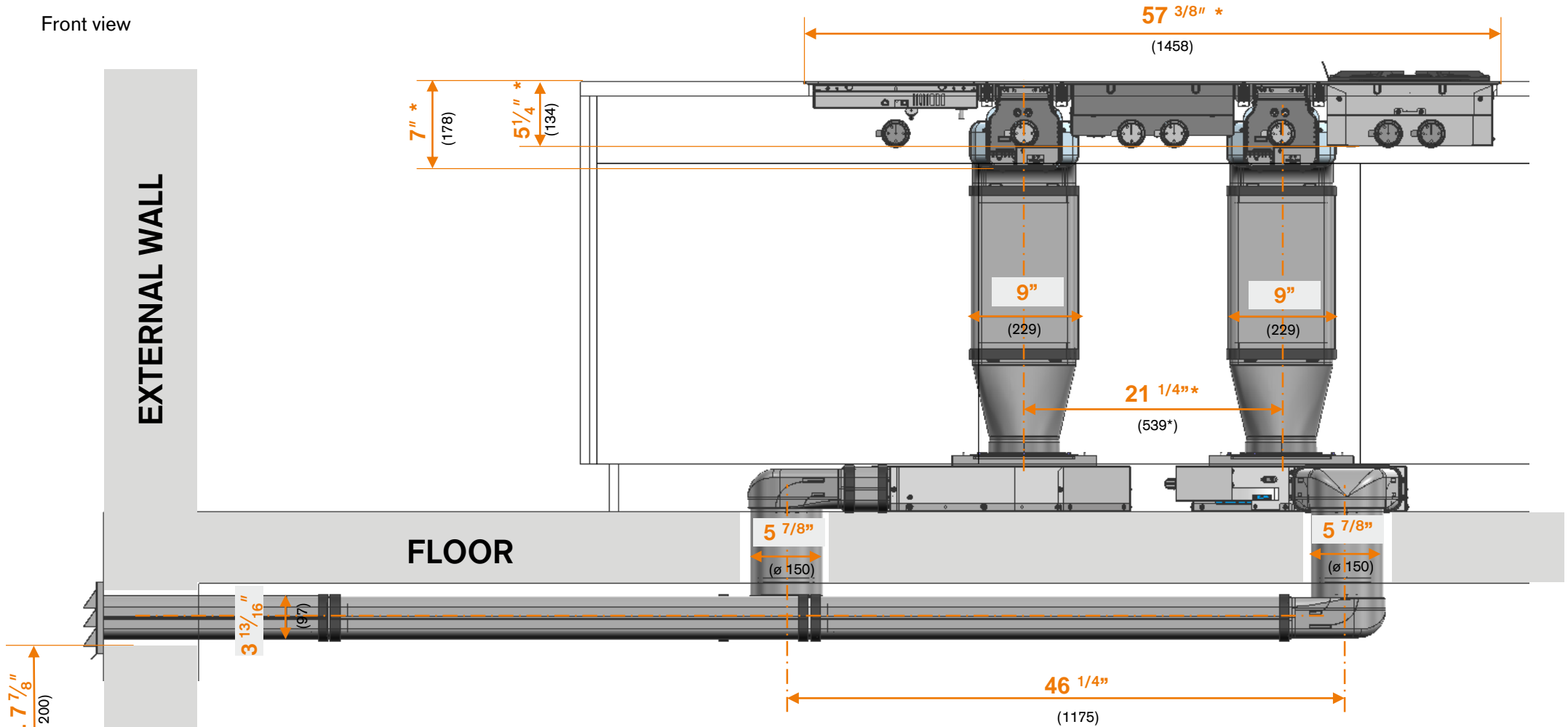
BSH Hausgeräte GmbH, Carl-Wery-Strasse 34, 81739 Munich, Germany
 Chairman of the Supervisory Board: Dr. Christian Fischer
 Board of Management: Dr. Matthias Metz (Chairman), Dr. Thorsten Lücke, Dr. Alexander Dony, Rudolf Klöttscher, Lars Schubert
 Registered Office: Munich; Registry Court: Amtsgericht München, HRB 75534, WEEE-Reg.-No. DE 57986696

The drawing is provided only as an example. Please pay attention to the technical installation drawings in the Gaggenau Models and Dimensions. The technical drawings are based on the data transferred by the customer and are merely for installation recommendation. The exact installation must be verified by the kitchen studio on an individual customer basis. Please observe the local applicable building regulations when configuring ventilation solutions.

8 October 2024

Configuration	2x VL 414 712 - 2x AR 403 722 - 3 Varios	Min. Work depth	Min. 43 5/16"	Ventilation mode	Extraction
Type reference cooktops	: VG425211CA -VP414611 - VI414613	Type reference ventilation appliance	VL 414 712	Type reference remote fan unit	AR 403 722

Front view



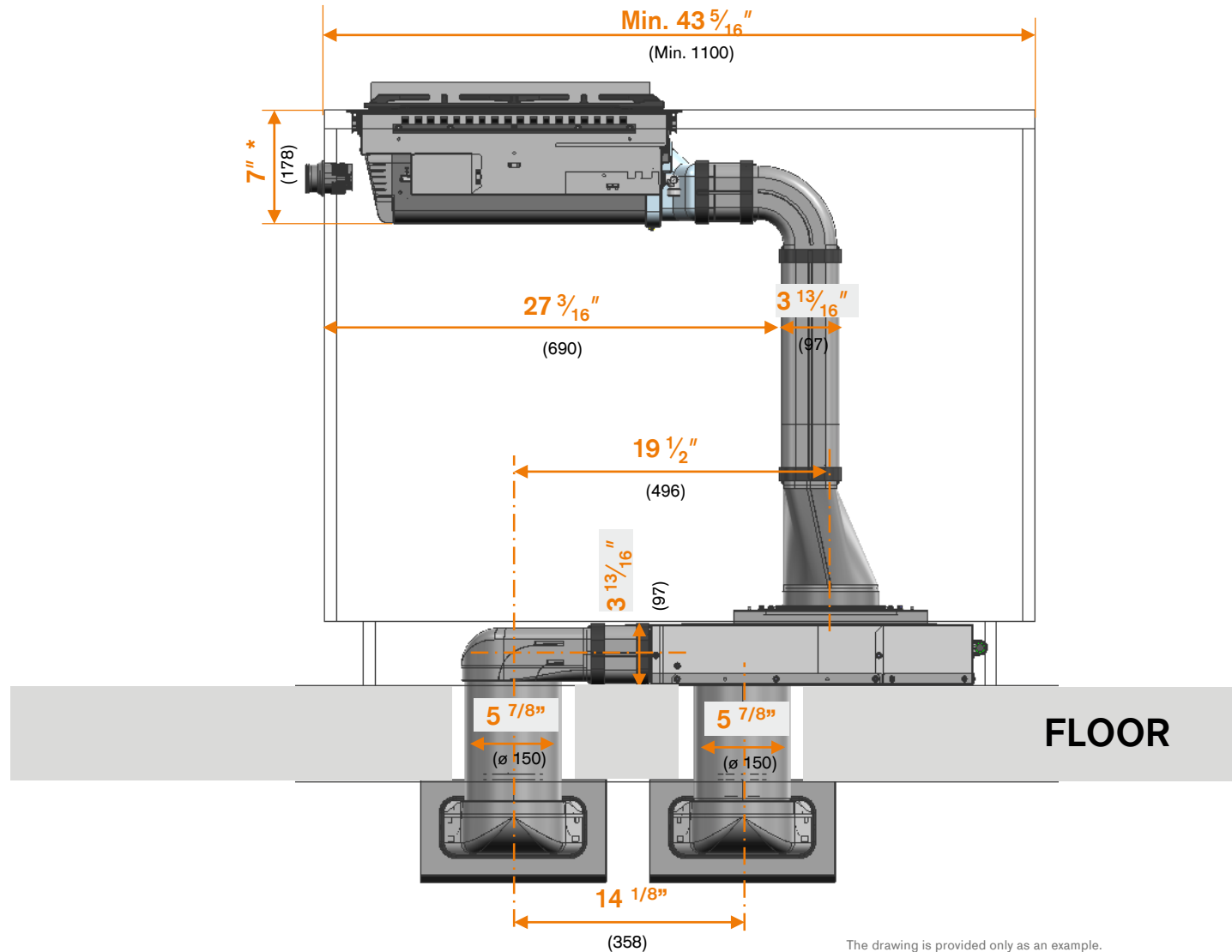
* : For flush mounted

BSH Hausgeräte GmbH, Carl-Wery-Strasse 34, 81739 Munich, Germany
 Chairman of the Supervisory Board: Dr. Christian Fischer
 Board of Management: Dr. Matthias Metz (Chairman), Dr. Thorsten Lücke, Dr. Alexander Dony, Rudolf Klöttscher, Lars Schubert
 Registered Office: Munich; Registry Court: Amtsgericht München, HRB 75534, WEEE-Reg.-No. DE 57986696

The drawing is provided only as an example.
 Please pay attention to the technical installation drawings in the Gaggenau Models and Dimensions. The technical drawings are based on the data transferred by the customer and are merely for installation recommendation. The exact installation must be verified by the kitchen studio on an individual customer basis. Please observe the local applicable building regulations when configuring ventilation solutions.

Configuration	2x VL 414 712 - 2x AR 403 722 - 3 Varios	Min. Work depth	Min. 43 5/16"	Ventilation mode	Extraction
Type reference cooktops	: VG425211CA -VP414611 - VI414613	Type reference ventilation appliance	VL 414 712	Type reference remote fan unit	AR 403 722

Right view

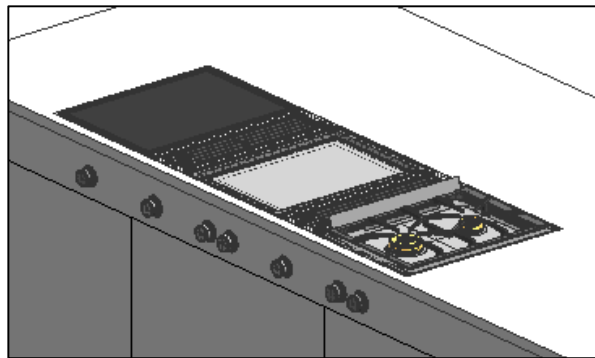
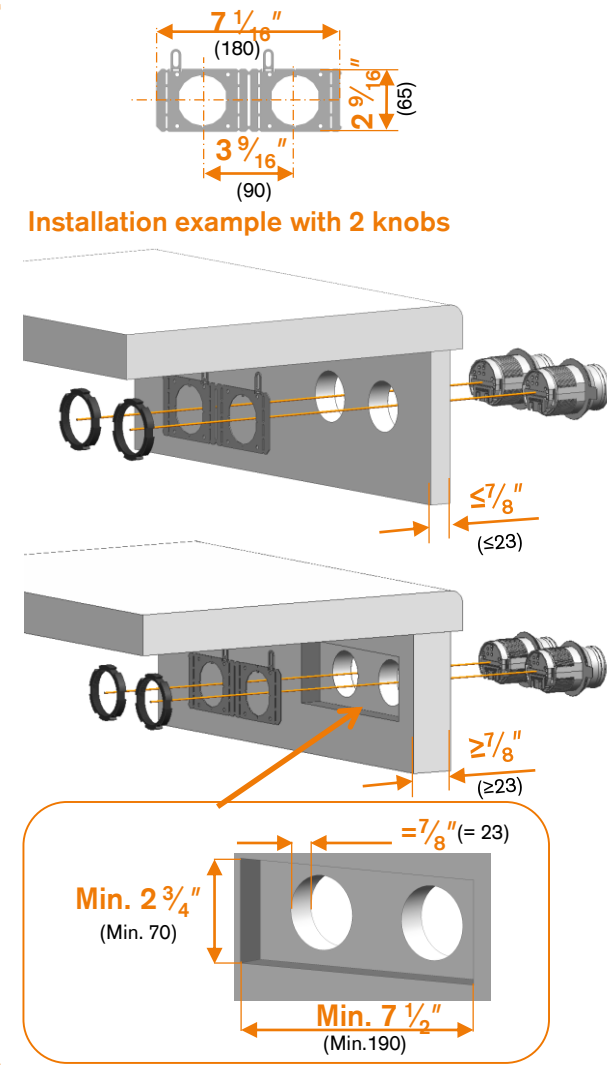
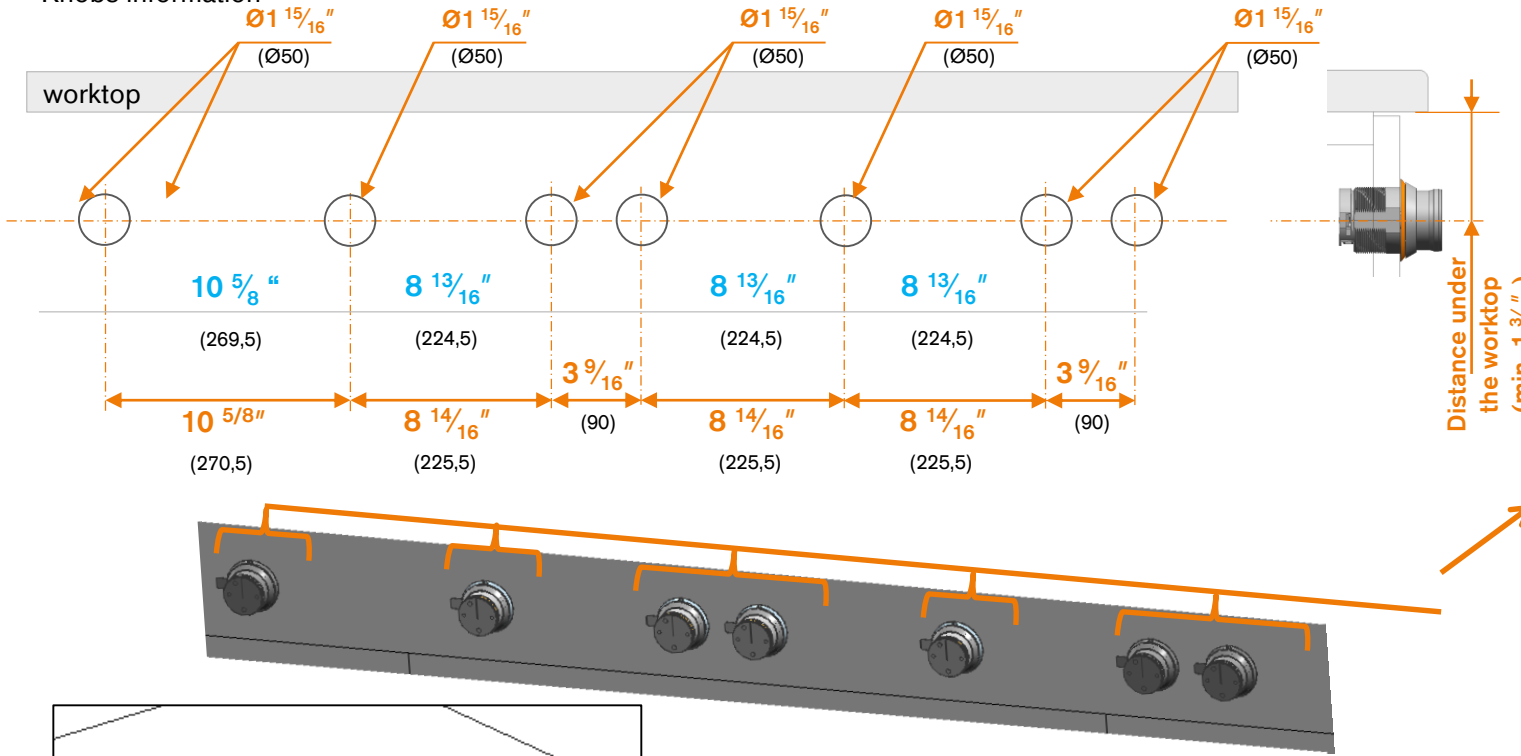


BSH Hausgeräte GmbH, Carl-Wery-Strasse 34, 81739 Munich, Germany
 Chairman of the Supervisory Board: Dr. Christian Fischer
 Board of Management: Dr. Matthias Metz (Chairman), Dr. Thorsten Lücke, Dr. Alexander Dony, Rudolf Klöttscher, Lars Schubert
 Registered Office: Munich; Registry Court: Amtsgericht München, HRB 75534, WEEE-Reg.-No. DE 57986696

The drawing is provided only as an example.
 Please pay attention to the technical installation drawings in the Gaggenau Models and Dimensions. The technical drawings are based on the data transferred by the customer and are merely for installation recommendation. The exact installation must be verified by the kitchen studio on an individual customer basis. Please observe the local applicable building regulations when configuring ventilation solutions.

Configuration	2x VL 414 712 - 2x AR 403 722 - 3 Varios	Min. Work depth	Min. 43 5/16"	Ventilation mode	Extraction
Type reference cooktops	: VG425211CA -VP414611 - VI414613	Type reference ventilation appliance	VL 414 712	Type reference remote fan unit	AR 403 722

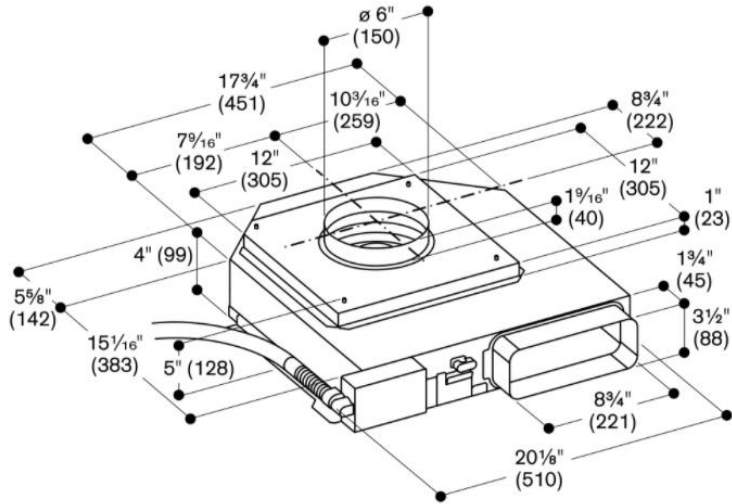
Knobs information



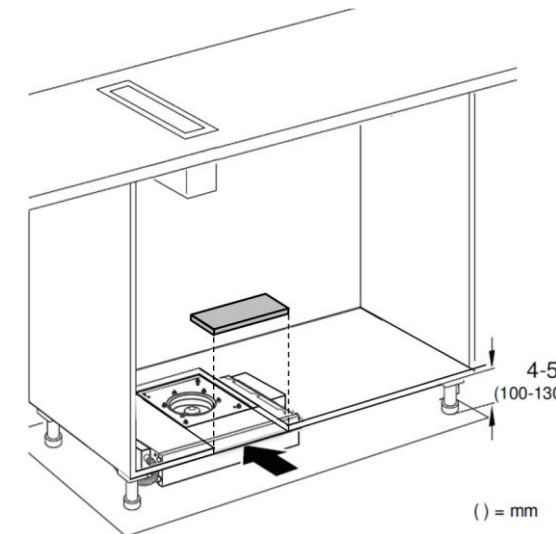
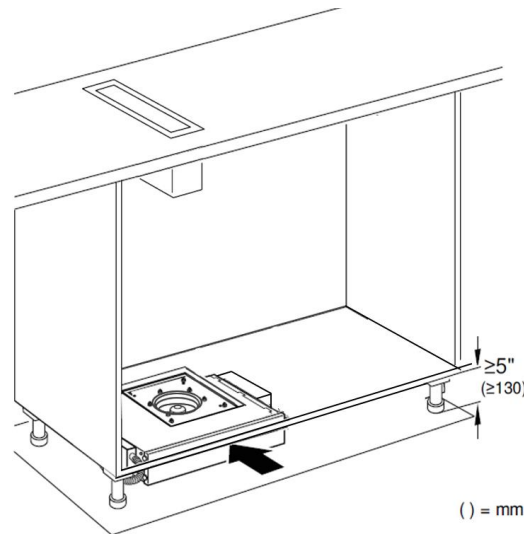
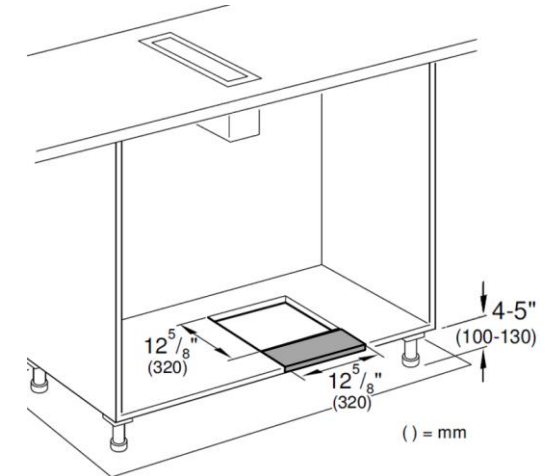
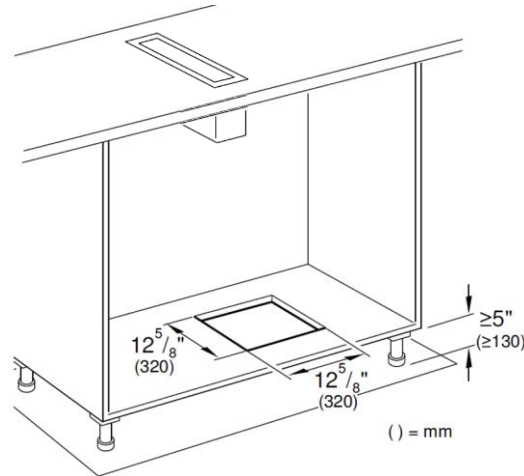
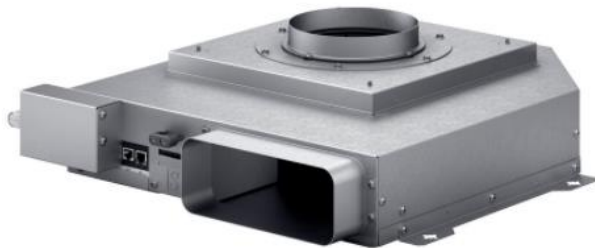
Cut out dimension: **Flush mounting**
Surface mounting

Configuration	2x VL 414 712 - 2x AR 403 722 - 3 Varios	Min. Work depth	Min. 43 5/16"	Ventilation mode	Extraction
Type reference cooktops	: VG425211CA -VP414611 - VI414613	Type reference ventilation appliance	VL 414 712	Type reference remote fan unit	AR 403 722

Information about remote fan unit AR 403 722



measurements in inches (mm)

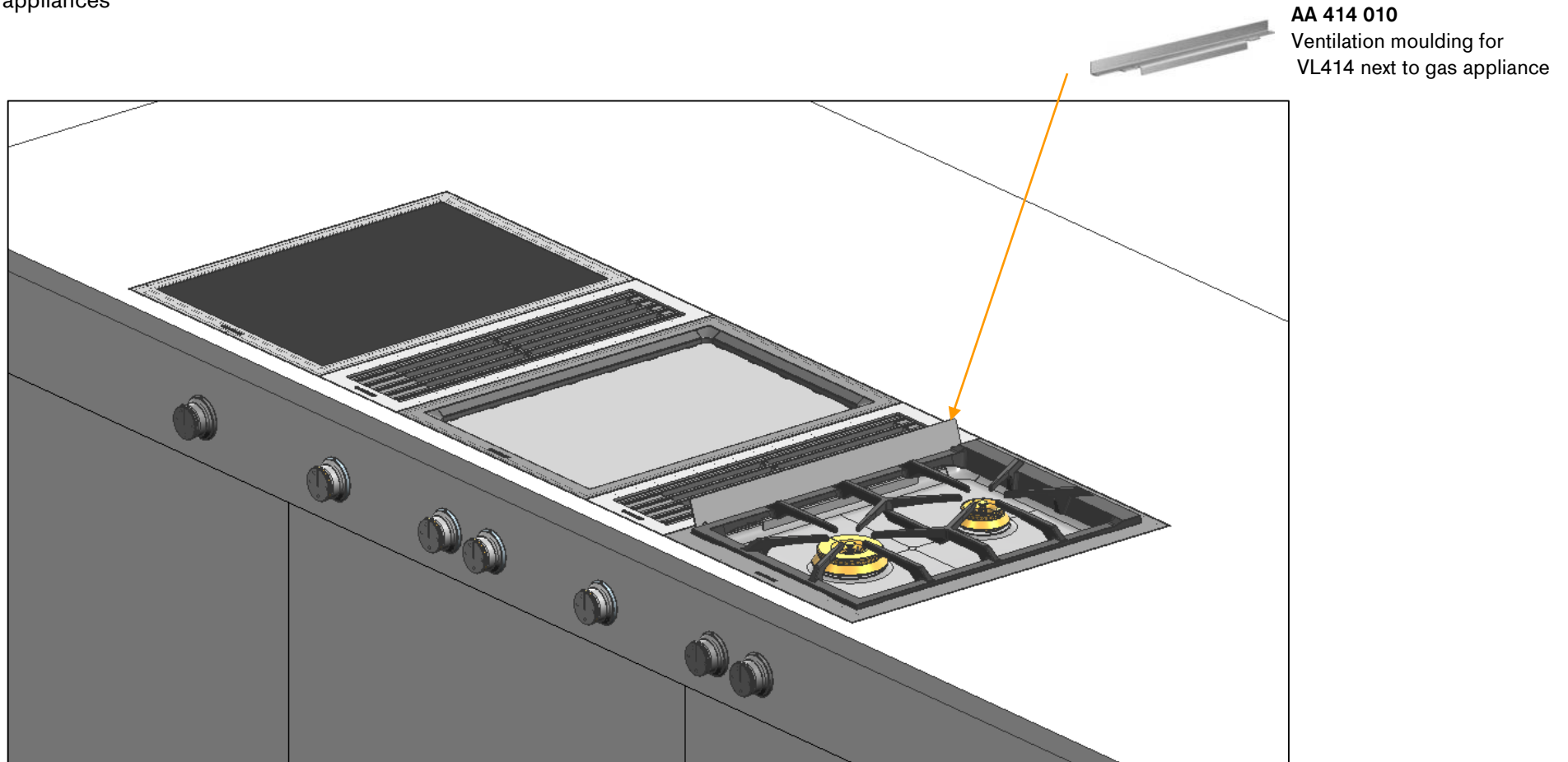


BSH Hausgeräte GmbH, Carl-Wery-Strasse 34, 81739 Munich, Germany
 Chairman of the Supervisory Board: Dr. Christian Fischer
 Board of Management: Dr. Matthias Metz (Chairman), Dr. Thorsten Lücke, Dr. Alexander Dony, Rudolf Klöttscher, Lars Schubert
 Registered Office: Munich; Registry Court: Amtsgericht München, HRB 75534, WEEE-Reg.-No. DE 57986696

8 October 2024

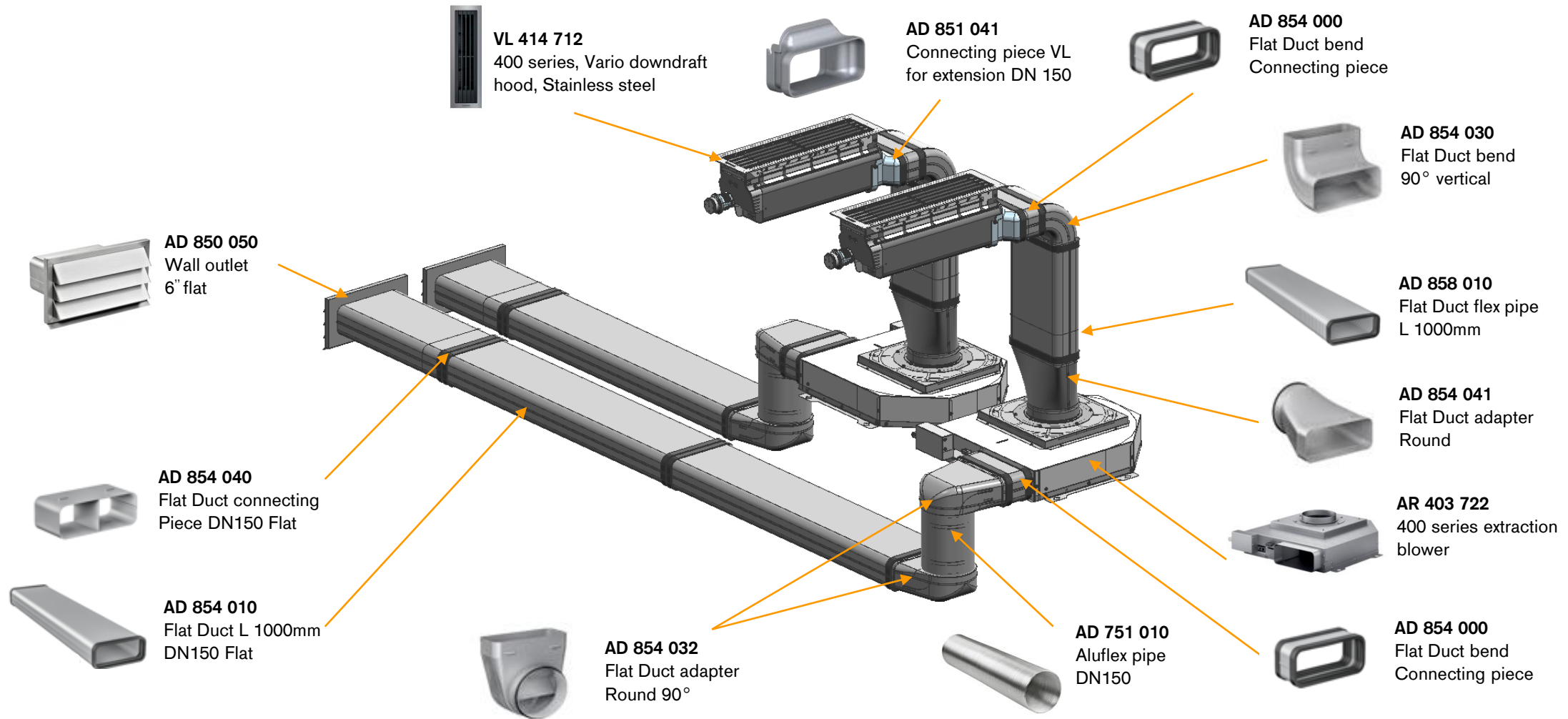
Configuration	2x VL 414 712 - 2x AR 403 722 - 3 Varios	Min. Work depth	Min. 43 ⁵ / ₁₆ "	Ventilation mode	Extraction
Type reference cooktops	: VG425211CA -VP414611 - VI414613	Type reference ventilation appliance	VL 414 712	Type reference remote fan unit	AR 403 722

Specific to gas appliances



8 October 2024

Configuration	2x VL 414 712 - 2x AR 403 722 - 3 Varios	Min. Work depth	Min. 43 5/16"	Ventilation mode	Extraction
Type reference cooktops	: VG425211CA -VP414611 - VI414613	Type reference ventilation appliance	VL 414 712	Type reference remote fan unit	AR 403 722



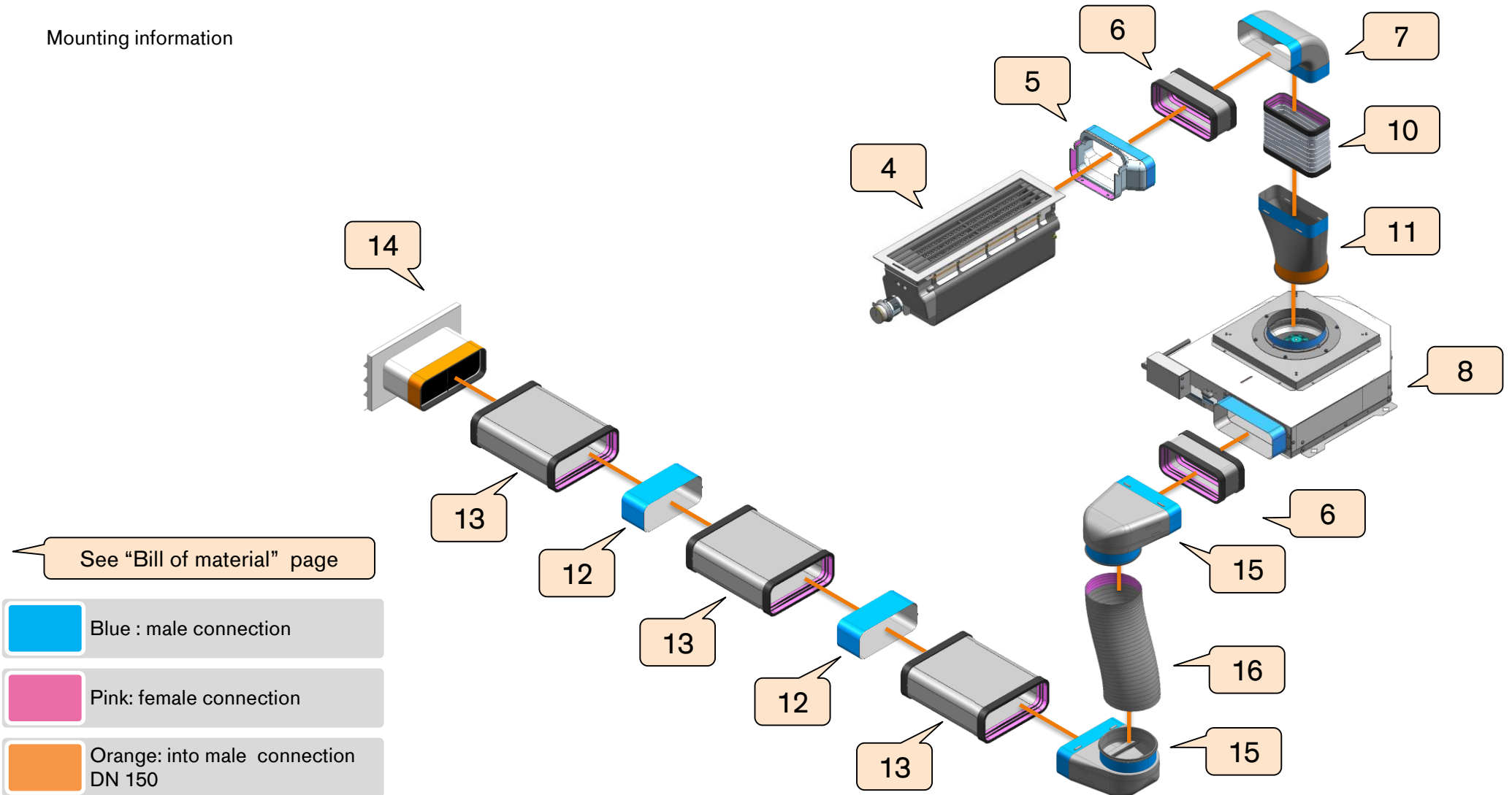
BSH Hausgeräte GmbH, Carl-Wery-Strasse 34, 81739 Munich, Germany
 Chairman of the Supervisory Board: Dr. Christian Fischer
 Board of Management: Dr. Matthias Metz (Chairman), Dr. Thorsten Lücke, Dr. Alexander Dony, Rudolf Klöttscher, Lars Schubert
 Registered Office: Munich; Registry Court: Amtsgericht München, HRB 75534, WEEE-Reg.-No. DE 57986696

The drawing is provided only as an example.
 Please pay attention to the technical installation drawings in the Gaggenau Models and Dimensions. The technical drawings are based on the data transferred by the customer and are merely for installation recommendation. The exact installation must be verified by the kitchen studio on an individual customer basis. Please observe the local applicable building regulations when configuring ventilation solutions.

8 October 2024

Configuration	2x VL 414 712 - 2x AR 403 722 - 3 Varios	Min. Work depth	Min. 43 5/16"	Ventilation mode	Extraction
Type reference cooktops	: VG425211CA -VP414611 - VI414613	Type reference ventilation appliance	VL 414 712	Type reference remote fan unit	AR 403 722

Mounting information



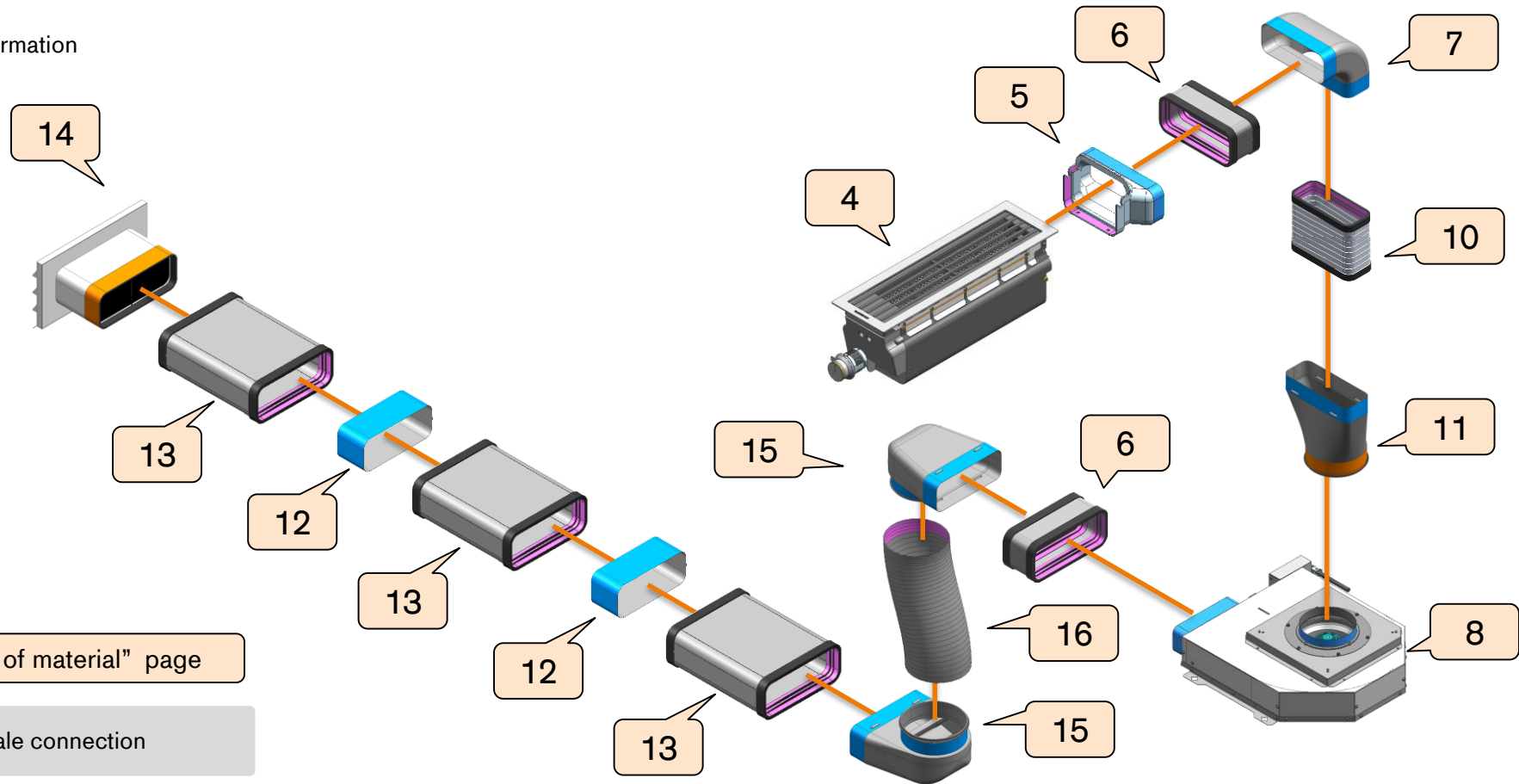
BSH Hausgeräte GmbH, Carl-Wery-Strasse 34, 81739 Munich, Germany
 Chairman of the Supervisory Board: Dr. Christian Fischer
 Board of Management: Dr. Matthias Metz (Chairman), Dr. Thorsten Lücke, Dr. Alexander Dony, Rudolf Klöttscher, Lars Schubert
 Registered Office: Munich; Registry Court: Amtsgericht München, HRB 75534, WEEE-Reg.-No. DE 57986696

The drawing is provided only as an example.
 Please pay attention to the technical installation drawings in the Gaggenau Models and Dimensions. The technical drawings are based on the data transferred by the customer and are merely for installation recommendation. The exact installation must be verified by the kitchen studio on an individual customer basis. Please observe the local applicable building regulations when configuring ventilation solutions.

8 October 2024

Configuration	2x VL 414 712 - 2x AR 403 722 - 3 Varios	Min. Work depth	Min. 43 5/16"	Ventilation mode	Extraction
Type reference cooktops	: VG425211CA -VP414611 - VI414613	Type reference ventilation appliance	VL 414 712	Type reference remote fan unit	AR 403 722

Mounting information



See "Bill of material" page

- Blue : male connection
- Pink: female connection
- Orange: into male connection DN 150

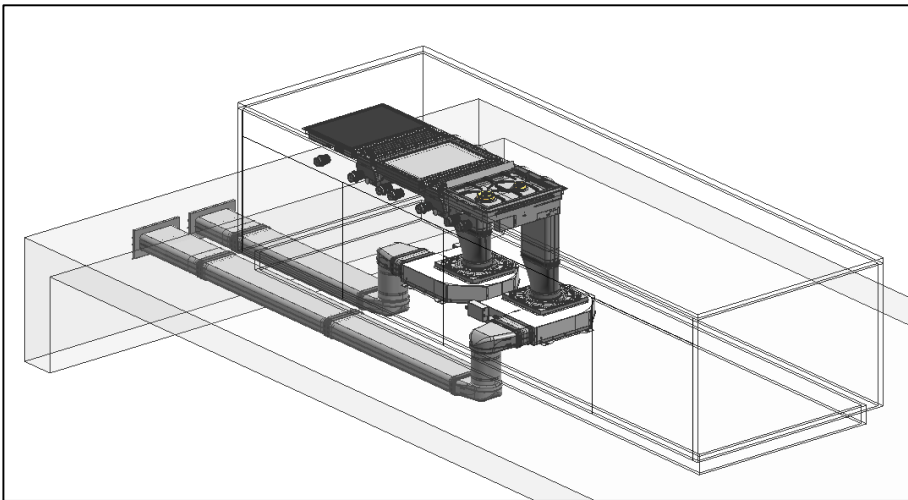
BSH Hausgeräte GmbH, Carl-Wery-Strasse 34, 81739 Munich, Germany
 Chairman of the Supervisory Board: Dr. Christian Fischer
 Board of Management: Dr. Matthias Metz (Chairman), Dr. Thorsten Lücke, Dr. Alexander Dony, Rudolf Klöttscher, Lars Schubert
 Registered Office: Munich; Registry Court: Amtsgericht München, HRB 75534, WEEE-Reg.-No. DE 57986696

The drawing is provided only as an example. Please pay attention to the technical installation drawings in the Gaggenau Models and Dimensions. The technical drawings are based on the data transferred by the customer and are merely for installation recommendation. The exact installation must be verified by the kitchen studio on an individual customer basis. Please observe the local applicable building regulations when configuring ventilation solutions.

8 October 2024

Configuration	2x VL 414 712 - 2x AR 403 722 - 3 Varios	Min. Work depth	Min. 43 5/16"	Ventilation mode	Extraction
Type reference cooktops	: VG425211CA -VP414611 - VI414613	Type reference ventilation appliance	VL 414 712	Type reference remote fan unit	AR 403 722

Bill of material



Position	Quantity	Part number	Appliance Design / Accessories Design
1	1	VI 414 613	Vario induction wok cooktop 400 Series
2	1	VG 425 211 CA	Vario Gas cooktop 400 Series
3	1	VP 414 613	Vario Teppan Yaki 400 Series
4	2	VL 414 712	Vario Downdraft ventilation 400 series
5	2	AD 851 041	Connecting piece VL for extension with flat duct DN 150
6	4	AD 854 000	Flat Duct bend Connecting piece
7	2	AD 854 030	Flat duct bend 90° vertical DN150 flat
8	2	AR 403 722	400 series extraction blower
9	4 Or 4	VA 420 004 Or VA 420 010	Vario Connection strip for flush mounting Or Vario Connection strip for surface mounting
10	2	AD 858 010	Flat Duct 6" flex pipe L 1000mm
11	2	AD 854 041	Flat Duct 6" adapter Round Ø 6"
12	3	AD 854 040	Flat Duct 6" connecting piece
13	5	AD 854 010	Flat Duct 6" L.1000mm
14	2	AD 850 050	Wall outlet 6" flat
15	4	AD 854 032	Flat Duct adapter Round 90°
16	2	AD 751 010	Aluflex pipe DN150
17	1	AA 414 010	Ventilation moulding for VL414 next to gas appliance
18	1	AD 990 091	Adhesive tape for duct components Aluminium

BSH Hausgeräte GmbH, Carl-Wery-Strasse 34, 81739 Munich, Germany
 Chairman of the Supervisory Board: Dr. Christian Fischer
 Board of Management: Dr. Matthias Metz (Chairman), Dr. Thorsten Lücke, Dr. Alexander Dony, Rudolf Klöttscher, Lars Schubert
 Registered Office: Munich; Registry Court: Amtsgericht München, HRB 75534, WEEE-Reg.-No. DE 57986696

The drawing is provided only as an example.
 Please pay attention to the technical installation drawings in the Gaggenau Models and Dimensions. The technical drawings are based on the data transferred by the customer and are merely for installation recommendation. The exact installation must be verified by the kitchen studio on an individual customer basis. Please observe the local applicable building regulations when configuring ventilation solutions.