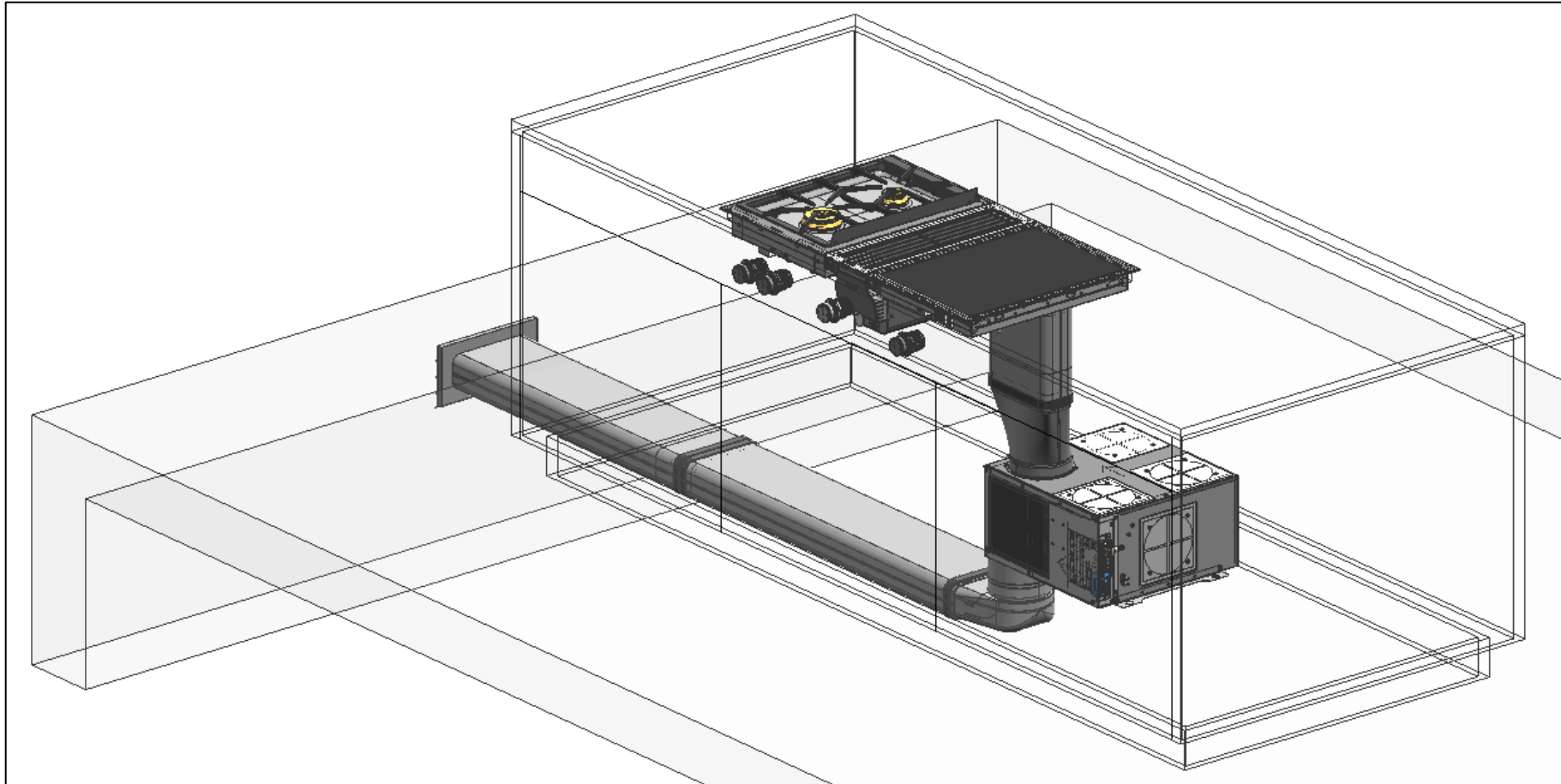


Configuration	VL 414 712 - AR 400 742 - 2 Varios	Min. Work depth	Min. 41 5/16"	Ventilation mode	Extraction
Type reference cooktops	: VG425211CA - VI414613	Type reference ventilation appliance	VL 414 712	Type reference remote fan unit	AR 400 742

Installation view

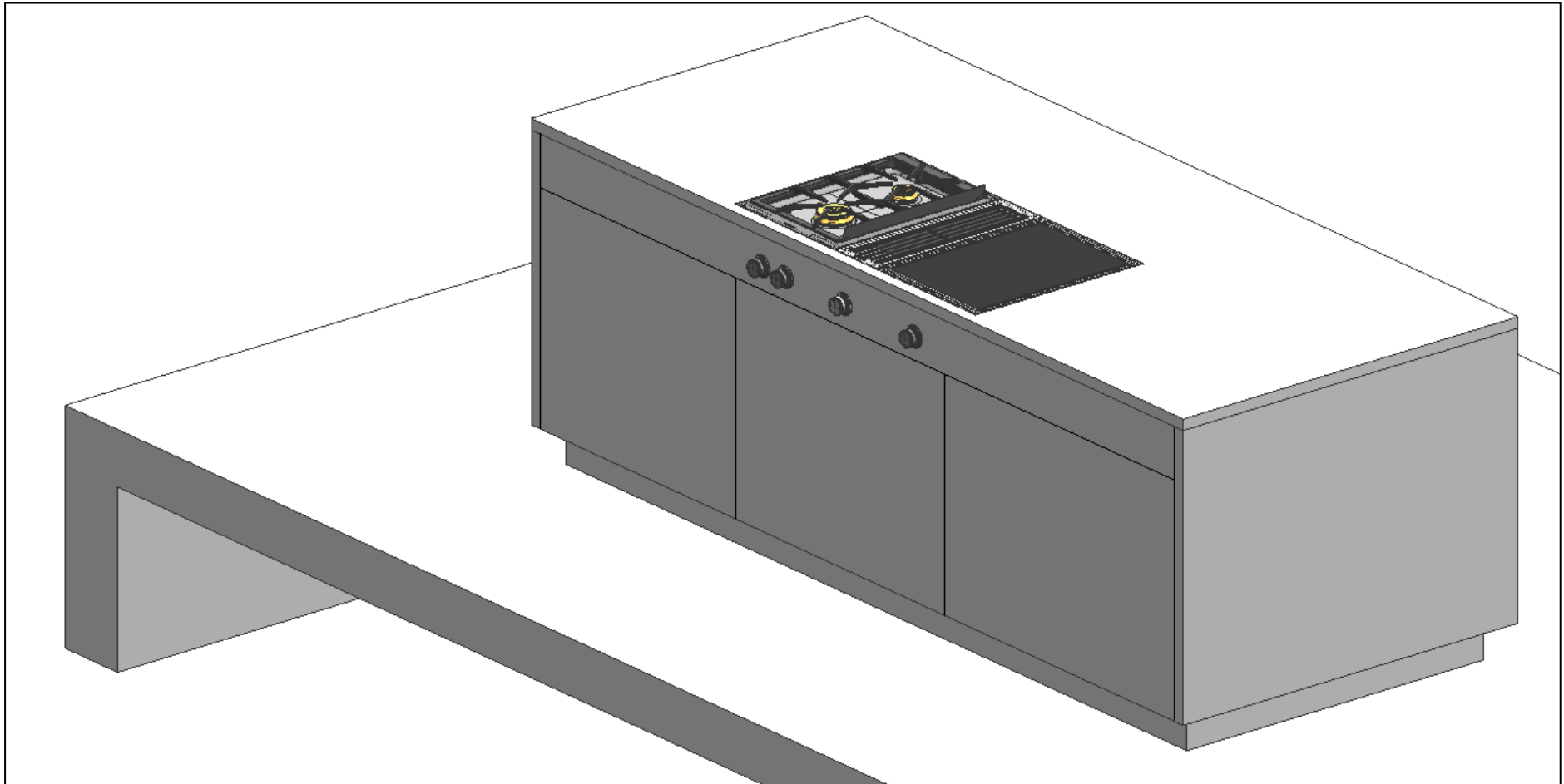


BSH Hausgeräte GmbH, Carl-Wery-Strasse 34, 81739 Munich, Germany
 Chairman of the Supervisory Board: Dr. Christian Fischer
 Board of Management: Dr. Matthias Metz (Chairman), Dr. Thorsten Lücke, Dr. Alexander Dony, Rudolf Klöttscher, Lars Schubert
 Registered Office: Munich; Registry Court: Amtsgericht München, HRB 75534, WEEE-Reg.-No. DE 57986696

The drawing is provided only as an example.
 Please pay attention to the technical installation drawings in the Gaggenau Models and Dimensions. The technical drawings are based on the data transferred by the customer and are merely for installation recommendation. The exact installation must be verified by the kitchen studio on an individual customer basis. Please observe the local applicable building regulations when configuring ventilation solutions.

Configuration	VL 414 712 - AR 400 742 - 2 Varios	Min. Work depth	Min. 41 5/16"	Ventilation mode	Extraction
Type reference cooktops	: VG425211CA - VI414613	Type reference ventilation appliance	VL 414 712	Type reference remote fan unit	AR 400 742

Installation view

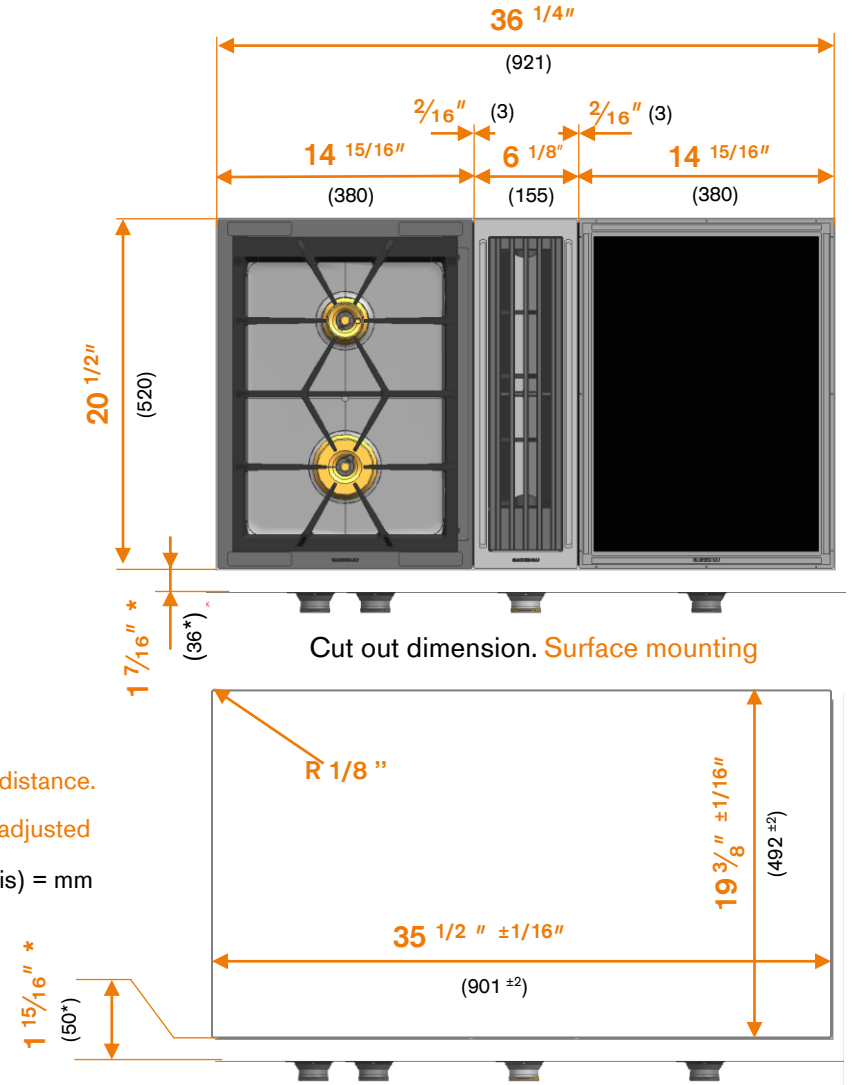
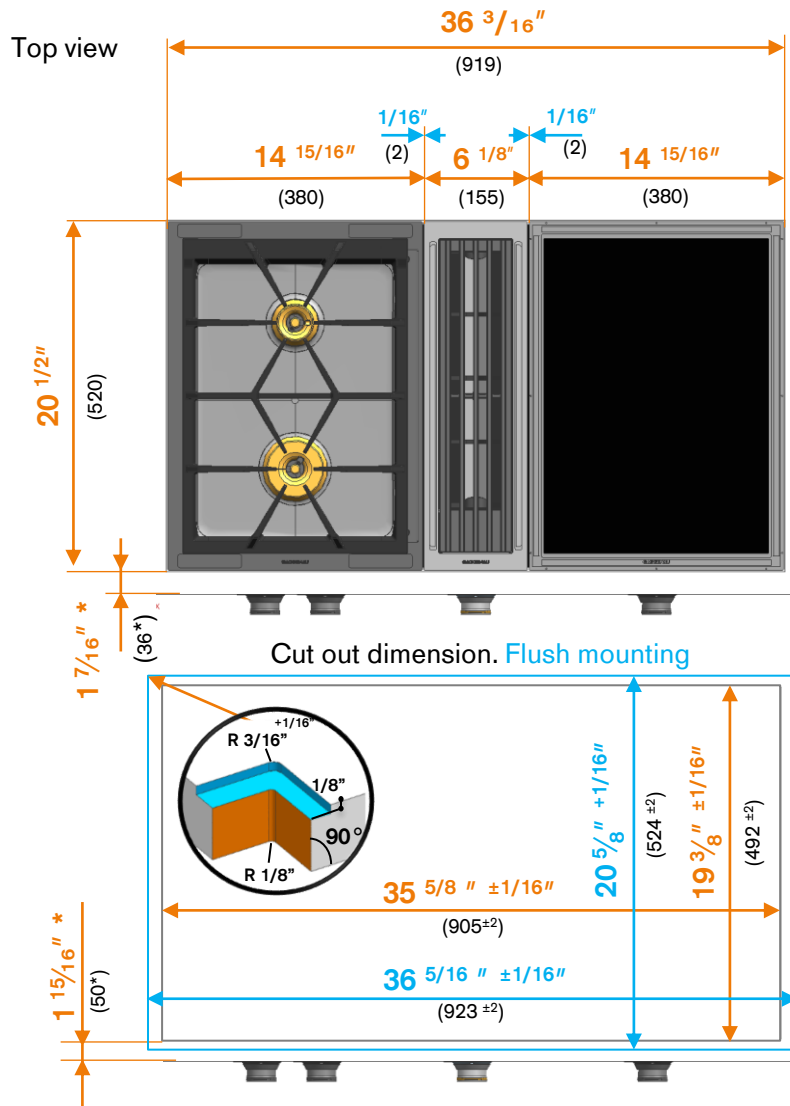


BSH Hausgeräte GmbH, Carl-Wery-Strasse 34, 81739 Munich, Germany
 Chairman of the Supervisory Board: Dr. Christian Fischer
 Board of Management: Dr. Matthias Metz (Chairman), Dr. Thorsten Lücke, Dr. Alexander Dony, Rudolf Klöttscher, Lars Schubert
 Registered Office: Munich; Registry Court: Amtsgericht München, HRB 75534, WEEE-Reg.-No. DE 57986696

The drawing is provided only as an example.
 Please pay attention to the technical installation drawings in the Gaggenau Models and Dimensions. The technical drawings are based on the data transferred by the customer and are merely for installation recommendation. The exact installation must be verified by the kitchen studio on an individual customer basis. Please observe the local applicable building regulations when configuring ventilation solutions.

27 February 2025

Configuration	VL 414 712 - AR 400 742 - 2 Varios	Min. Work depth	Min. 41 5/16"	Ventilation mode	Extraction
Type reference cooktops	: VG425211CA - VI414613	Type reference ventilation appliance	VL 414 712	Type reference remote fan unit	AR 400 742

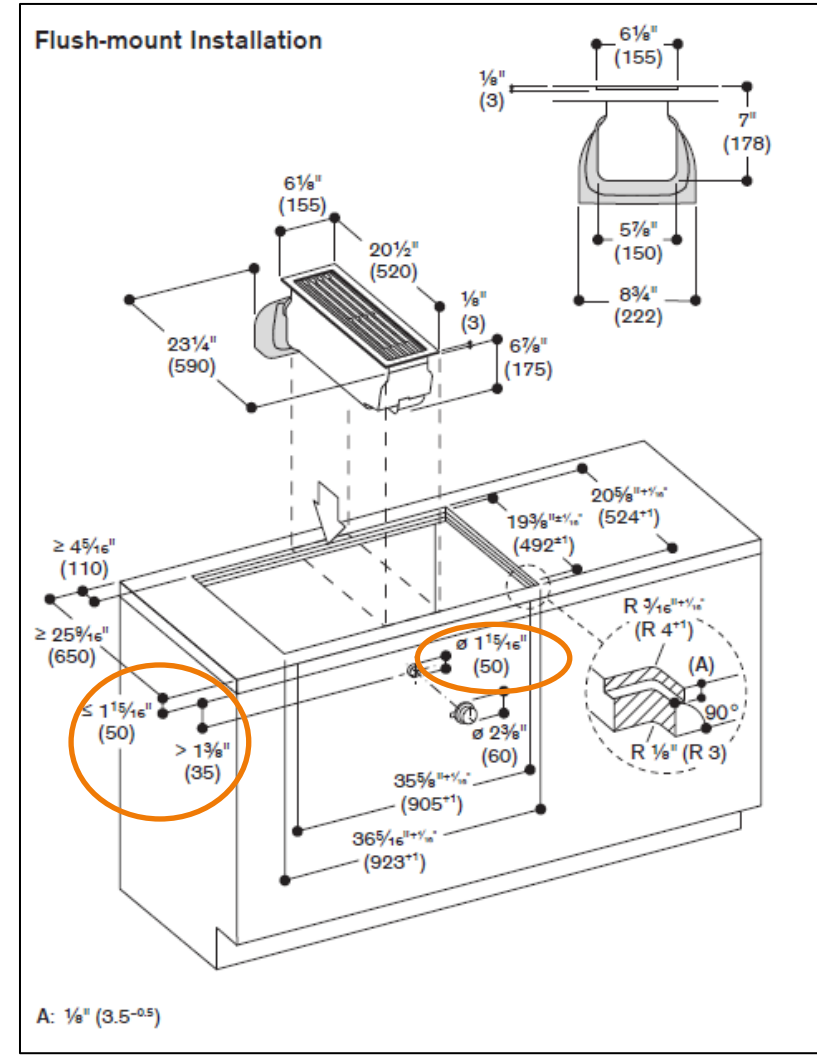
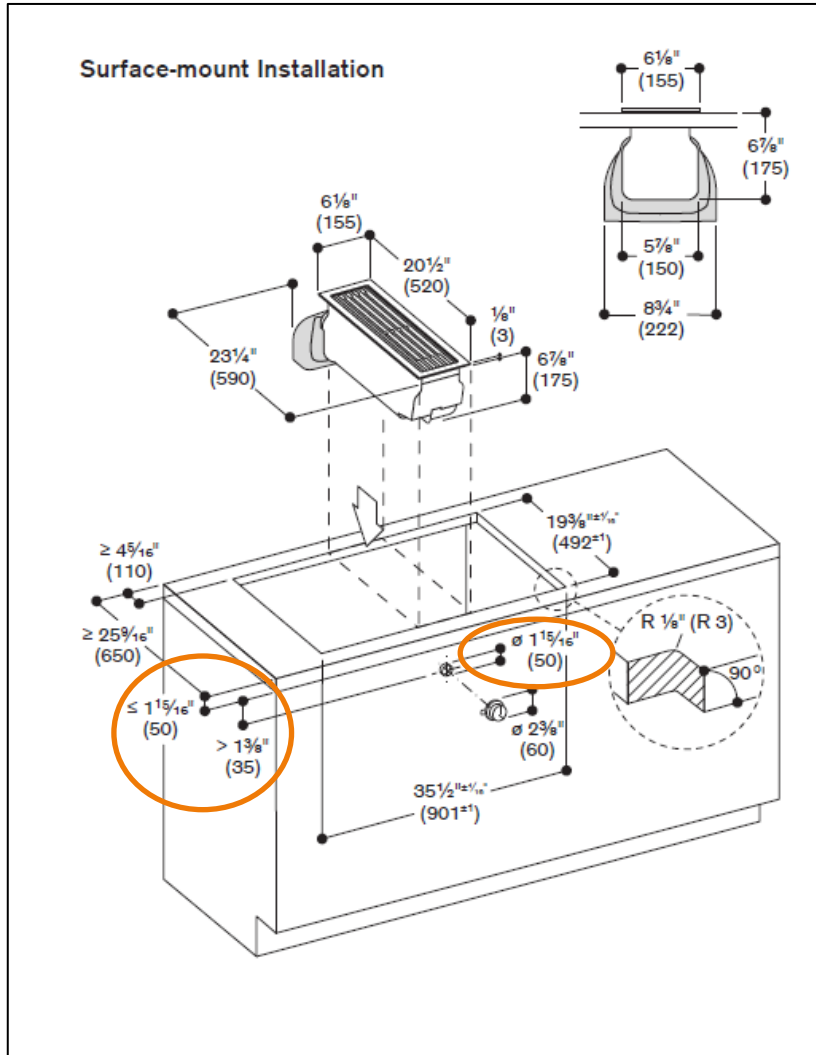


*: Recommended distance.
Distance can be adjusted
(inside parenthesis) = mm

The drawing is provided only as an example.

Please pay attention to the technical installation drawings in the Gaggenau Models and Dimensions. The technical drawings are based on the data transferred by the customer and are merely for installation recommendation. The exact installation must be verified by the kitchen studio on an individual customer basis. Please observe the local applicable building regulations when configuring ventilation solutions.

Configuration	VL 414 712 - AR 400 742 - 2 Varios	Min. Work depth	Min. 41 5/16"	Ventilation mode	Extraction
Type reference cooktops	: VG425211CA - VI414613	Type reference ventilation appliance	VL 414 712	Type reference remote fan unit	AR 400 742



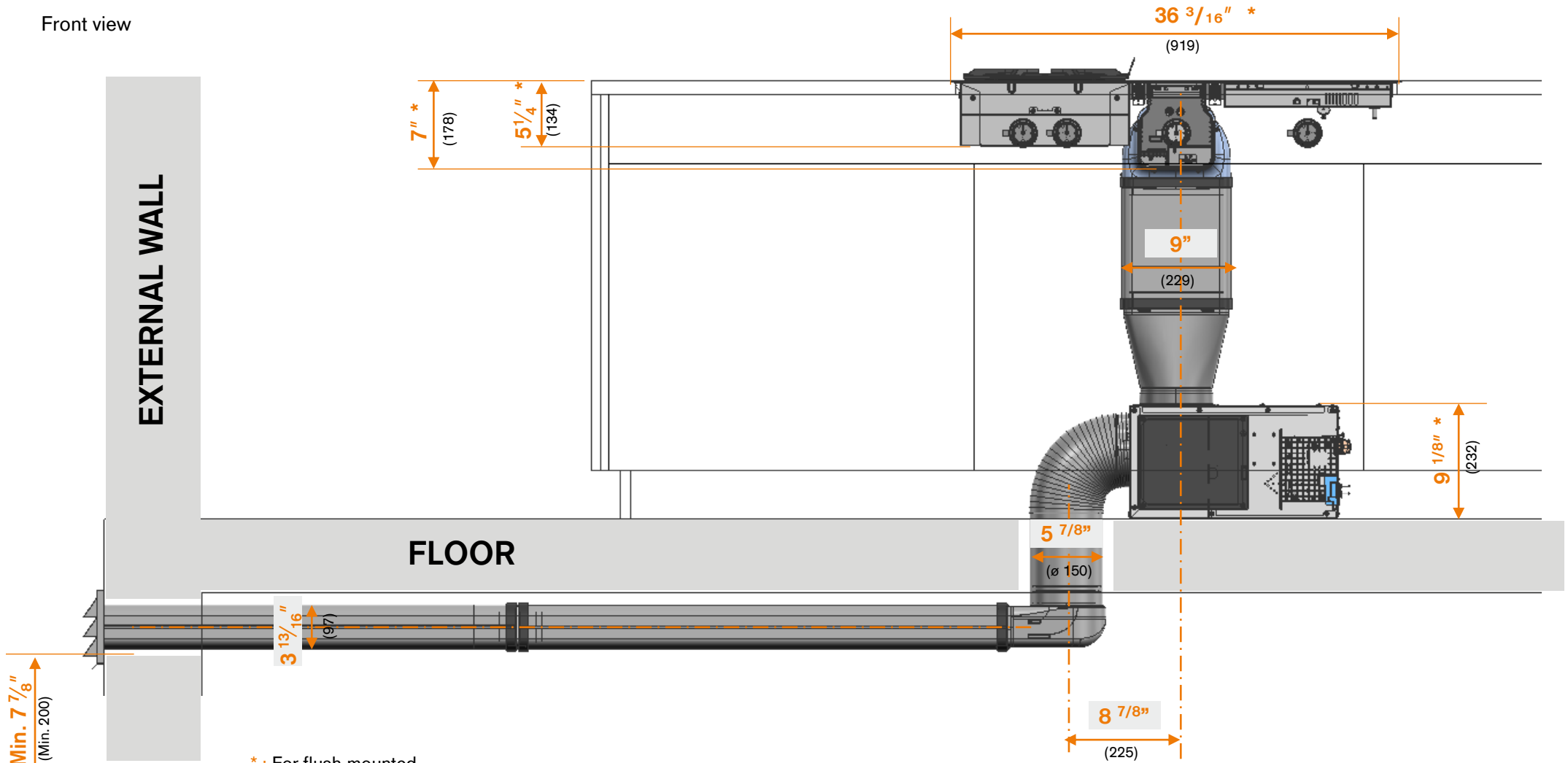
(inside parenthesis) = mm

BSH Hausgeräte GmbH, Carl-Wery-Strasse 34, 81739 Munich, Germany
 Chairman of the Supervisory Board: Dr. Christian Fischer
 Board of Management: Dr. Matthias Metz (Chairman), Dr. Thorsten Lücke, Dr. Alexander Dony, Rudolf Klöttscher, Lars Schubert
 Registered Office: Munich; Registry Court: Amtsgericht München, HRB 75534, WEEE-Reg.-No. DE 57986696

27 February 2025

Configuration	VL 414 712 - AR 400 742 - 2 Varios	Min. Work depth	Min. 41 5/16"	Ventilation mode	Extraction
Type reference cooktops	: VG425211CA - VI414613	Type reference ventilation appliance	VL 414 712	Type reference remote fan unit	AR 400 742

Front view



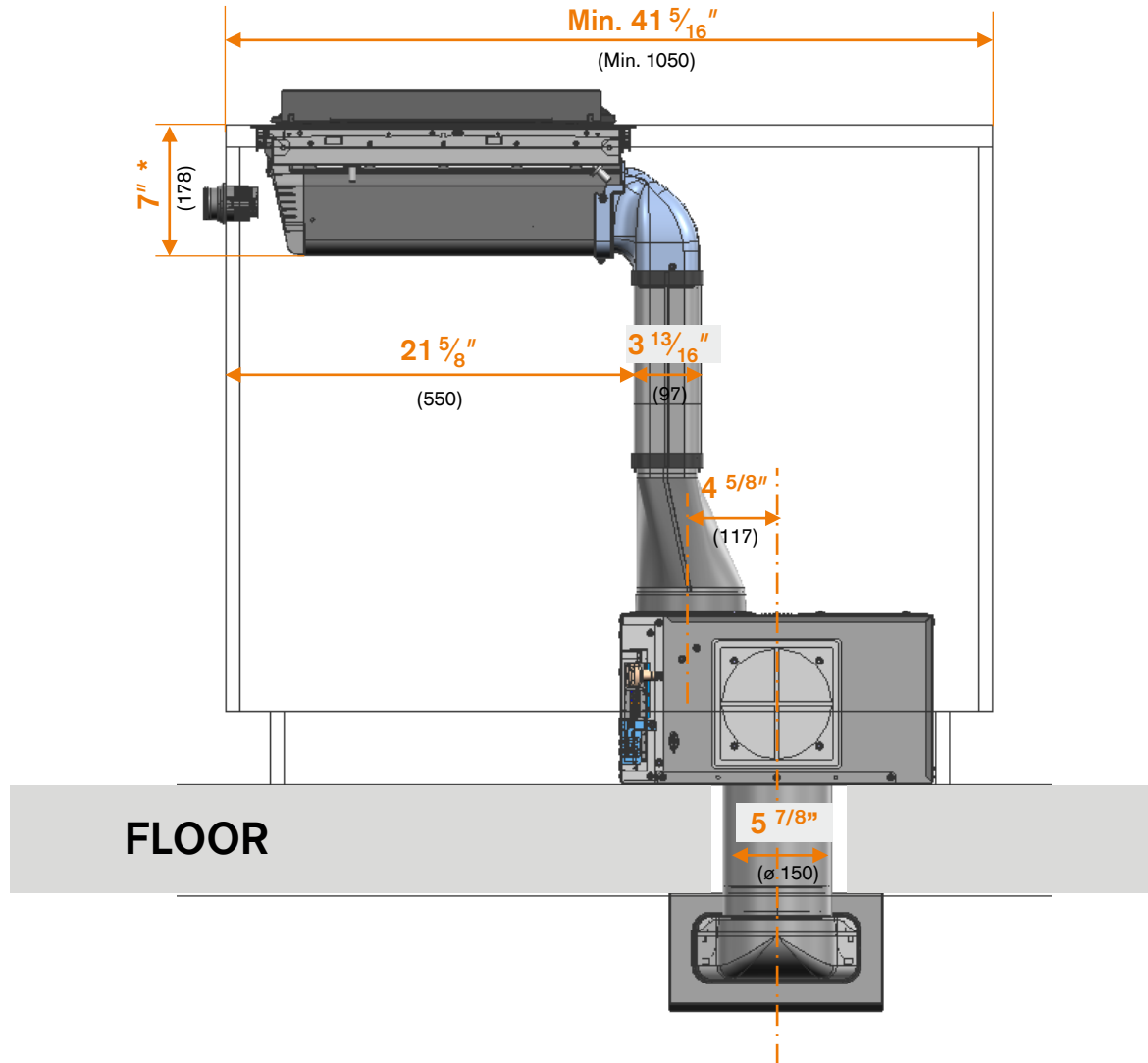
BSH Hausgeräte GmbH, Carl-Wery-Strasse 34, 81739 Munich, Germany
 Chairman of the Supervisory Board: Dr. Christian Fischer
 Board of Management: Dr. Matthias Metz (Chairman), Dr. Thorsten Lücke, Dr. Alexander Dony, Rudolf Klötscher, Lars Schubert
 Registered Office: Munich; Registry Court: Amtsgericht München, HRB 75534, WEEE-Reg.-No. DE 57986696

The drawing is provided only as an example. Please pay attention to the technical installation drawings in the Gaggenau Models and Dimensions. The technical drawings are based on the data transferred by the customer and are merely for installation recommendation. The exact installation must be verified by the kitchen studio on an individual customer basis. Please observe the local applicable building regulations when configuring ventilation solutions.

27 February 2025

Configuration	VL 414 712 - AR 400 742 - 2 Varios	Min. Work depth	Min. 41 5/16"	Ventilation mode	Extraction
Type reference cooktops	: VG425211CA - VI414613	Type reference ventilation appliance	VL 414 712	Type reference remote fan unit	AR 400 742

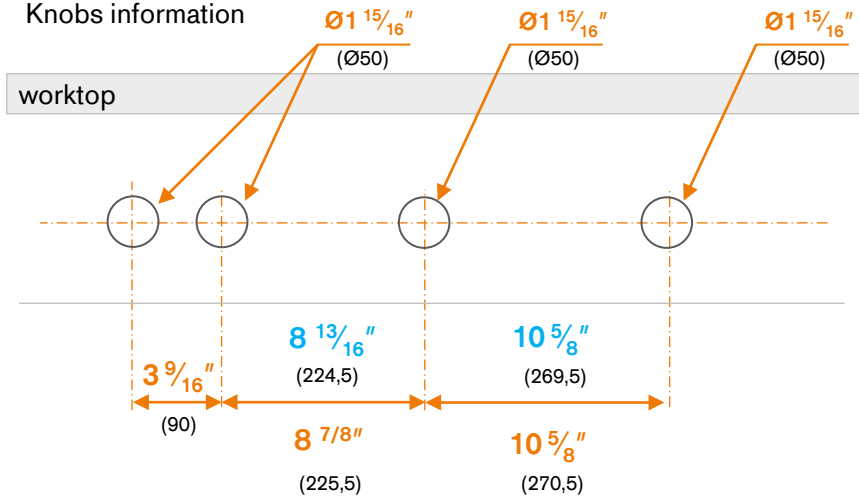
Right view



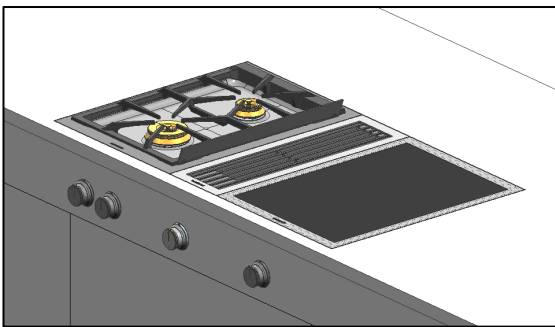
27 February 2025

Configuration	VL 414 712 - AR 400 742 - 2 Varios	Min. Work depth	Min. 41 5/16"	Ventilation mode	Extraction
Type reference cooktops	: VG425211CA - VI414613	Type reference ventilation appliance	VL 414 712	Type reference remote fan unit	AR 400 742

Knobs information

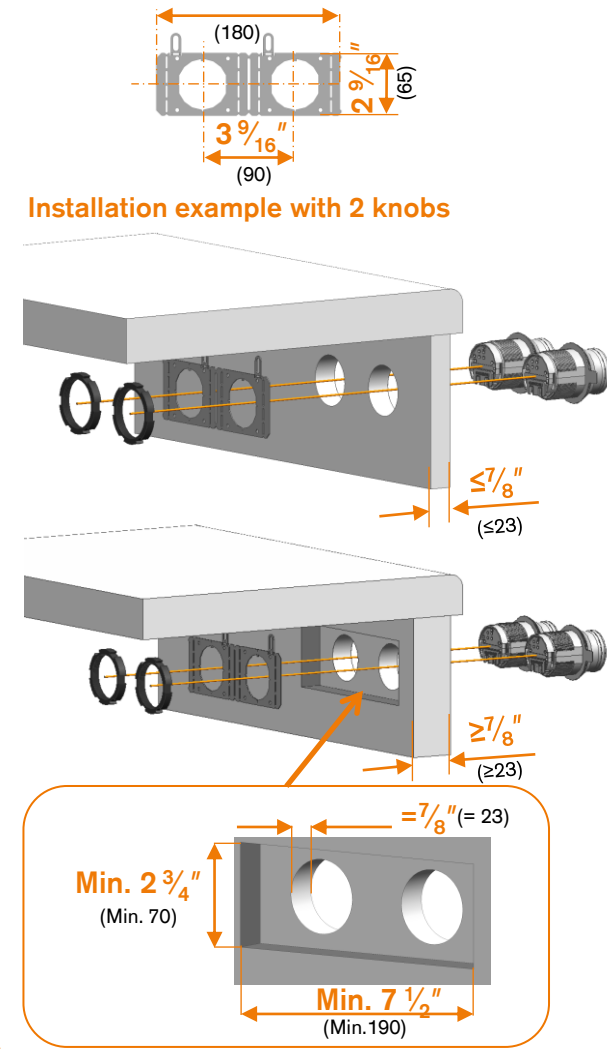
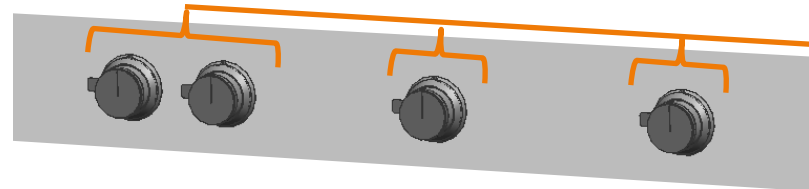
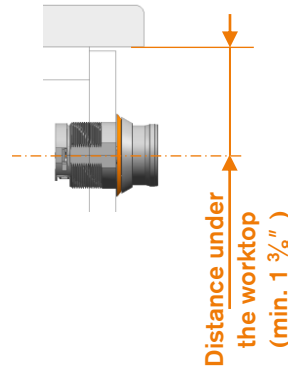


Cut out dimension: **Flush mounting**
Surface mounting



(inside parenthesis) = mm

BSH Hausgeräte GmbH, Carl-Wery-Strasse 34, 81739 Munich, Germany
 Chairman of the Supervisory Board: Dr. Christian Fischer
 Board of Management: Dr. Matthias Metz (Chairman), Dr. Thorsten Lücke, Dr. Alexander Dony, Rudolf Klöttscher, Lars Schubert
 Registered Office: Munich; Registry Court: Amtsgericht München, HRB 75534, WEEE-Reg.-No. DE 57986696

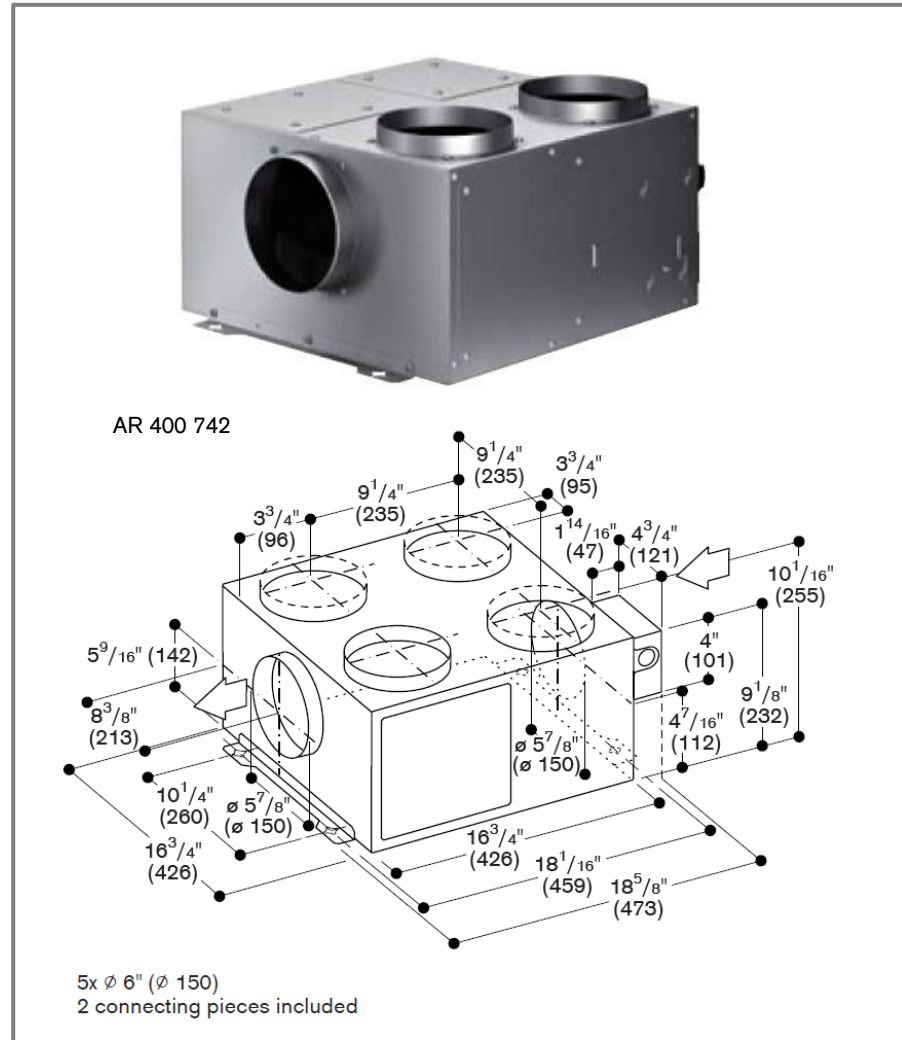


The drawing is provided only as an example.
 Please pay attention to the technical installation drawings in the Gaggenau Models and Dimensions. The technical drawings are based on the data transferred by the customer and are merely for installation recommendation. The exact installation must be verified by the kitchen studio on an individual customer basis. Please observe the local applicable building regulations when configuring ventilation solutions.

27 February 2025

Configuration	VL 414 712 - AR 400 742 - 2 Varios	Min. Work depth	Min. 41 5/16"	Ventilation mode	Extraction
Type reference cooktops	: VG425211CA - VI414613	Type reference ventilation appliance	VL 414 712	Type reference remote fan unit	AR 400 742

Information about remote fan unit AR 400 742



BSH Hausgeräte GmbH, Carl-Wery-Strasse 34, 81739 Munich, Germany
 Chairman of the Supervisory Board: Dr. Christian Fischer
 Board of Management: Dr. Matthias Metz (Chairman), Dr. Thorsten Lücke, Dr. Alexander Dony, Rudolf Klöttscher, Lars Schubert
 Registered Office: Munich; Registry Court: Amtsgericht München, HRB 75534, WEEE-Reg.-No. DE 57986696

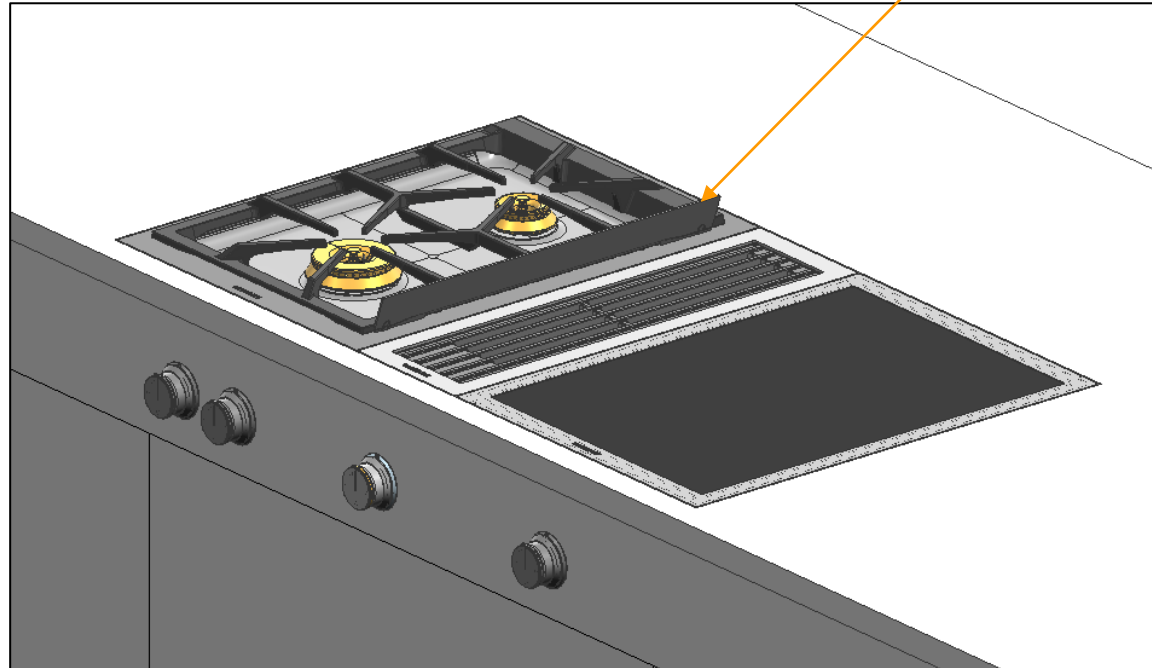
The drawing is provided only as an example.
 Please pay attention to the technical installation drawings in the Gaggenau Models and Dimensions. The technical drawings are based on the data transferred by the customer and are merely for installation recommendation. The exact installation must be verified by the kitchen studio on an individual customer basis. Please observe the local applicable building regulations when configuring ventilation solutions.

27 February 2025

Configuration	VL 414 712 - AR 400 742 - 2 Varios	Min. Work depth	Min. 41 5/16"	Ventilation mode	Extraction
Type reference cooktops	: VG425211CA - VI414613	Type reference ventilation appliance	VL 414 712	Type reference remote fan unit	AR 400 742

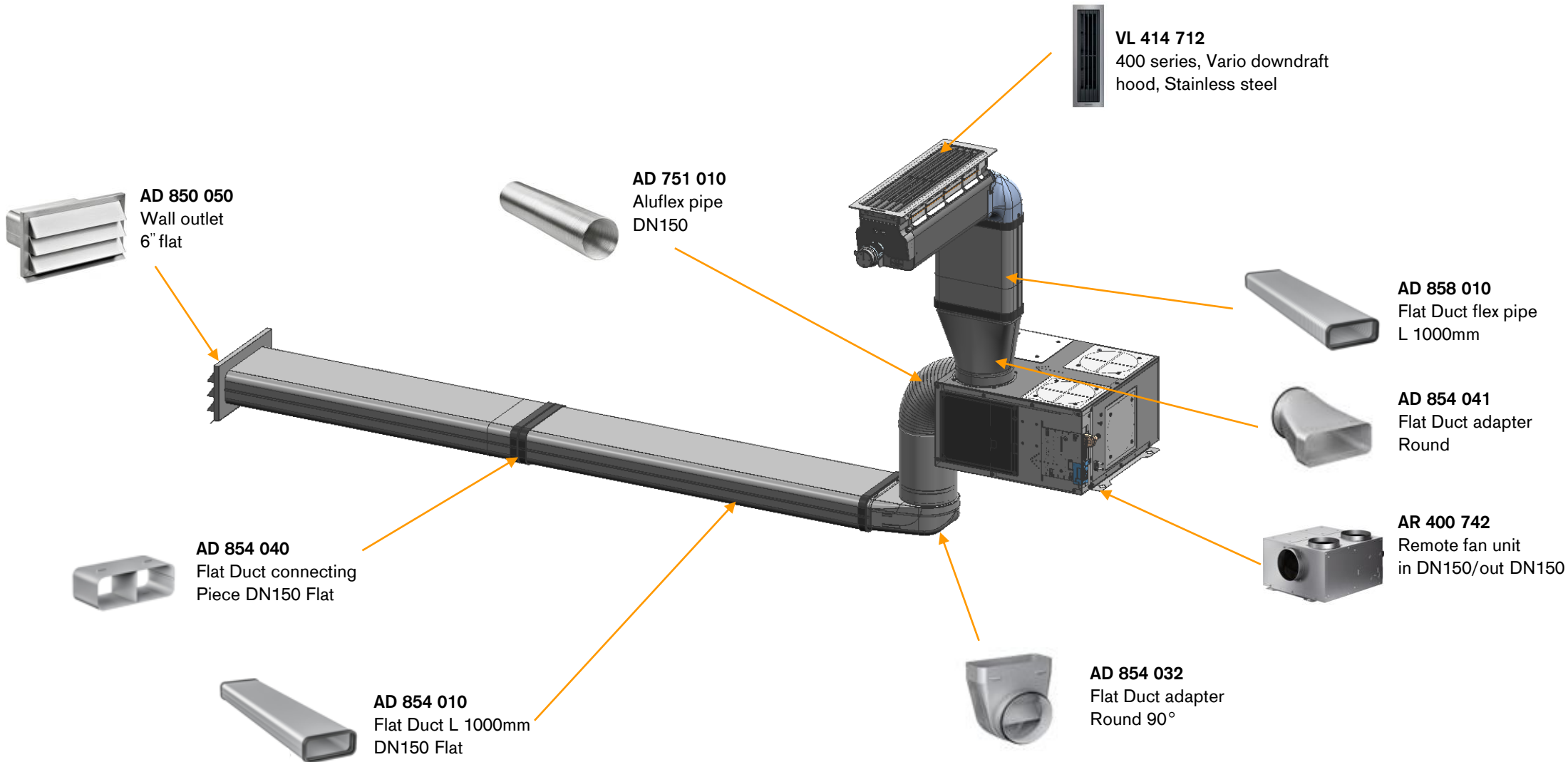
Specific to gas appliances

AA 414 010
Ventilation moulding for
VL414 next to gas appliance



27 February 2025

Configuration	VL 414 712 - AR 400 742 - 2 Varios	Min. Work depth	Min. 41 5/16"	Ventilation mode	Extraction
Type reference cooktops	: VG425211CA - VI414613	Type reference ventilation appliance	VL 414 712	Type reference remote fan unit	AR 400 742



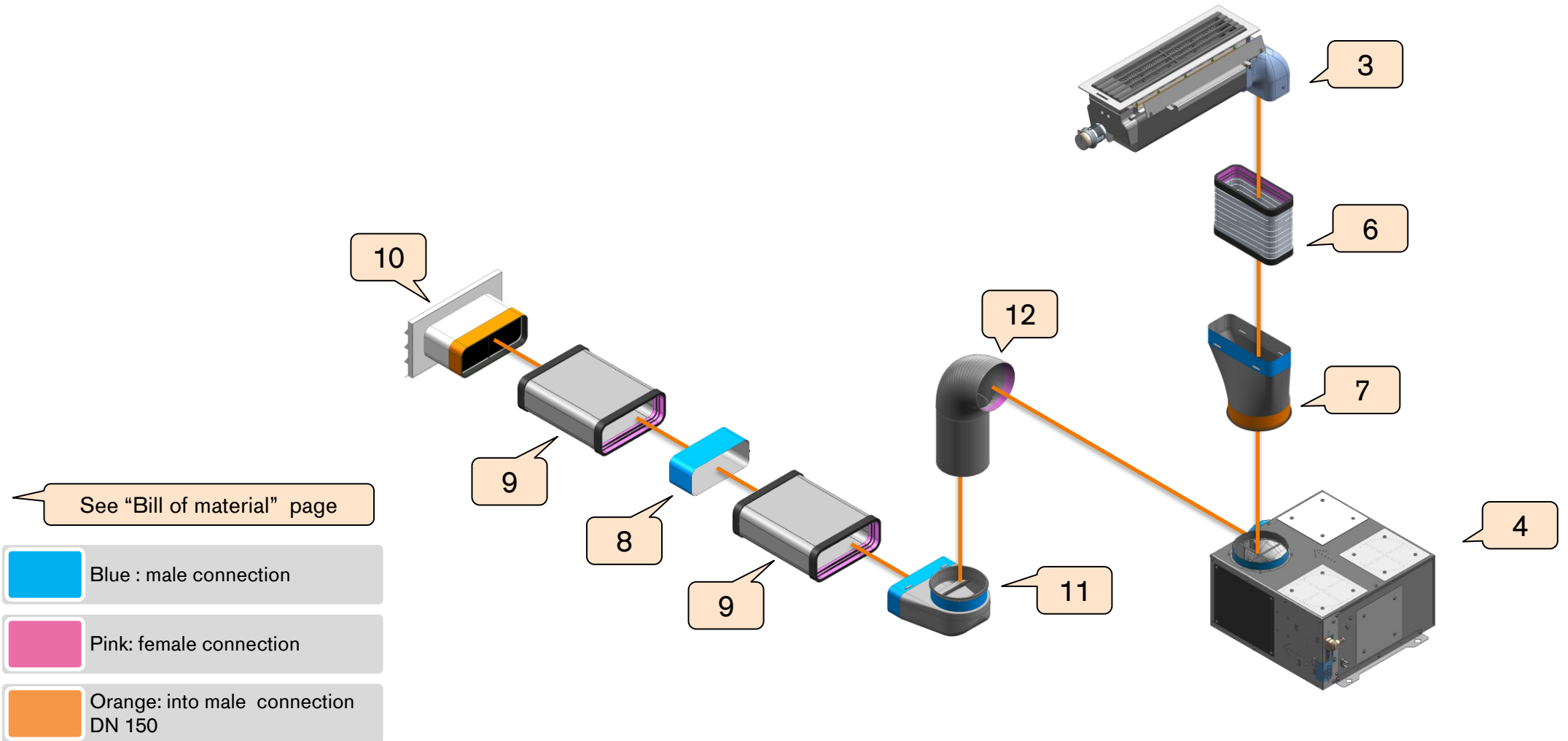
BSH Hausgeräte GmbH, Carl-Wery-Strasse 34, 81739 Munich, Germany
 Chairman of the Supervisory Board: Dr. Christian Fischer
 Board of Management: Dr. Matthias Metz (Chairman), Dr. Thorsten Lücke, Dr. Alexander Dony, Rudolf Klötscher, Lars Schubert
 Registered Office: Munich; Registry Court: Amtsgericht München, HRB 75534, WEEE-Reg.-No. DE 57986696

The drawing is provided only as an example.
 Please pay attention to the technical installation drawings in the Gaggenau Models and Dimensions. The technical drawings are based on the data transferred by the customer and are merely for installation recommendation. The exact installation must be verified by the kitchen studio on an individual customer basis. Please observe the local applicable building regulations when configuring ventilation solutions.

27 February 2025

Configuration	VL 414 712 - AR 400 742 - 2 Varios	Min. Work depth	Min. 41 5/16"	Ventilation mode	Extraction
Type reference cooktops	: VG425211CA - VI414613	Type reference ventilation appliance	VL 414 712	Type reference remote fan unit	AR 400 742

Mounting information



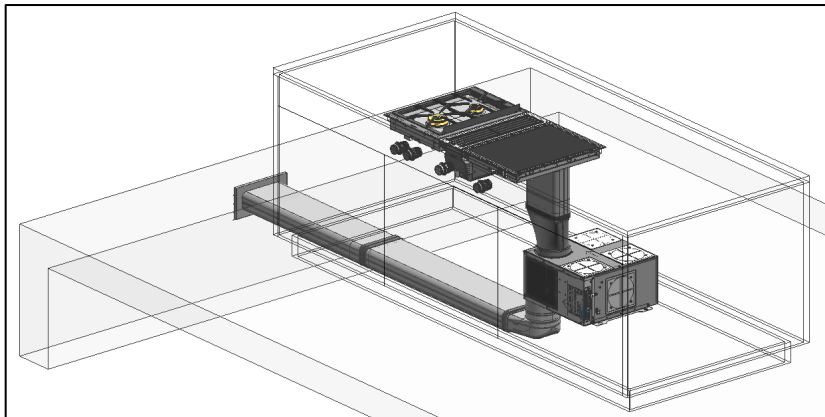
BSH Hausgeräte GmbH, Carl-Wery-Strasse 34, 81739 Munich, Germany
 Chairman of the Supervisory Board: Dr. Christian Fischer
 Board of Management: Dr. Matthias Metz (Chairman), Dr. Thorsten Lücke, Dr. Alexander Dony, Rudolf Klötscher, Lars Schubert
 Registered Office: Munich; Registry Court: Amtsgericht München, HRB 75534, WEEE-Reg.-No. DE 57986696

The drawing is provided only as an example.
 Please pay attention to the technical installation drawings in the Gaggenau Models and Dimensions. The technical drawings are based on the data transferred by the customer and are merely for installation recommendation. The exact installation must be verified by the kitchen studio on an individual customer basis. Please observe the local applicable building regulations when configuring ventilation solutions.

27 February 2025

Configuration	VL 414 712 - AR 400 742 - 2 Varios	Min. Work depth	Min. 41 5/16"	Ventilation mode	Extraction
Type reference cooktops	: VG425211CA - VI414613	Type reference ventilation appliance	VL 414 712	Type reference remote fan unit	AR 400 742

Bill of material



Position	Quantity	Part number	Appliance Design / Accessories Design
1	1	VI 414 613	Vario induction wok cooktop 400 Series
2	1	VG 425 211 CA	Vario Gas cooktop 400 Series
3	1	VL 414 712	Vario Downdraft ventilation 400 series
4	1	AR 400 742	Remote fan unit in DN150/out DN150
5	2 Or 2	VA 420 004 Or VA 420 010	Vario Connection strip for flush mounting Or Vario Connection strip for surface mounting
6	1	AD 858 010	Flat Duct 6" flex pipe L 1000mm
7	1	AD 854 041	Flat Duct 6" adapter Round Ø 6"
8	1	AD 854 040	Flat Duct 6" connecting piece
9	2	AD 854 010	Flat Duct 6" L.1000mm
10	1	AD 850 050	Wall outlet 6" flat
11	1	AD 854 032	Flat Duct adapter Round 90°
12	1	AD 751 010	Aluflex pipe DN150
13	1	AA 414 010	Ventilation moulding for VL414 next to gas appliance
14	1	AD 990 091	Adhesive tape for duct components Aluminium