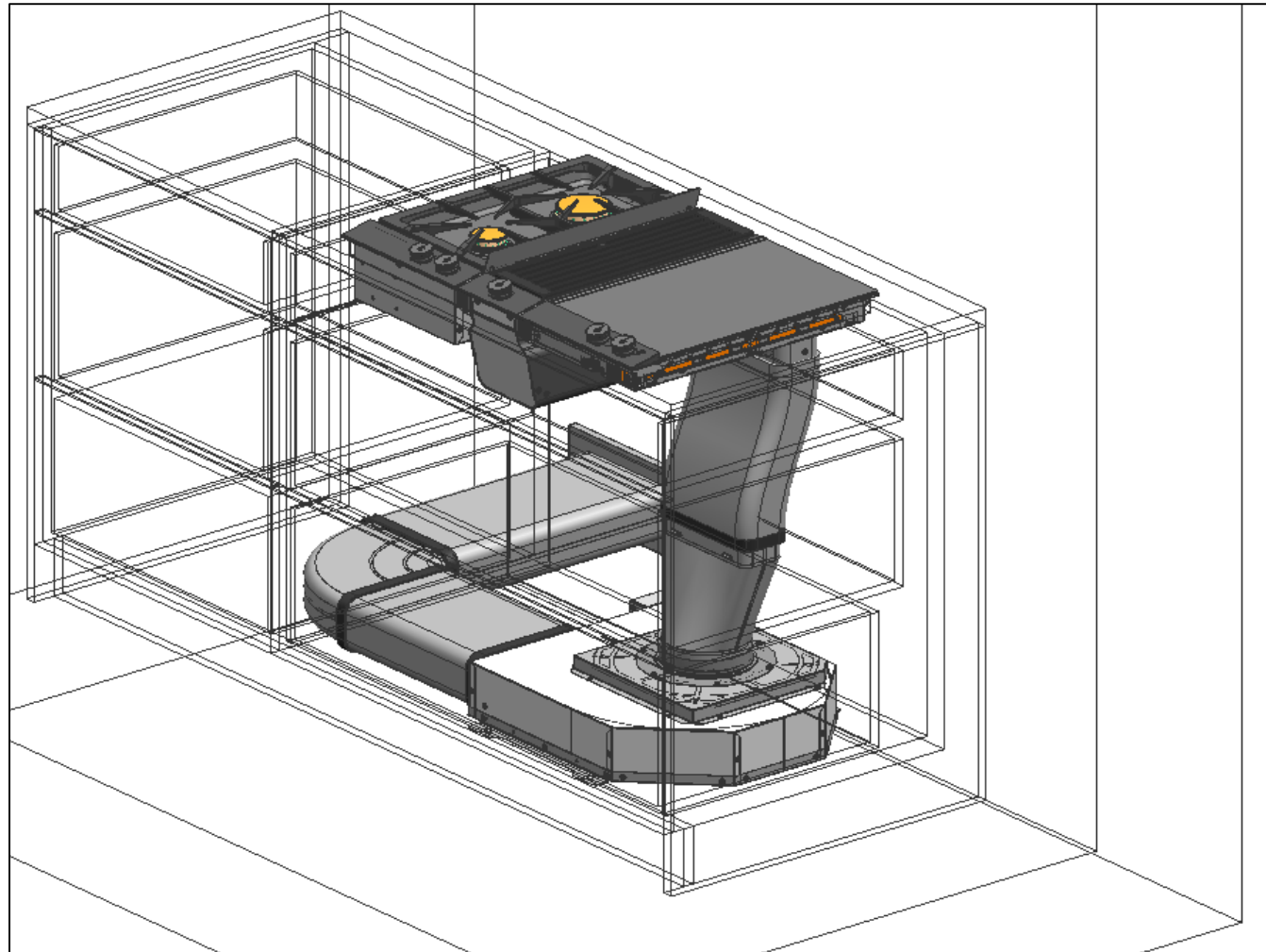


Configuration	VL200120_ 2 Varios_AR403722_Extraction	Min. Work depth	27 ⁹ / ₁₆ " (700 mm)	Ventilation mode	Air extraction
Type reference cooktops	VI 230 620 + VG 232 220CA	Type reference ventilation appliance	VL 200 120	Type reference remote fan unit	AR 403 722

Installation view

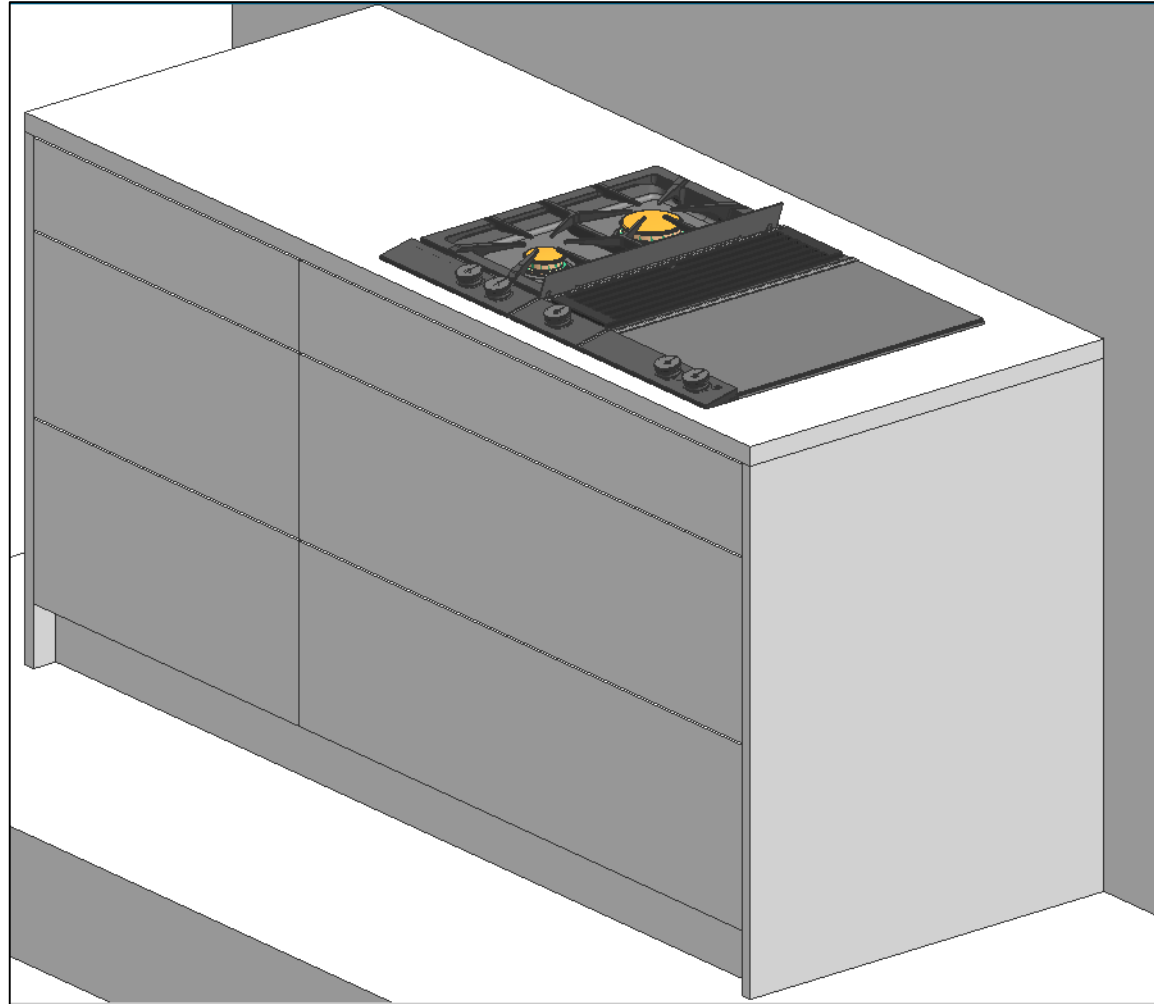


BSH Hausgeräte GmbH, Carl-Wery-Strasse 34, 81739 Munich, Germany
 Chairman of the Supervisory Board: Dr. Christian Fischer
 Board of Management: Dr. Matthias Metz (Chairman), Dr. Gerhard Dambach, Dr. Alexander Dony, Rudolf Klötscher, Lars Schubert
 Registered Office: Munich; Registry Court: Amtsgericht München, HRB 75534, WEEE-Reg.-No. DE 57986696

The drawing is provided only as an example.
 Please pay attention to the technical installation drawings in the Gaggenau Models and Dimensions. The technical drawings are based on the data transferred by the customer and are merely for installation recommendation. The exact installation must be verified by the kitchen studio on an individual customer basis. Please observe all applicable local, state and federal laws when designing, handling and installing the appliance for specific use.

Configuration	VL200120_ 2 Varios_AR403722_Extraction	Min. Work depth	27 ⁹ / ₁₆ " (700 mm)	Ventilation mode	Air extraction
Type reference cooktops	VI 230 620 + VG 232 220CA	Type reference ventilation appliance	VL 200 120	Type reference remote fan unit	AR 403 722

Installation view

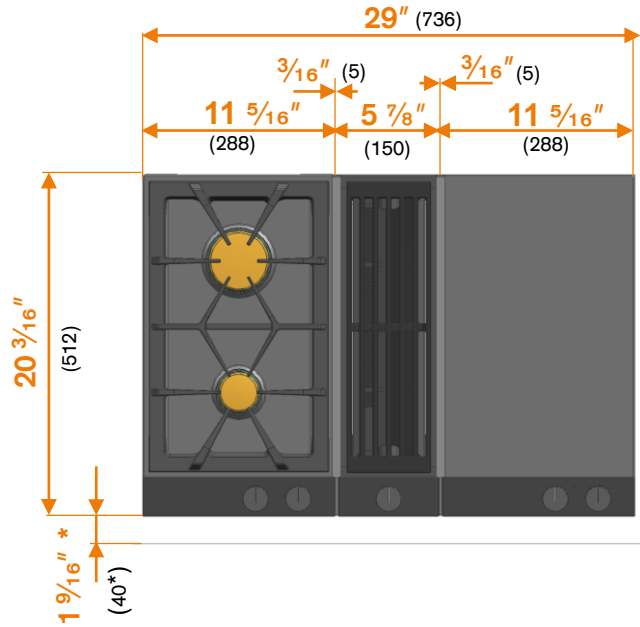


BSH Hausgeräte GmbH, Carl-Wery-Strasse 34, 81739 Munich, Germany
 Chairman of the Supervisory Board: Dr. Christian Fischer
 Board of Management: Dr. Matthias Metz (Chairman), Dr. Gerhard Dambach, Dr. Alexander Dony, Rudolf Klötscher, Lars Schubert
 Registered Office: Munich; Registry Court: Amtsgericht München, HRB 75534, WEEE-Reg.-No. DE 57986696

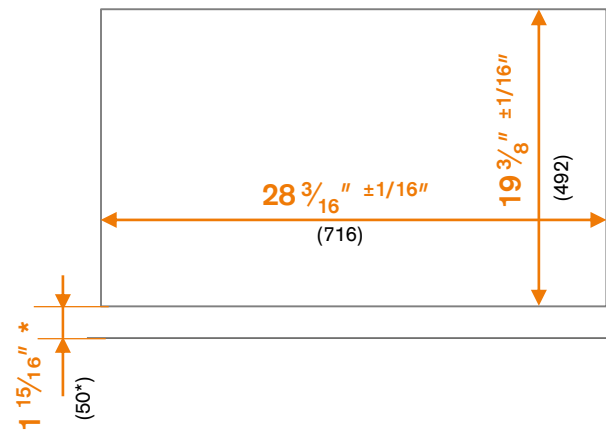
The drawing is provided only as an example.
 Please pay attention to the technical installation drawings in the Gaggenau Models and Dimensions. The technical drawings are based on the data transferred by the customer and are merely for installation recommendation. The exact installation must be verified by the kitchen studio on an individual customer basis. Please observe all applicable local, state and federal laws when designing, handling and installing the appliance for specific use.

Configuration	VL200120_ 2 Varios_AR403722_Extraction	Min. Work depth	27 ⁹ / ₁₆ " (700 mm)	Ventilation mode	Air extraction
Type reference cooktops	VI 230 620 + VG 232 220CA	Type reference ventilation appliance	VL 200 120	Type reference remote fan unit	AR 403 722

Top view



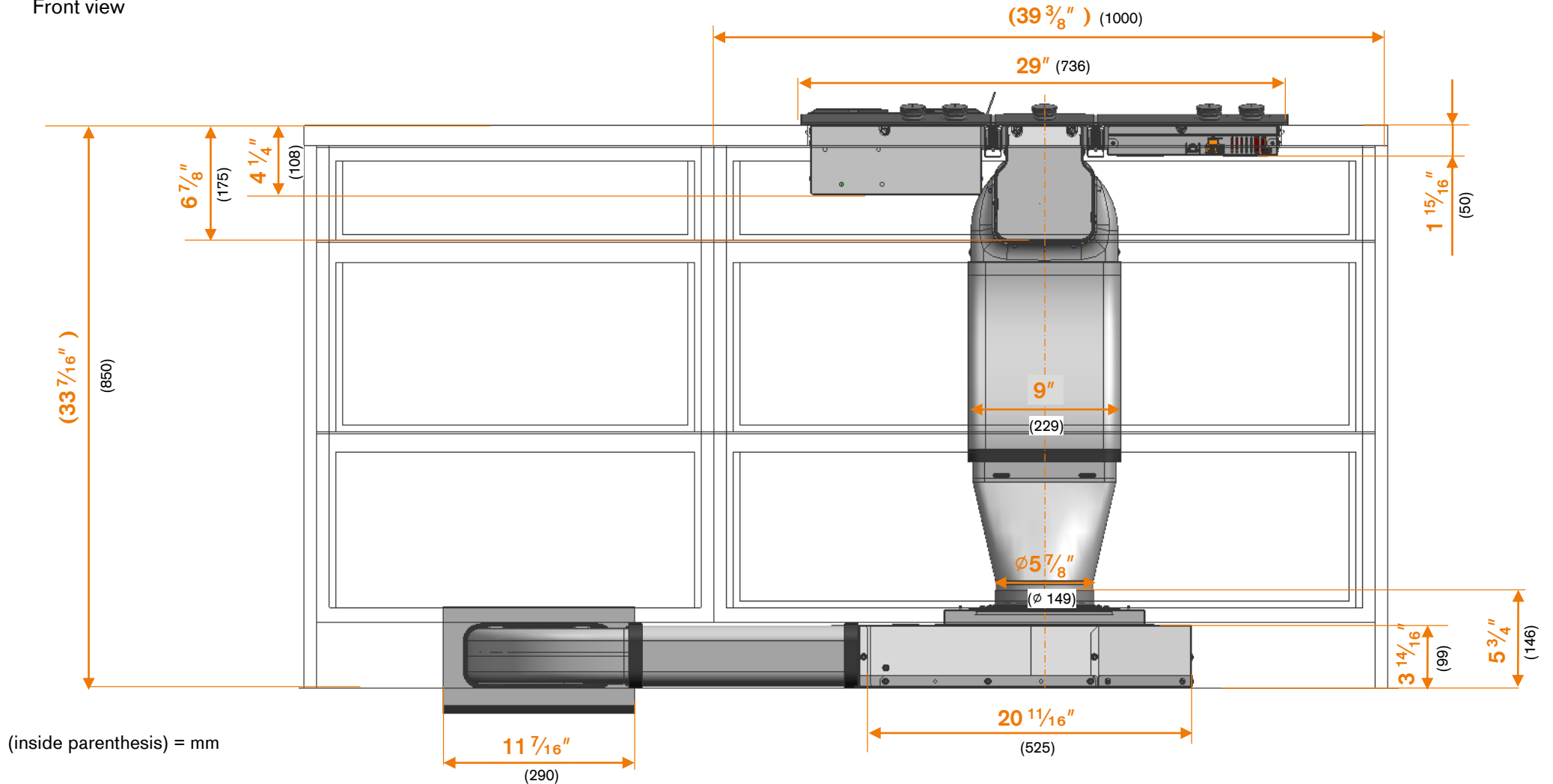
Cut-out dimensions.



* : Min. recommended distance. Distance can be adjusted
(inside parenthesis) = mm

Configuration	VL200120_ 2 Varios_AR403722_Extraction	Min. Work depth	27 ⁹ / ₁₆ " (700 mm)	Ventilation mode	Air extraction
Type reference cooktops	VI 230 620 + VG 232 220CA	Type reference ventilation appliance	VL 200 120	Type reference remote fan unit	AR 403 722

Front view

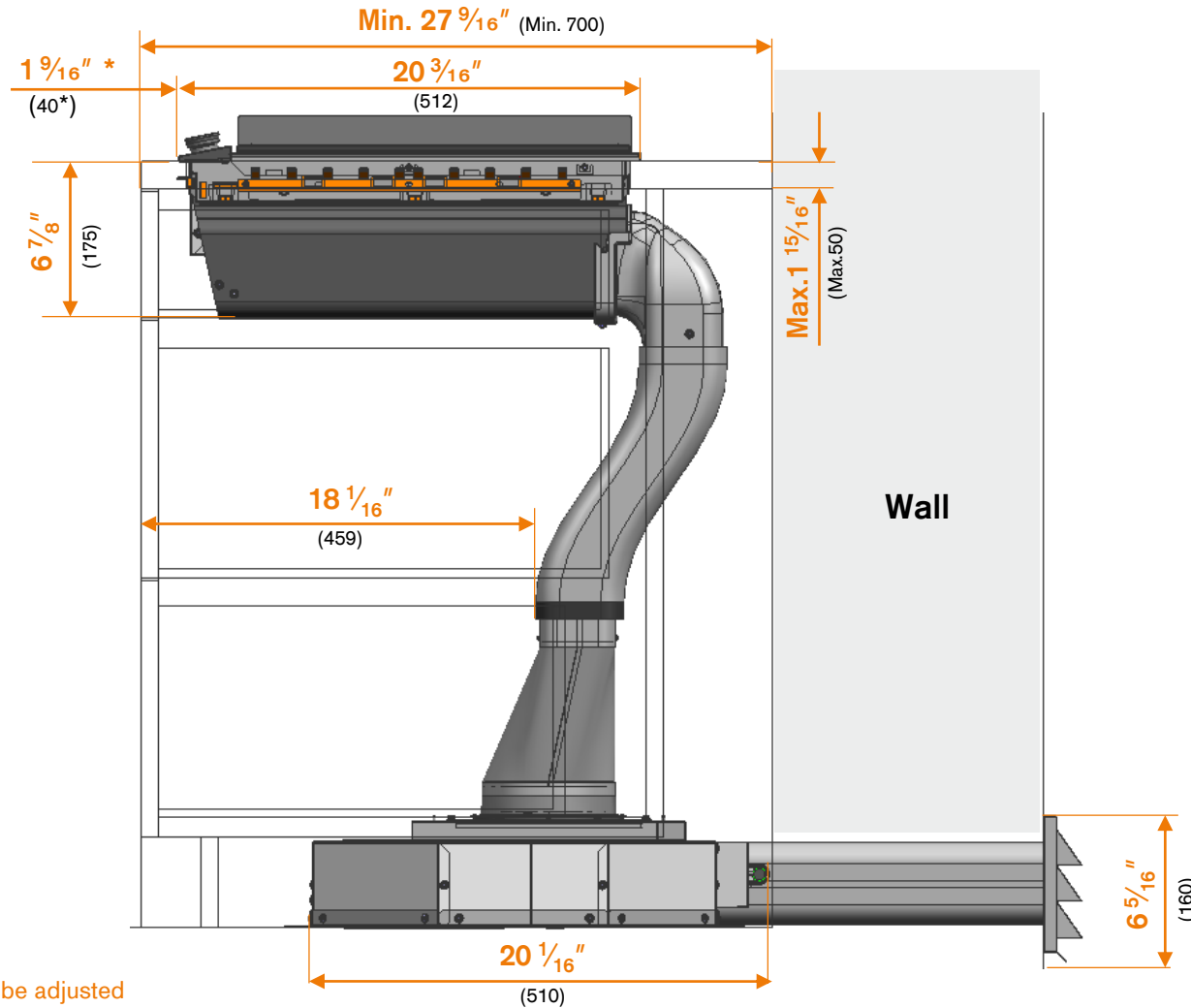


BSH Hausgeräte GmbH, Carl-Wery-Strasse 34, 81739 Munich, Germany
 Chairman of the Supervisory Board: Dr. Christian Fischer
 Board of Management: Dr. Matthias Metz (Chairman), Dr. Gerhard Dambach, Dr. Alexander Dony, Rudolf Klötscher, Lars Schubert
 Registered Office: Munich; Registry Court: Amtsgericht München, HRB 75534, WEEE-Reg.-No. DE 57986696

The drawing is provided only as an example.
 Please pay attention to the technical installation drawings in the Gaggenau Models and Dimensions. The technical drawings are based on the data transferred by the customer and are merely for installation recommendation. The exact installation must be verified by the kitchen studio on an individual customer basis. Please observe all applicable local, state and federal laws when designing, handling and installing the appliance for specific use.

Configuration	VL200120_ 2 Varios_AR403722_Extraction	Min. Work depth	27 ⁹ / ₁₆ " (700 mm)	Ventilation mode	Air extraction
Type reference cooktops	VI 230 620 + VG 232 220CA	Type reference ventilation appliance	VL 200 120	Type reference remote fan unit	AR 403 722

Right view



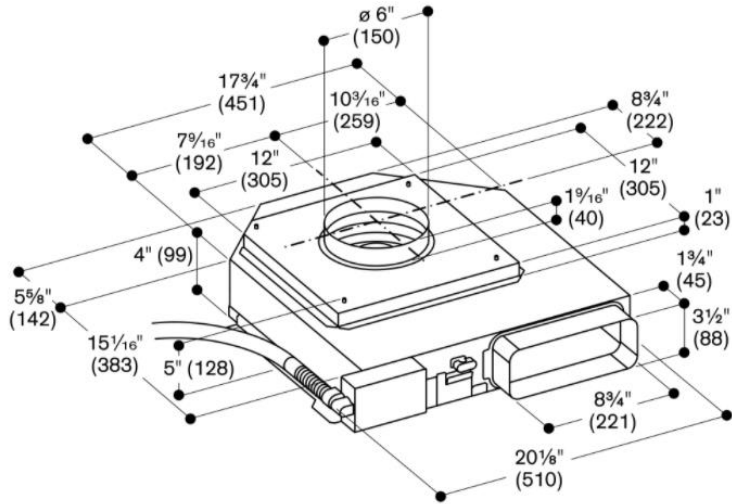
* : Recommended distance. Distance can be adjusted
(inside parenthesis) = mm

BSH Hausgeräte GmbH, Carl-Wery-Strasse 34, 81739 Munich, Germany
 Chairman of the Supervisory Board: Dr. Christian Fischer
 Board of Management: Dr. Matthias Metz (Chairman), Dr. Gerhard Dambach, Dr. Alexander Dony, Rudolf Klöttscher, Lars Schubert
 Registered Office: Munich; Registry Court: Amtsgericht München, HRB 75534, WEEE-Reg.-No. DE 57986696

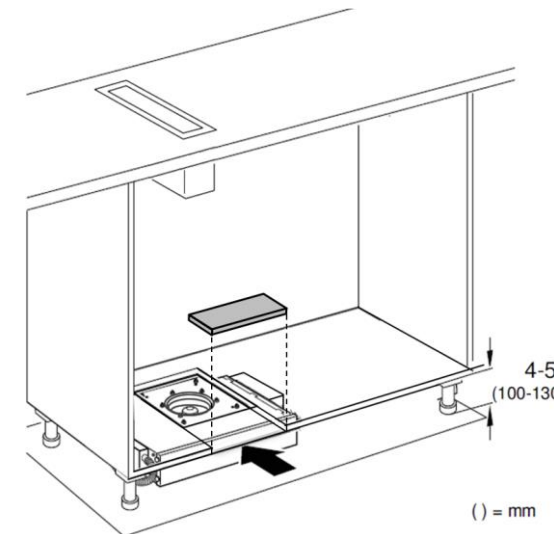
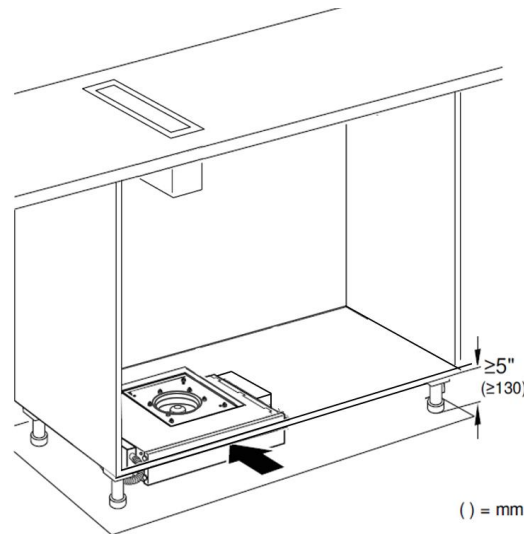
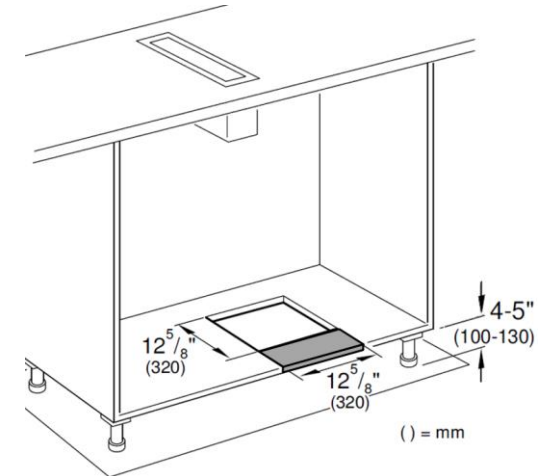
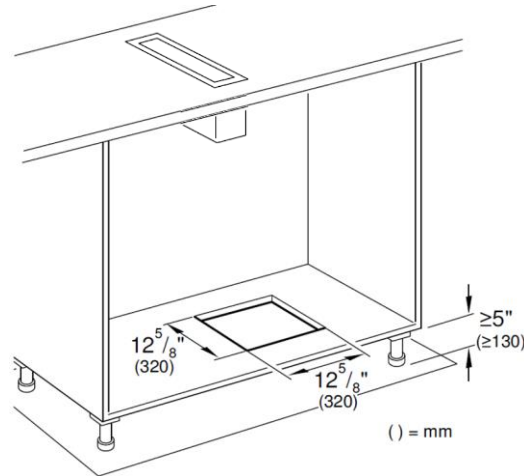
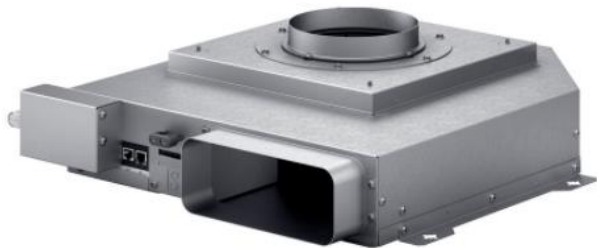
The drawing is provided only as an example. Please pay attention to the technical installation drawings in the Gaggenau Models and Dimensions. The technical drawings are based on the data transferred by the customer and are merely for installation recommendation. The exact installation must be verified by the kitchen studio on an individual customer basis. Please observe all applicable local, state and federal laws when designing, handling and installing the appliance for specific use.

Configuration	VL200120_ 2 Varios_AR403722_Extraction	Min. Work depth	27 9/16" (700 mm)	Ventilation mode	Air extraction
Type reference cooktops	VI 230 620 + VG 232 220CA	Type reference ventilation appliance	VL 200 120	Type reference remote fan unit	AR 403 722

Information about remote fan unit AR 403 722

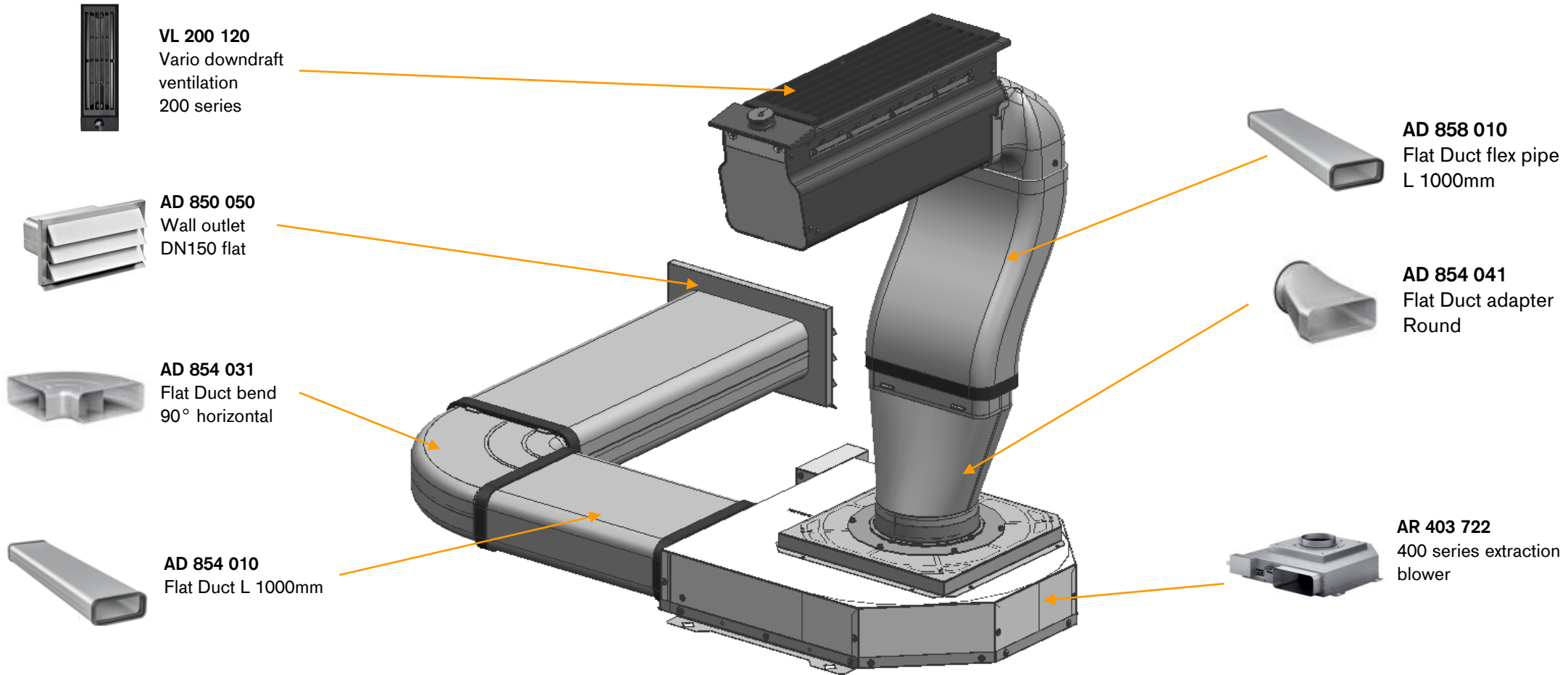


measurements in inches (mm)



Configuration	VL200120_ 2 Varios_AR403722_Extraction	Min. Work depth	27 9/16" (700 mm)	Ventilation mode	Air extraction
Type reference cooktops	VI 230 620 + VG 232 220CA	Type reference ventilation appliance	VL 200 120	Type reference remote fan unit	AR 403 722

Mounting information



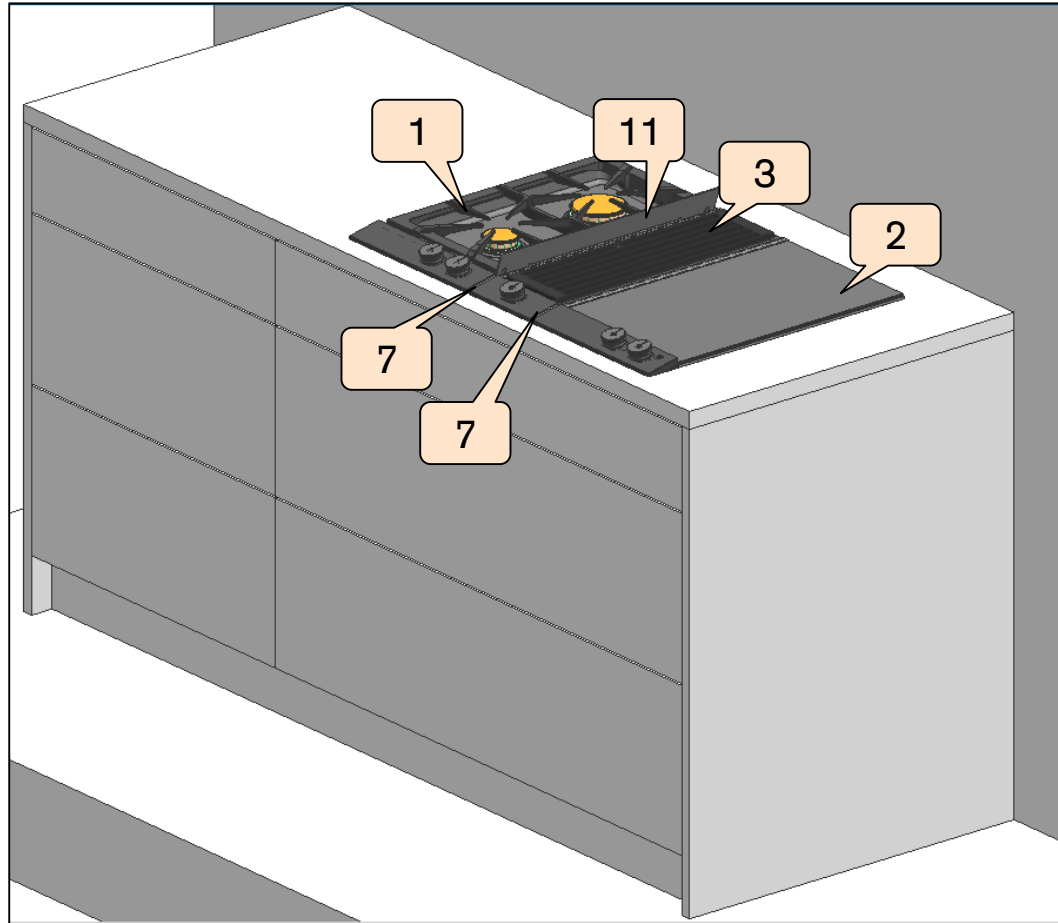
BSH Hausgeräte GmbH, Carl-Wery-Strasse 34, 81739 Munich, Germany
 Chairman of the Supervisory Board: Dr. Christian Fischer
 Board of Management: Dr. Matthias Metz (Chairman), Dr. Gerhard Dambach, Dr. Alexander Dony, Rudolf Klötischer, Lars Schubert
 Registered Office: Munich; Registry Court: Amtsgericht München, HRB 75534, WEEE-Reg.-No. DE 57986696

The drawing is provided only as an example.
 Please pay attention to the technical installation drawings in the Gaggenau Models and Dimensions. The technical drawings are based on the data transferred by the customer and are merely for installation recommendation. The exact installation must be verified by the kitchen studio on an individual customer basis. Please observe all applicable local, state and federal laws when designing, handling and installing the appliance for specific use.

31 May 2024

Configuration	VL200120_ 2 Varios_AR403722_Extraction	Min. Work depth	27 ⁹ / ₁₆ " (700 mm)	Ventilation mode	Air extraction
Type reference cooktops	VI 230 620 + VG 232 220CA	Type reference ventilation appliance	VL 200 120	Type reference remote fan unit	AR 403 722

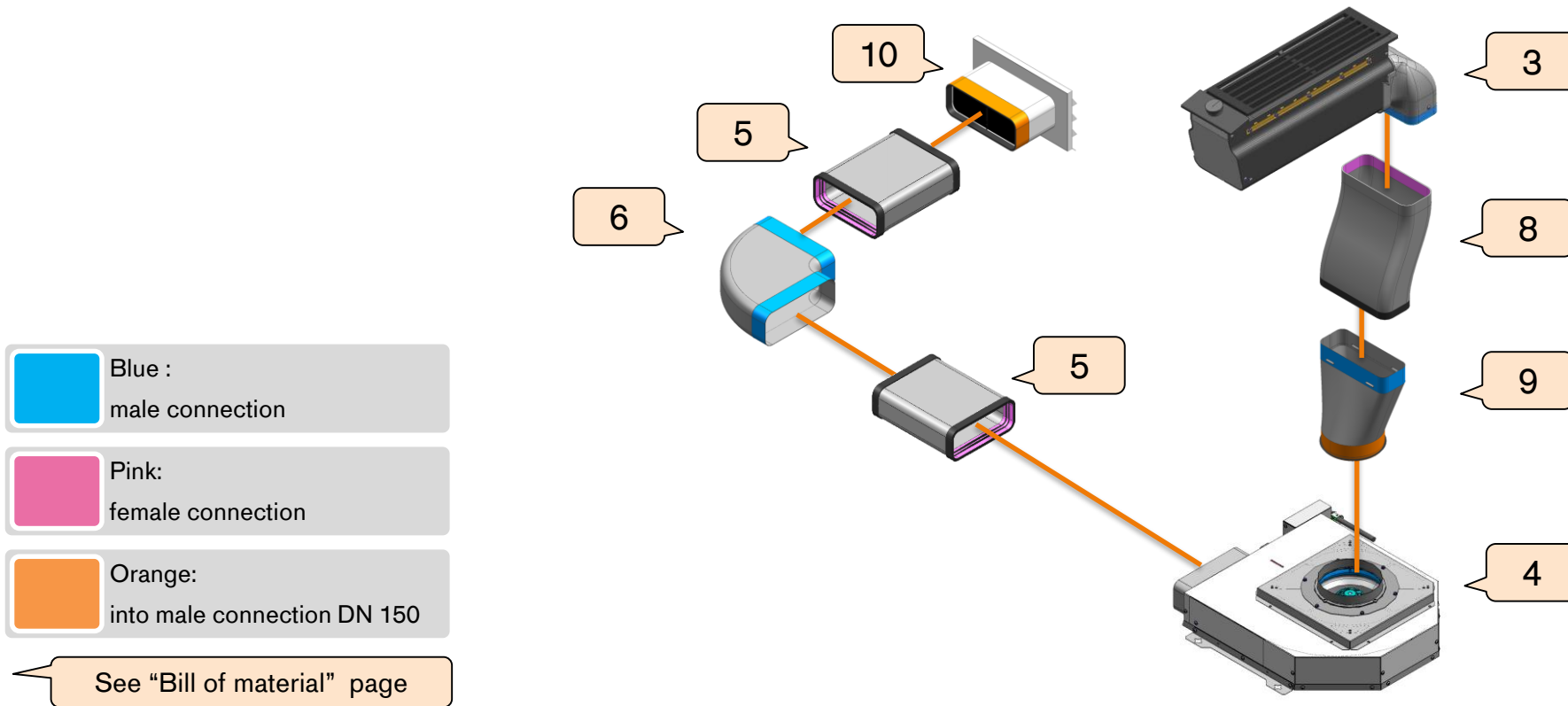
Mounting information



See "Bill of material" page

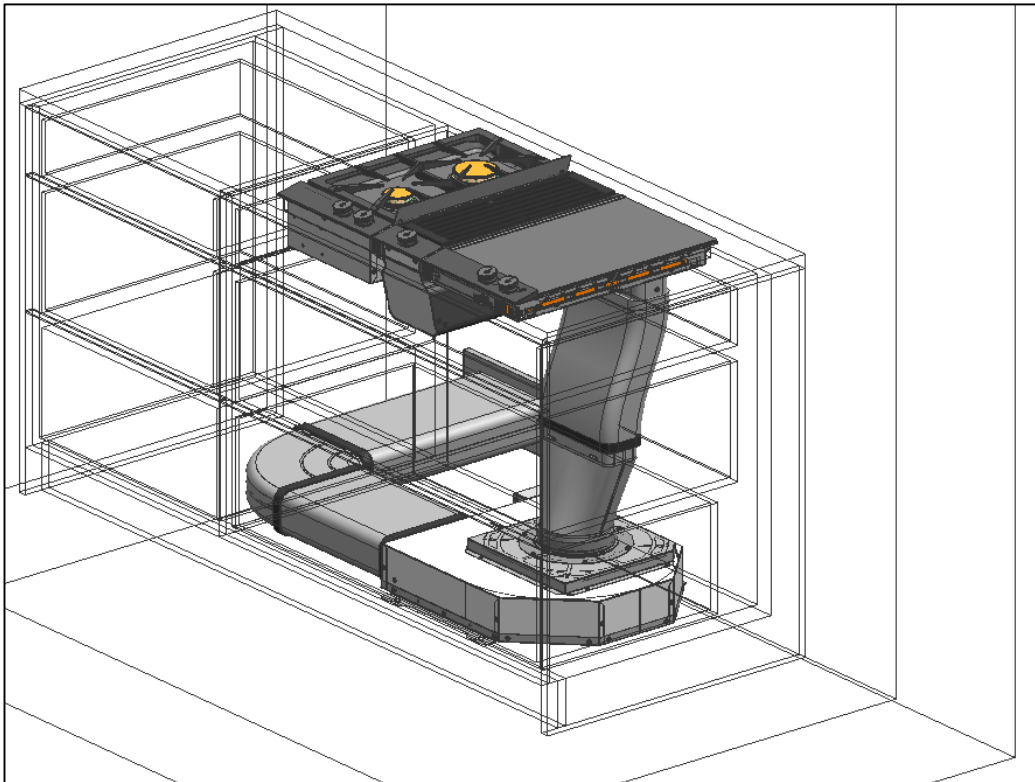
Configuration	VL200120_ 2 Varios_AR403722_Extraction	Min. Work depth	27 ⁹ / ₁₆ " (700 mm)	Ventilation mode	Air extraction
Type reference cooktops	VI 230 620 + VG 232 220CA	Type reference ventilation appliance	VL 200 120	Type reference remote fan unit	AR 403 722

Mounting information



Configuration	VL200120_ 2 Varios_AR403722_Extraction	Min. Work depth	27 ⁹ / ₁₆ " (700 mm)	Ventilation mode	Air extraction
Type reference cooktops	VI 230 620 + VG 232 220CA	Type reference ventilation appliance	VL 200 120	Type reference remote fan unit	AR 403 722

Bill of material



Position	Quantity	Part number	Appliance Design / Accessories Design
1	1	VG 231 220CA	Vario gas cooktop 200 series
2	1	VI 230 620	Vario flex induction cooktop 200 series
3	1	VL 200 120	Vario Downdraft ventilation 200 series
4	1	AR 403 722	200 and 400 series extraction blower
5	2	AD 854 010	Flat Duct L 1000mm
6	1	AD 854 031	Flat Duct bend 90° horizontal
7	2	VV 200 020	Black Connection strip
8	1	AD 858 010	Flat Duct flex pipe L 1000mm
9	1	AD 854 041	Flat Duct adapter Round
10	1	AD 850 050	Wall outlet DN150 flat
11	1	LS 041 001	Air baffle for VL 200 next to gas appliance
12	1	AD 990 091	Adhesive tape for duct components Aluminium

Please check the availability of the products in your country.