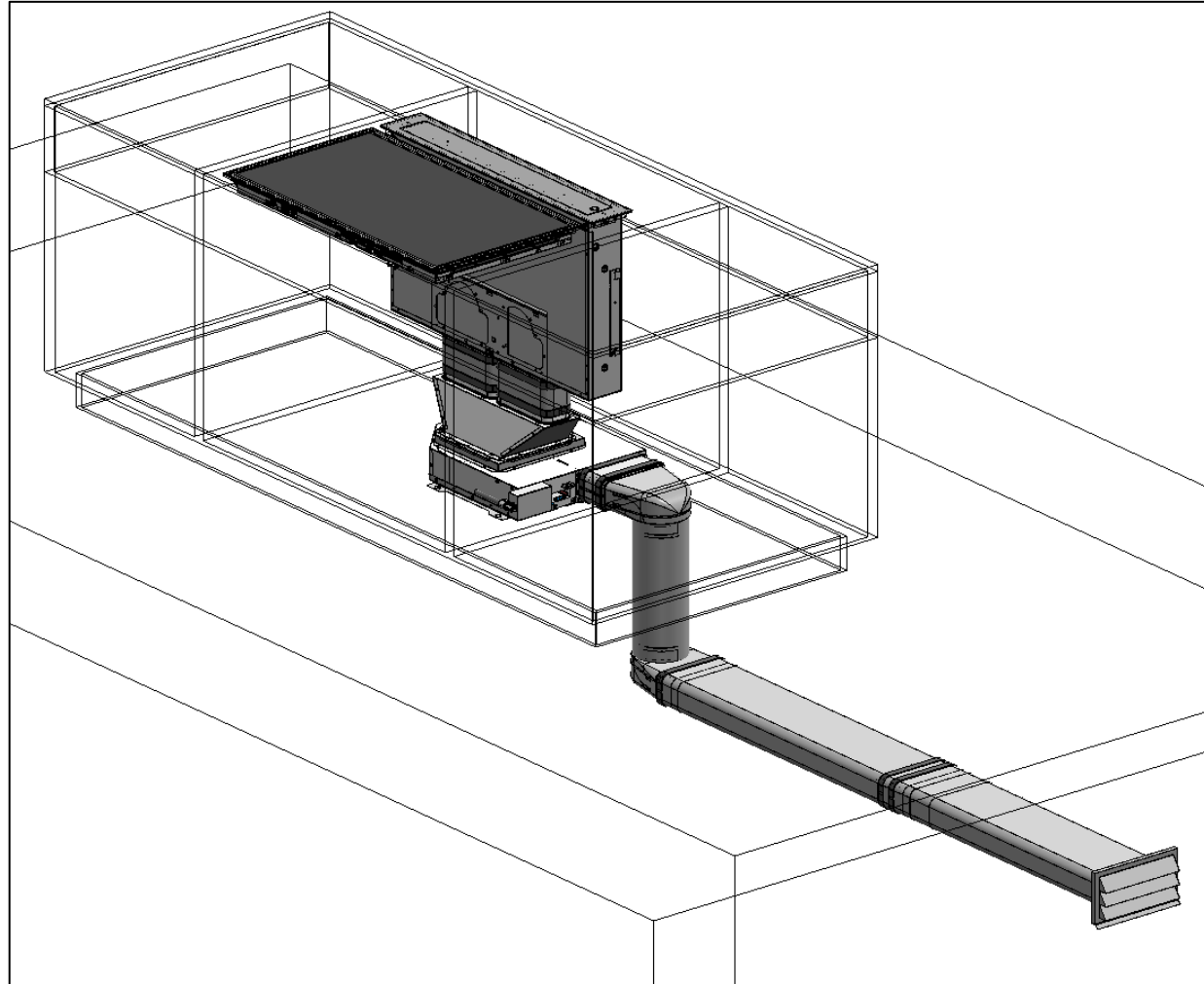


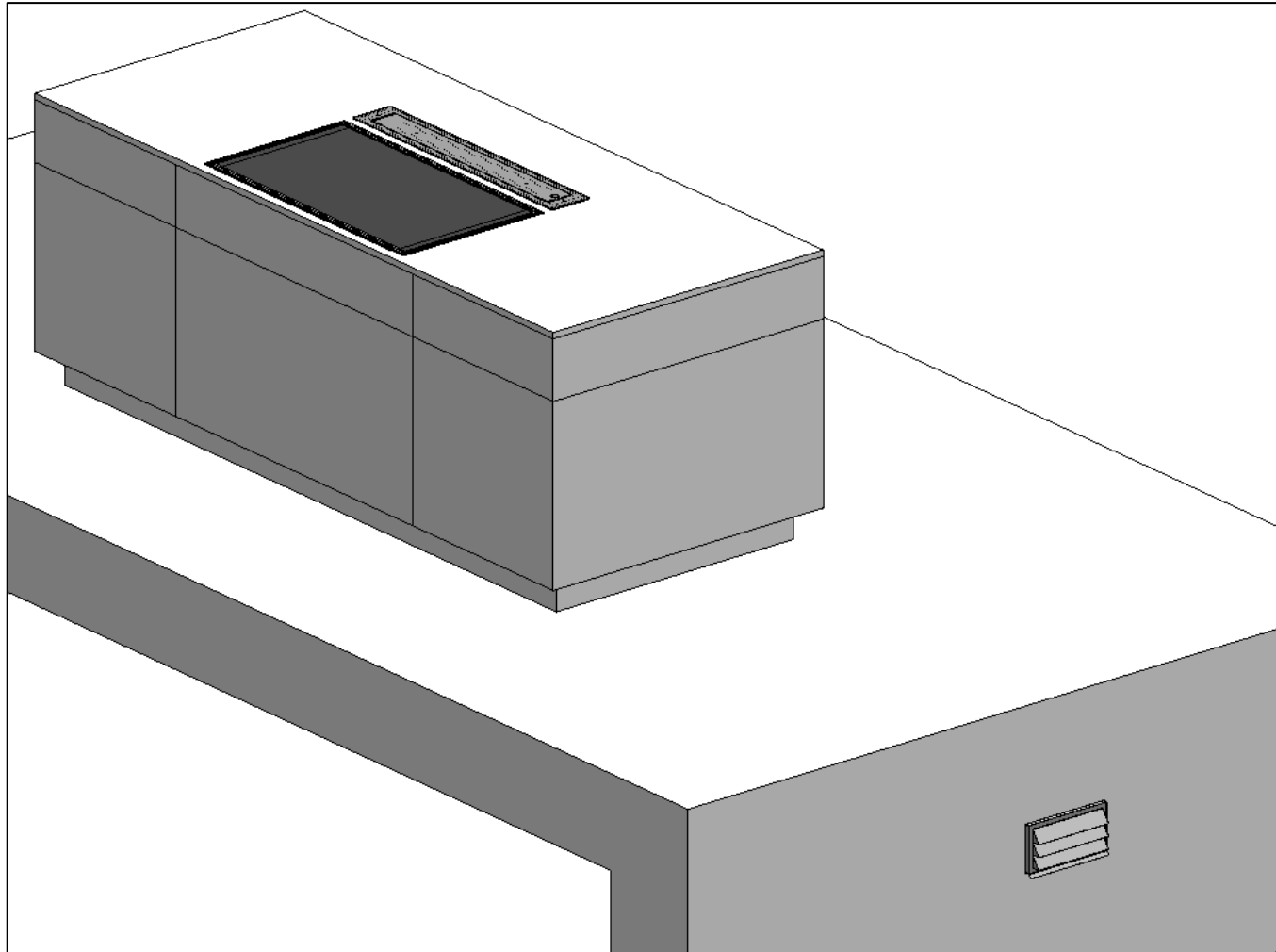
Configuration	AL400792 + AR403722	Min. Work depth	39 3/8" (1000mm)	Ventilation mode	Extraction
Type reference cooktops	CX 492 611	Type reference ventilation appliance	AL 400 792	Type reference remote fan unit	AR 403 722

Installation view



Configuration	AL400792 + AR403722	Min. Work depth	39 3/8" (1000mm)	Ventilation mode	Extraction
Type reference cooktops	CX 492 611	Type reference ventilation appliance	AL 400 792	Type reference remote fan unit	AR 403 722

Installation view

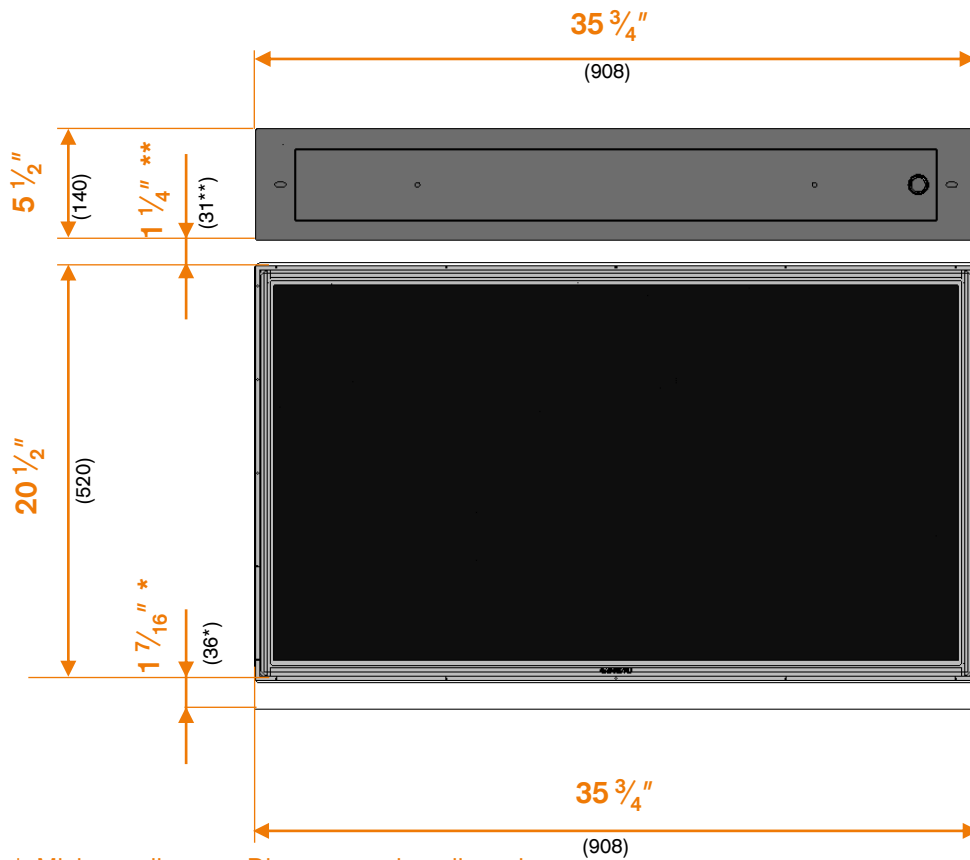


BSH Hausgeräte GmbH
 Carl-Wery-Straße 34
 81739 München, GERMANY
 www.gaggenau.com

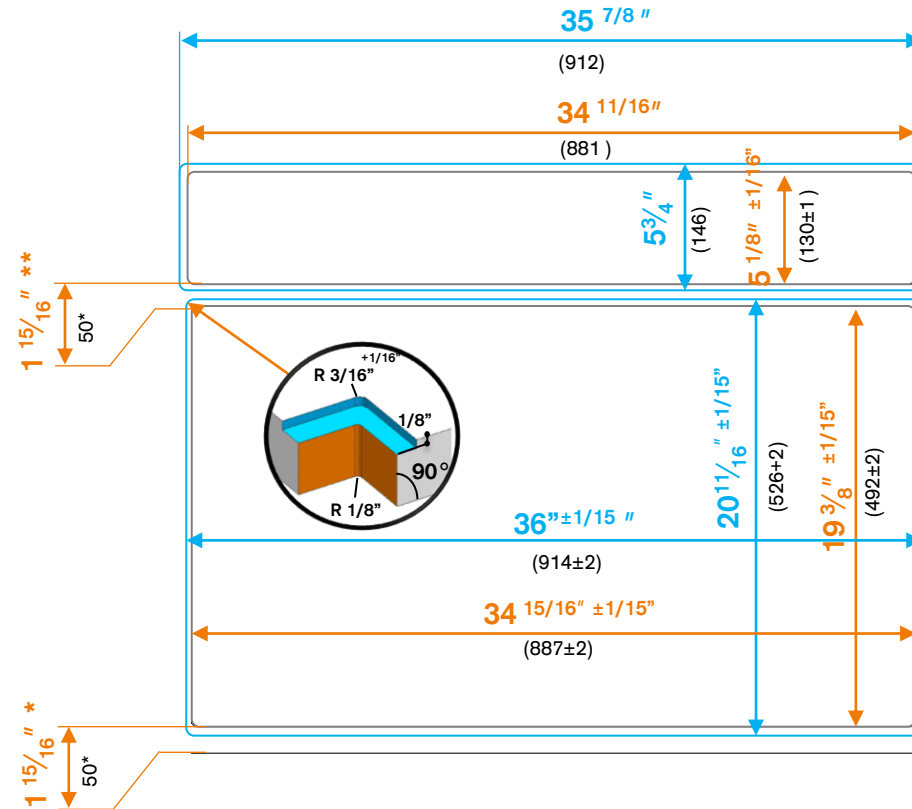
The drawing is provided only as an example.
 Please pay attention to the technical installation drawings in the Gaggenau Models and Dimensions. The technical drawings are based on the data transferred by the customer and are merely for installation recommendation. The exact installation must be verified by the kitchen studio on an individual customer basis. Please observe all applicable local, state and federal laws when designing, handling and installing the appliance for specific use.

Configuration	AL400792 + AR403722	Min. Work depth	39 3/8" (1000mm)	Ventilation mode	Extraction
Type reference cooktops	CX 492 611	Type reference ventilation appliance	AL 400 792	Type reference remote fan unit	AR 403 722

Top view



Cut out dimension. Flush mounting

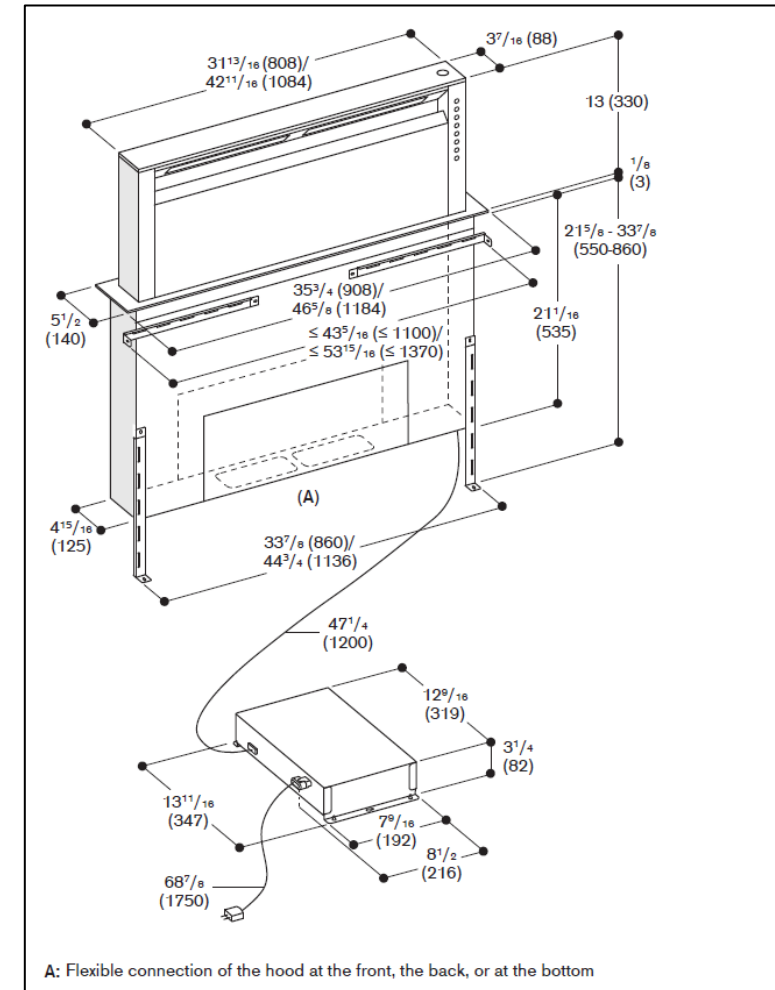
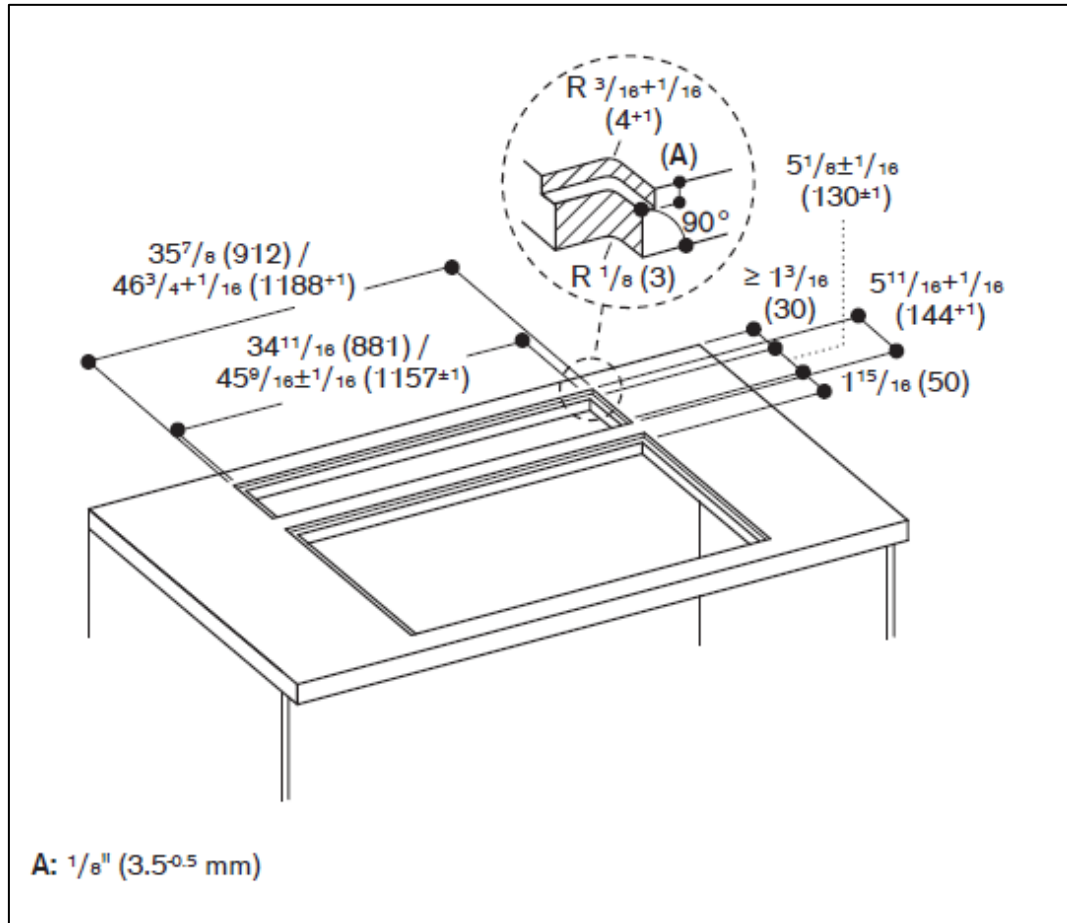


*: Minimum distance. Distance can be adjusted

** : Recommended distance.
(inside parenthesis) = mm

Configuration	AL400792 + AR403722	Min. Work depth	39 3/8" (1000mm)	Ventilation mode	Extraction
Type reference cooktops	CX 492 611	Type reference ventilation appliance	AL 400 792	Type reference remote fan unit	AR 403 722

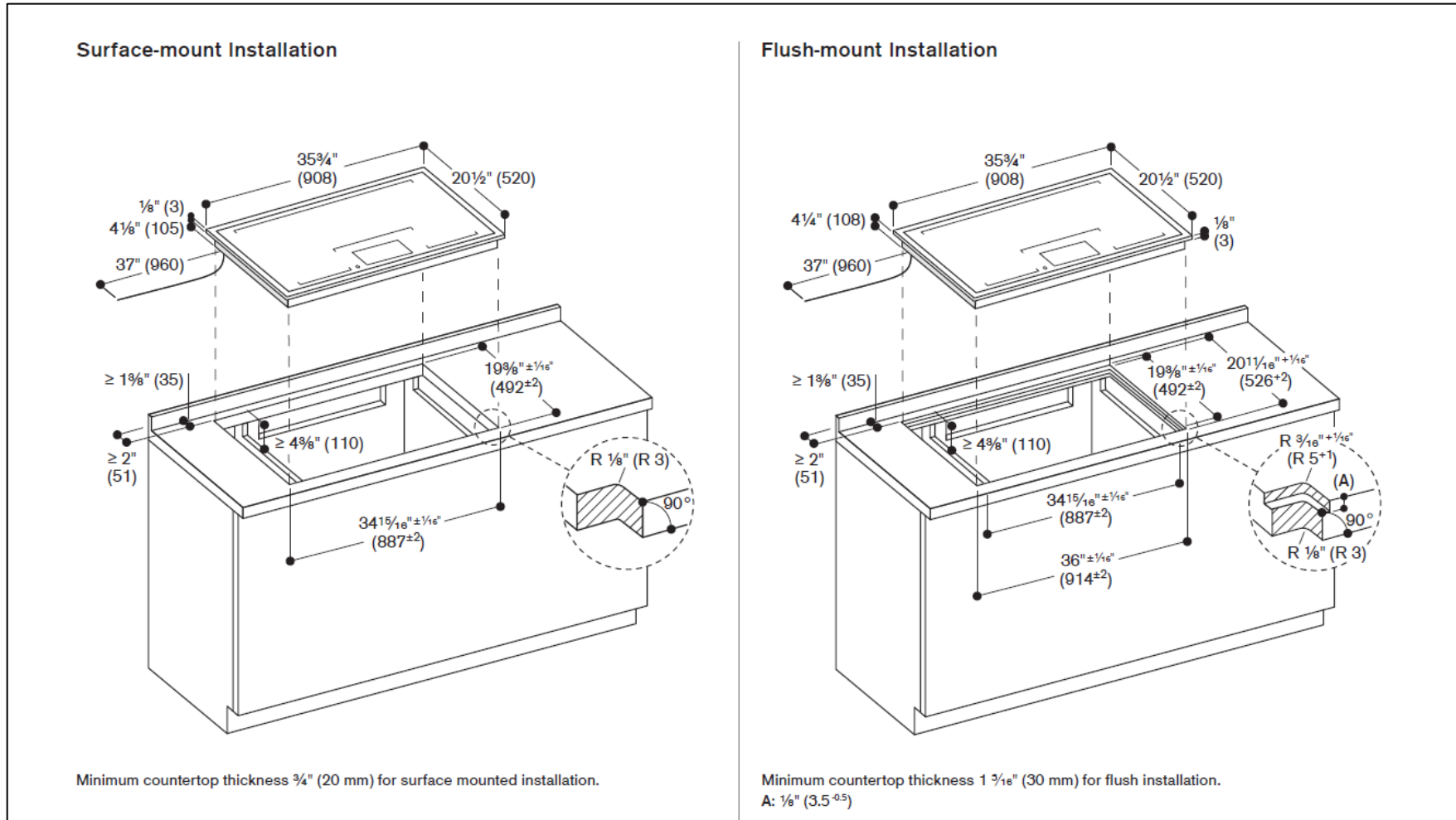
Top view



(inside parenthesis) = mm

Configuration	AL400792 + AR403722	Min. Work depth	39 3/8" (1000mm)	Ventilation mode	Extraction
Type reference cooktops	CX 492 611	Type reference ventilation appliance	AL 400 792	Type reference remote fan unit	AR 403 722

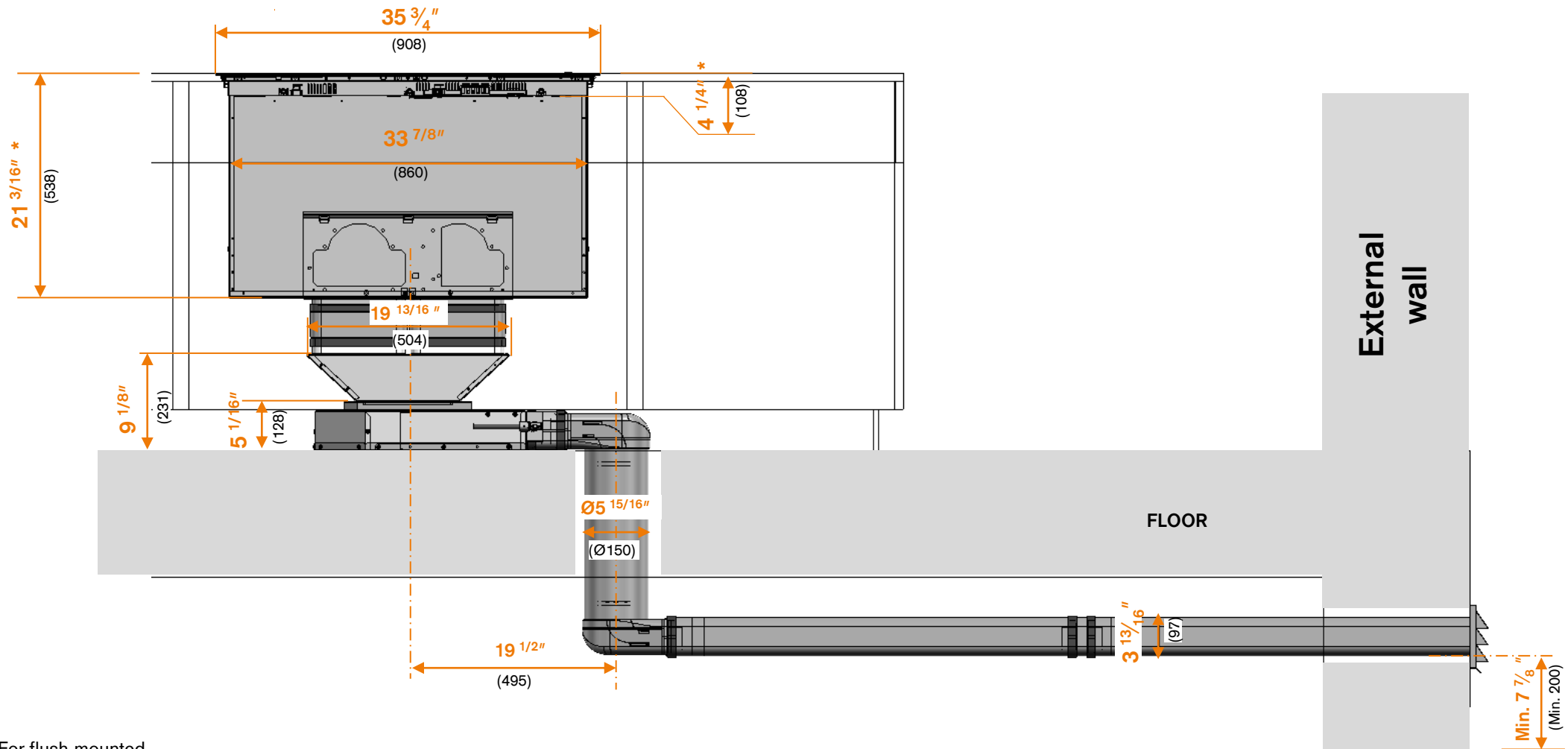
Information about cooktop CX 492 611



(inside parenthesis) = mm

Configuration	AL400792 + AR403722	Min. Work depth	39 3/8" (1000mm)	Ventilation mode	Extraction
Type reference cooktops	CX 492 611	Type reference ventilation appliance	AL 400 792	Type reference remote fan unit	AR 403 722

View from the front



* : For flush mounted

(inside parenthesis) = mm



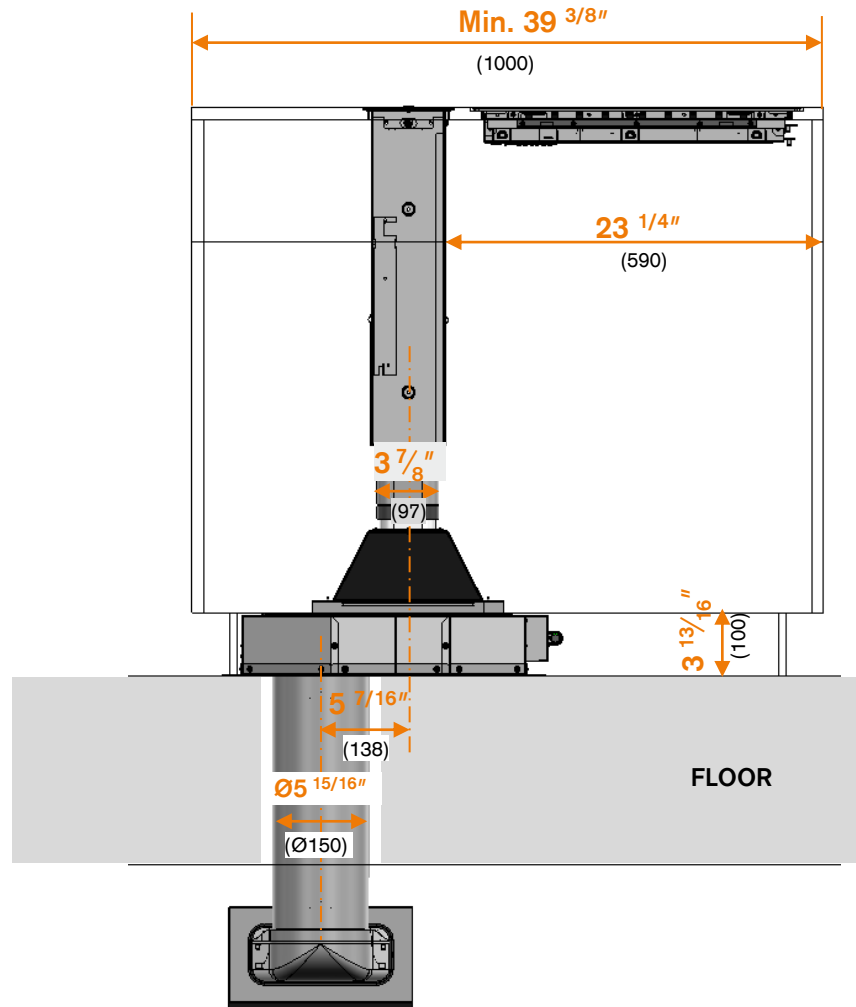
BSH Hausgeräte GmbH
 Carl-Wery-Straße 34
 81739 München, GERMANY
 www.gaggenau.com

The drawing is provided only as an example. Please pay attention to the technical installation drawings in the Gaggenau Models and Dimensions. The technical drawings are based on the data transferred by the customer and are merely for installation recommendation. The exact installation must be verified by the kitchen studio on an individual customer basis. Please observe all applicable local, state and federal laws when designing, handling and installing the appliance for specific use.

10 December 2024

Configuration	AL400792 + AR403722	Min. Work depth	39 3/8" (1000mm)	Ventilation mode	Extraction
Type reference cooktops	CX 492 611	Type reference ventilation appliance	AL 400 792	Type reference remote fan unit	AR 403 722

View from the left



Dimension in mm

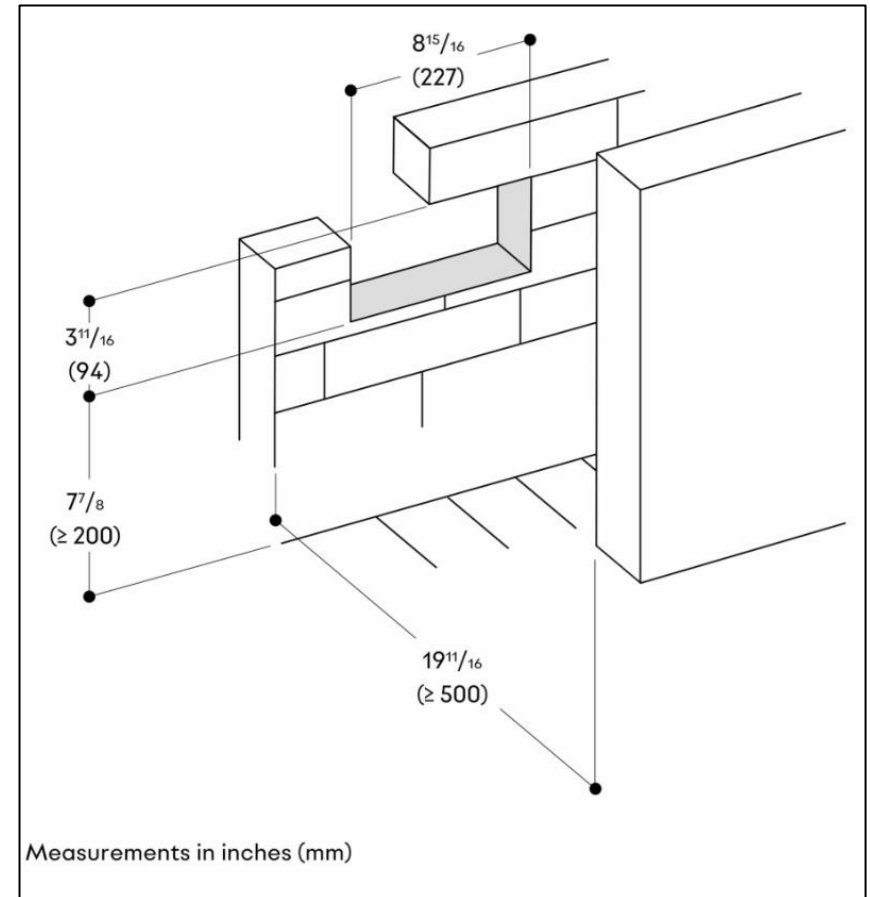
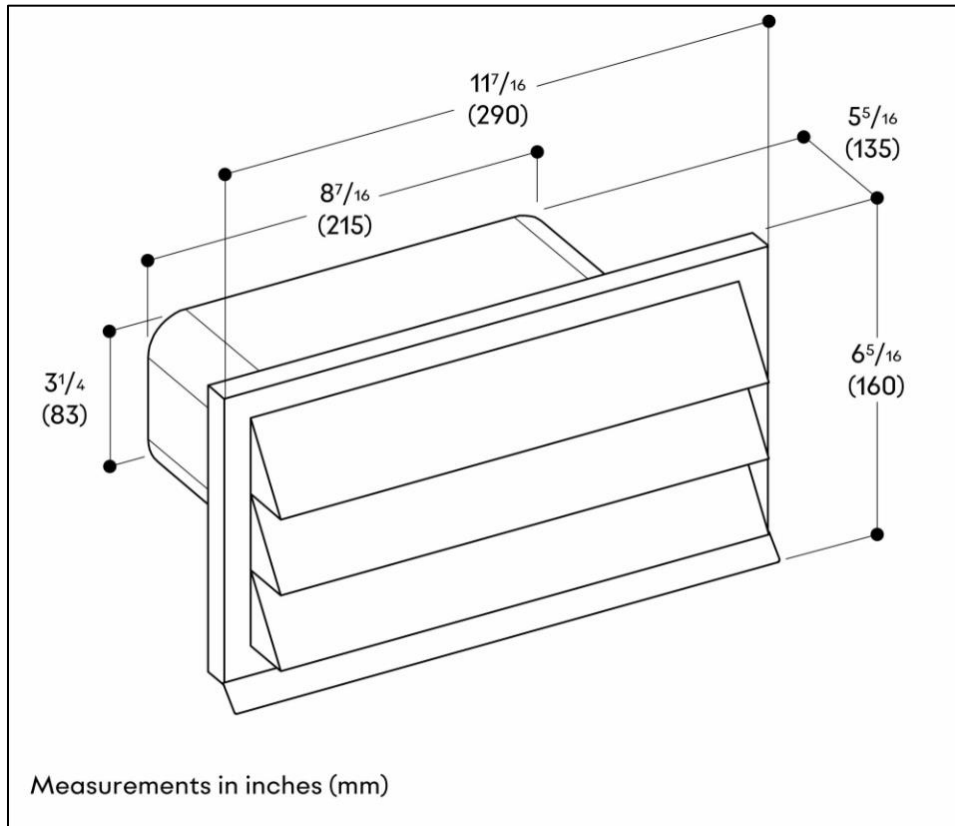
GAGGENAU

BSH Hausgeräte GmbH
 Carl-Wery-Straße 34
 81739 München, GERMANY
 www.gaggenau.com

The drawing is provided only as an example. Please pay attention to the technical installation drawings in the Gaggenau Models and Dimensions. The technical drawings are based on the data transferred by the customer and are merely for installation recommendation. The exact installation must be verified by the kitchen studio on an individual customer basis. Please observe all applicable local, state and federal laws when designing, handling and installing the appliance for specific use.

Configuration	AL400792 + AR403722	Min. Work depth	39 3/8" (1000mm)	Ventilation mode	Extraction
Type reference cooktops	CX 492 611	Type reference ventilation appliance	AL 400 792	Type reference remote fan unit	AR 403 722

Information about the wall outlet AD 850 050



Dimension in mm

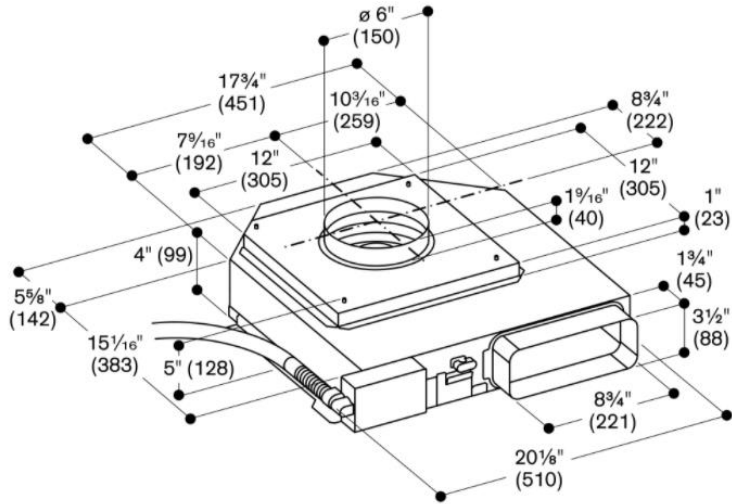


BSH Hausgeräte GmbH
 Carl-Wery-Straße 34
 81739 München, GERMANY
 www.gaggenau.com

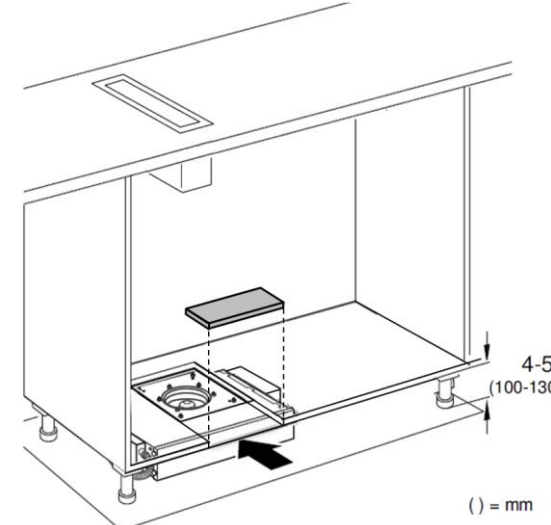
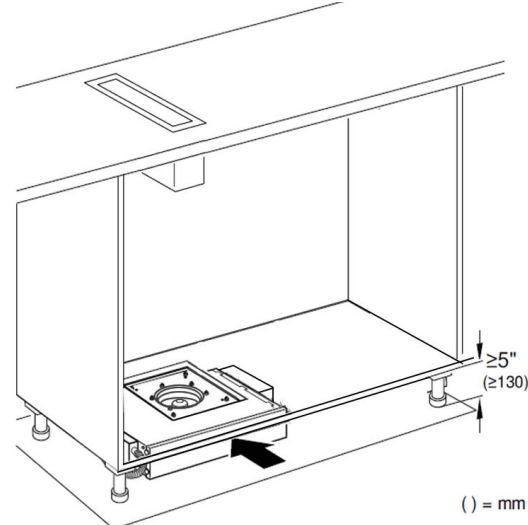
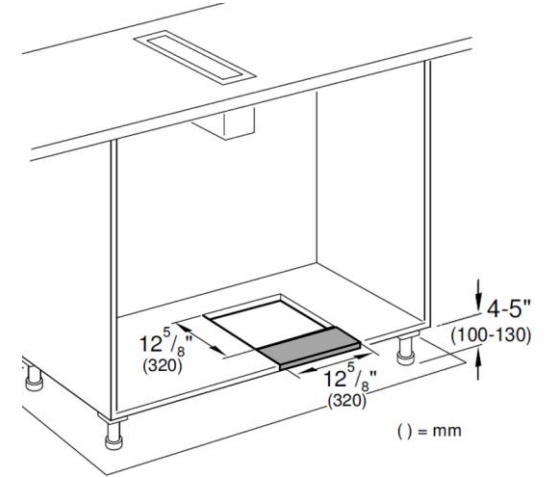
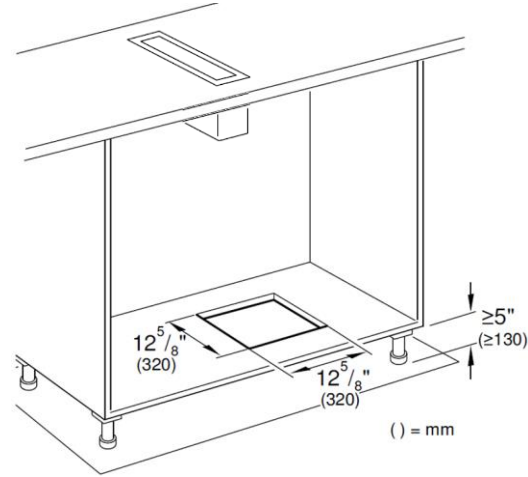
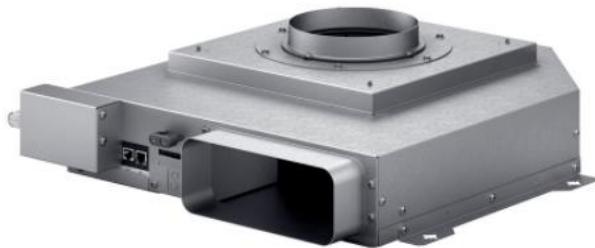
The drawing is provided only as an example. Please pay attention to the technical installation drawings in the Gaggenau Models and Dimensions. The technical drawings are based on the data transferred by the customer and are merely for installation recommendation. The exact installation must be verified by the kitchen studio on an individual customer basis. Please observe all applicable local, state and federal laws when designing, handling and installing the appliance for specific use.

Configuration	AL400792 + AR403722	Min. Work depth	39 3/8" (1000mm)	Ventilation mode	Extraction
Type reference cooktops	CX 492 611	Type reference ventilation appliance	AL 400 792	Type reference remote fan unit	AR 403 722

Information about remote fan unit AR 403 722



measurements in inches (mm)



Dimension in mm



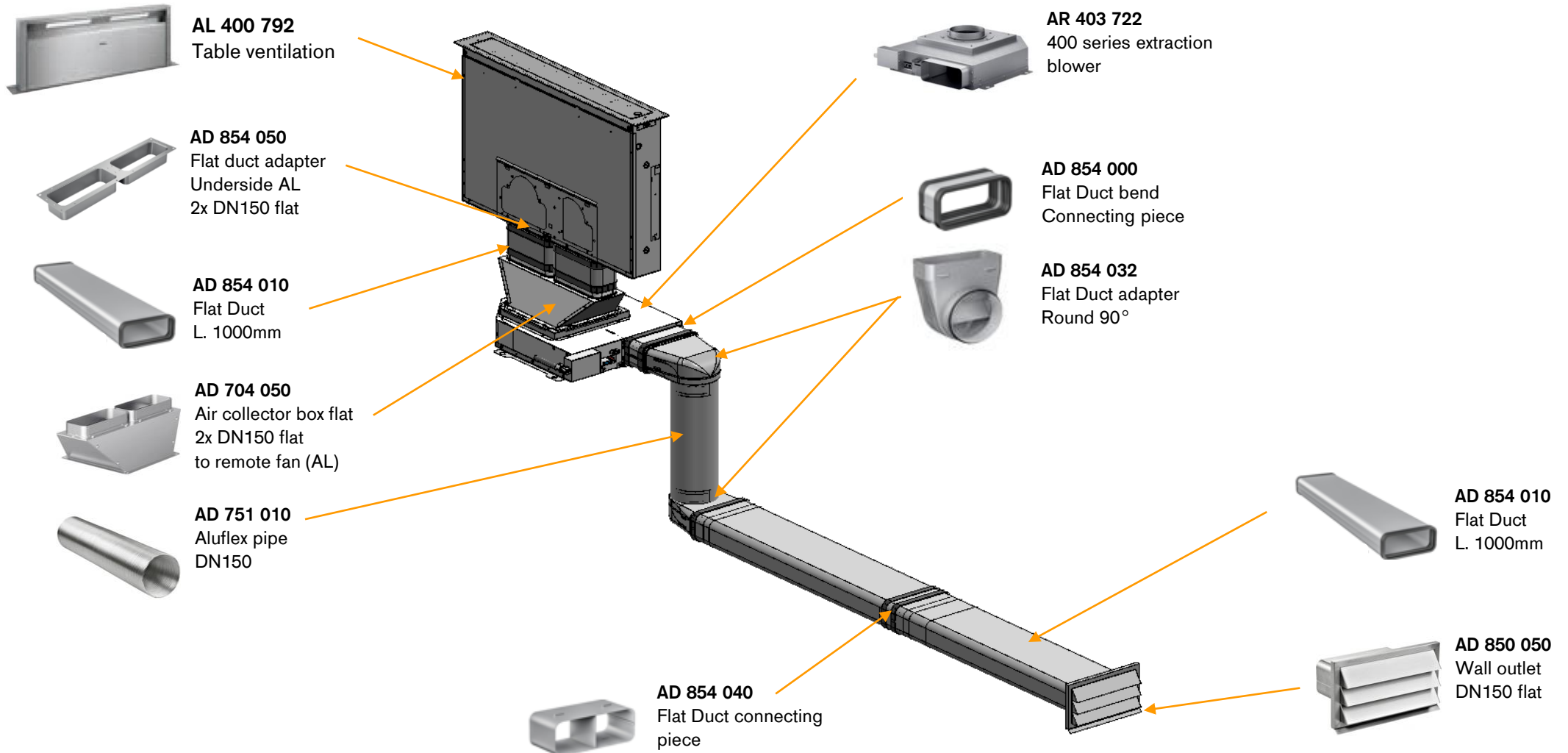
BSH Hausgeräte GmbH
 Carl-Wery-Straße 34
 81739 München, GERMANY
 www.gaggenau.com

The drawing is provided only as an example.

Please pay attention to the technical installation drawings in the Gaggenau Models and Dimensions. The technical drawings are based on the data transferred by the customer and are merely for installation recommendation. The exact installation must be verified by the kitchen studio on an individual customer basis. Please observe all applicable local, state and federal laws when designing, handling and installing the appliance for specific use.

10 December 2024

Configuration	AL400792 + AR403722	Min. Work depth	39 3/8" (1000mm)	Ventilation mode	Extraction
Type reference cooktops	CX 492 611	Type reference ventilation appliance	AL 400 792	Type reference remote fan unit	AR 403 722

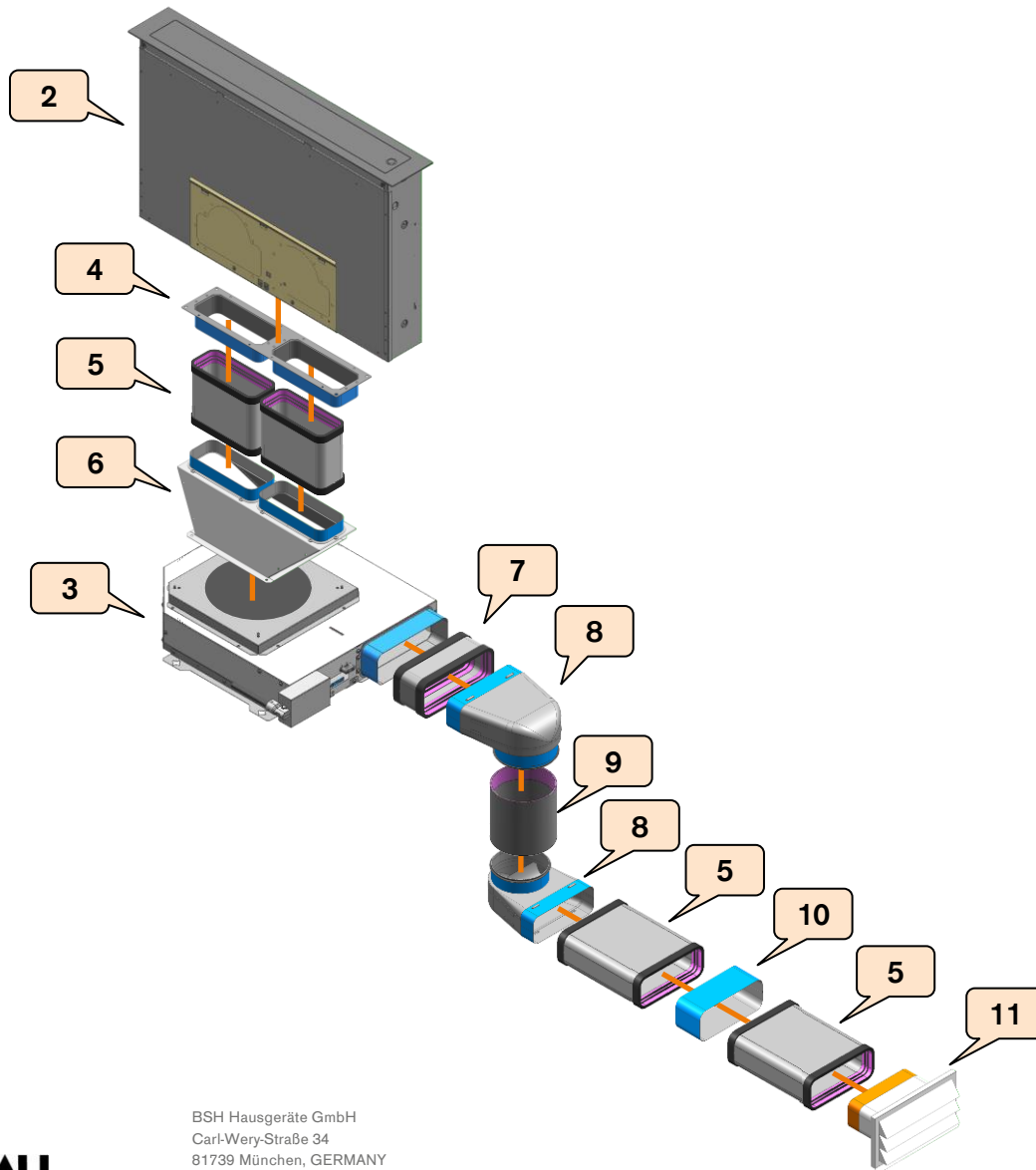


BSH Hausgeräte GmbH
Carl-Wery-Straße 34
81739 München, GERMANY
www.gaggenau.com

The drawing is provided only as an example.
Please pay attention to the technical installation drawings in the Gaggenau Models and Dimensions. The technical drawings are based on the data transferred by the customer and are merely for installation recommendation. The exact installation must be verified by the kitchen studio on an individual customer basis. Please observe all applicable local, state and federal laws when designing, handling and installing the appliance for specific use.

10 December 2024

Configuration	AL400792 + AR403722	Min. Work depth	39 3/8" (1000mm)	Ventilation mode	Extraction
Type reference cooktops	CX 492 611	Type reference ventilation appliance	AL 400 792	Type reference remote fan unit	AR 403 722



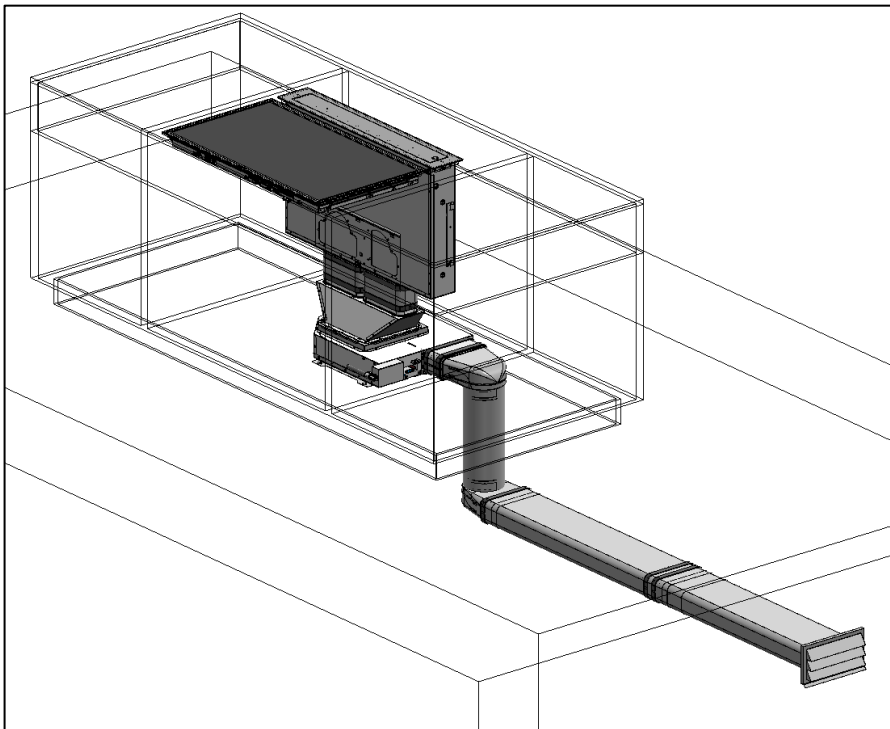
See "Bill of material" page

- Blue : male connection
- Pink: female connection
- Orange: into male connection DN 150

10 December 2024

Configuration	AL400792 + AR403722	Min. Work depth	39 3/8" (1000mm)	Ventilation mode	Extraction
Type reference cooktops	CX 492 611	Type reference ventilation appliance	AL 400 792	Type reference remote fan unit	AR 403 722

Bill of material



Position	Quantity	Part number	Appliance Design / Accessories Design
1	1	CX 492 611	Vario 400 series full surface induction cooktop
2	1	AL 400 792	Table ventilation
3	1	AR 403 722	Remote fan unit
4	1	AD 854 050	Flat duct adapter Underside AL 2x DN150 flat
5	4	AD 854 010	Flat duct. Length. 39 3/16" (1000mm)
6	1	AD 704 050	Air collector box flat 2x DN150 flat to remote fan (AL)
7	1	AD 854 000	Flat Duct bend Connecting piece
8	2	AD 854 032	Flat Duct adapter Round 90°
9	1	AD 751 010	Aluflex pipe DN150
10	1	AD 854 040	Flat Duct connecting piece
11	1	AD 850 050	Wall outlet DN150 flat
12	1	AA 409 401	Furniture support
13	1	AD 990 091	Aluminium Adhesive tape (10m)