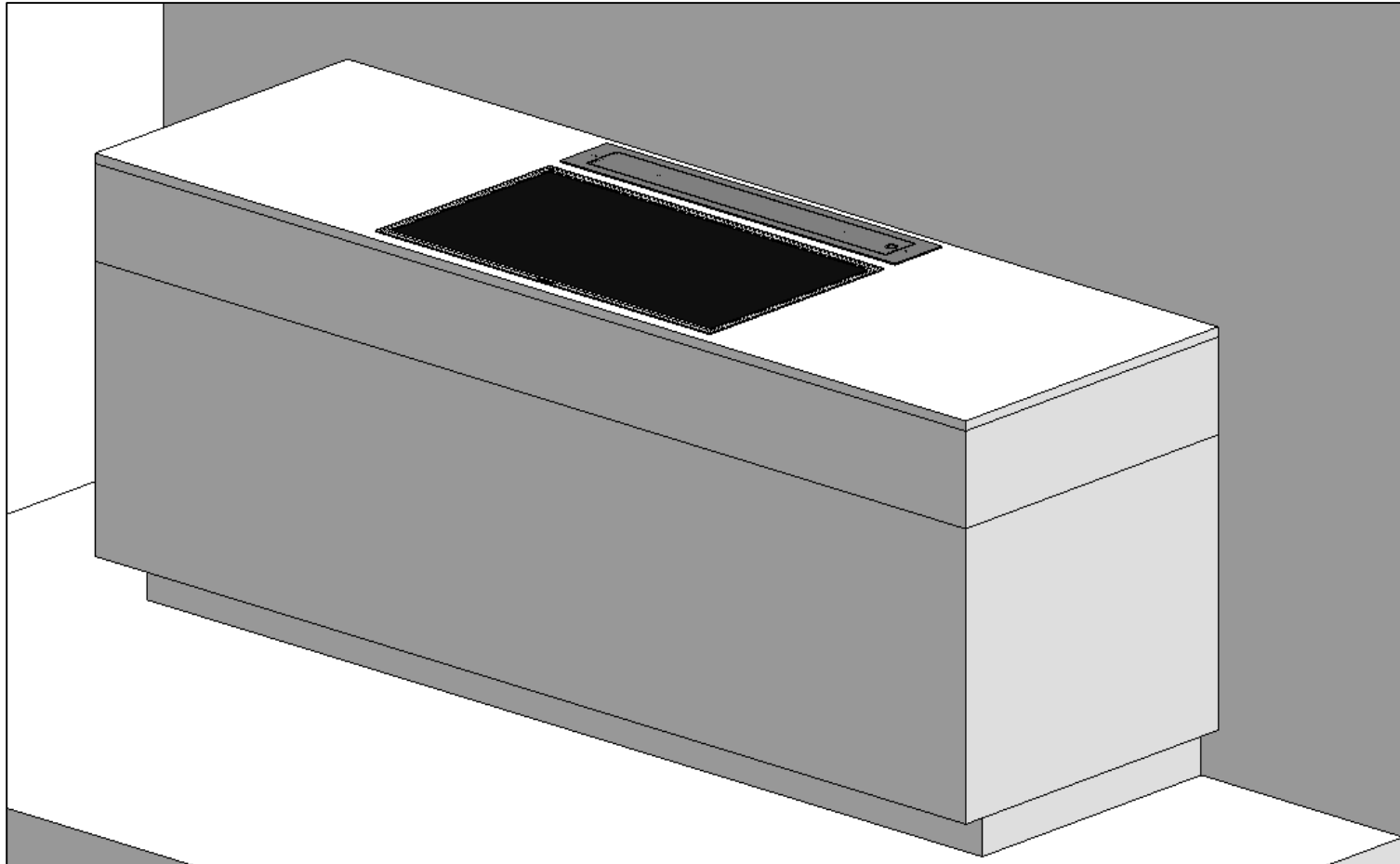


20. April 2023

Configuration	AL400792 + AR403722 Front	Min. Work depth	29 <sup>5</sup> / <sub>8</sub> " (752mm)	Ventilation mode	Extraction
Type reference cooktops	CX 492 611	Type reference ventilation appliance	AL 400 792	Type reference remote fan unit	AR 403 722

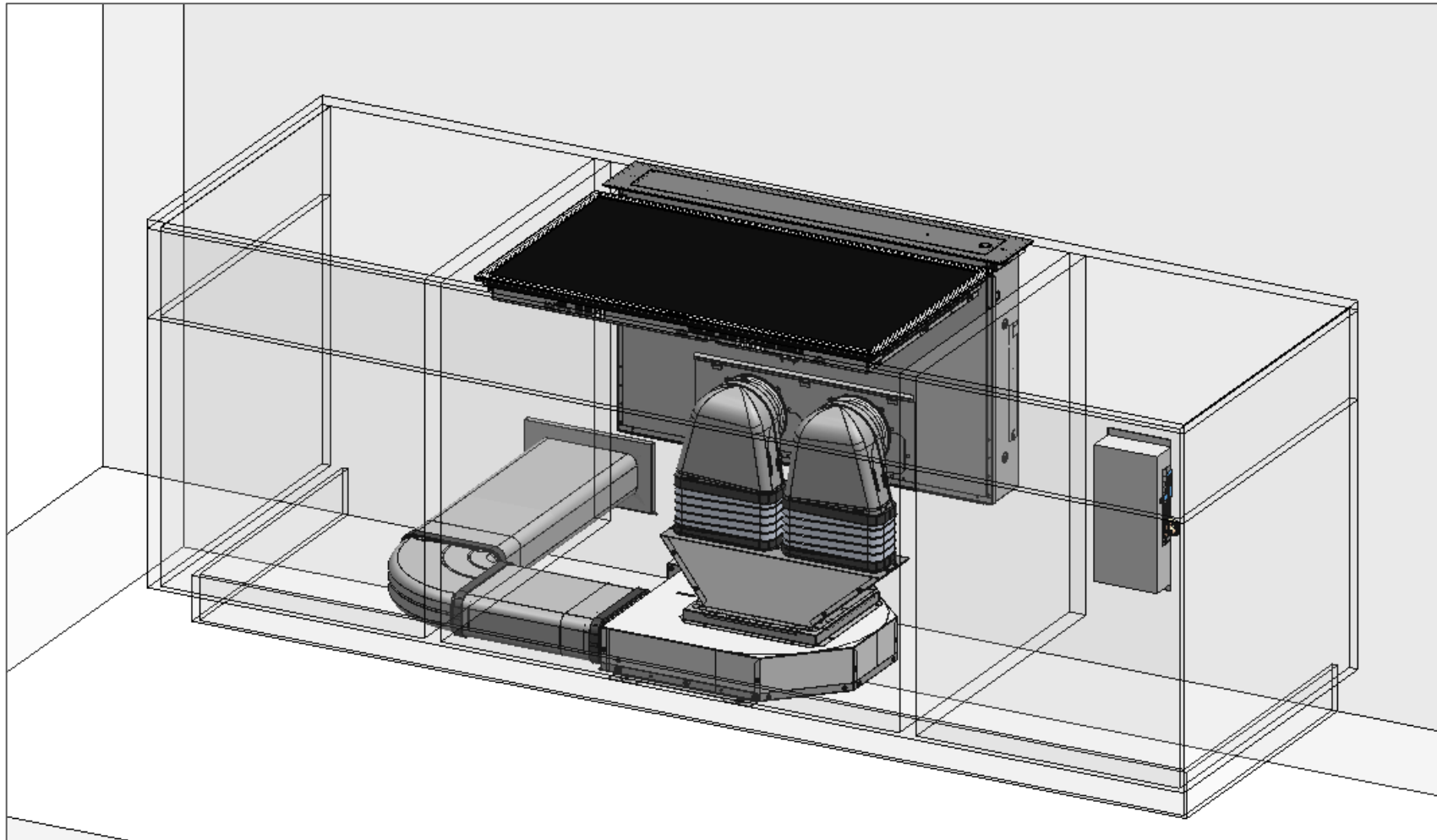


BSH Hausgeräte GmbH, Carl-Wery-Straße 34, 81739 Munich, Germany  
 Chairman of the Supervisory : Prof. Dr. Stefan Asenkerschbaumer  
 Directors : Dr. Gerhard Dambach (Chairman), Matthias Ginthum, Lars Schubert  
 Registered Office : Munich; Registry Court : Amtsgericht München, HRB 75534 WEEE-Reg.-Nr. DE 57986696

The drawing is provided only as an example.  
 Please pay attention to the technical installation drawings in the Gaggenau Models and Dimensions. The technical drawings are not based on customer data and are merely for installation recommendation. The exact installation must be verified by the kitchen studio on an individual customer basis.

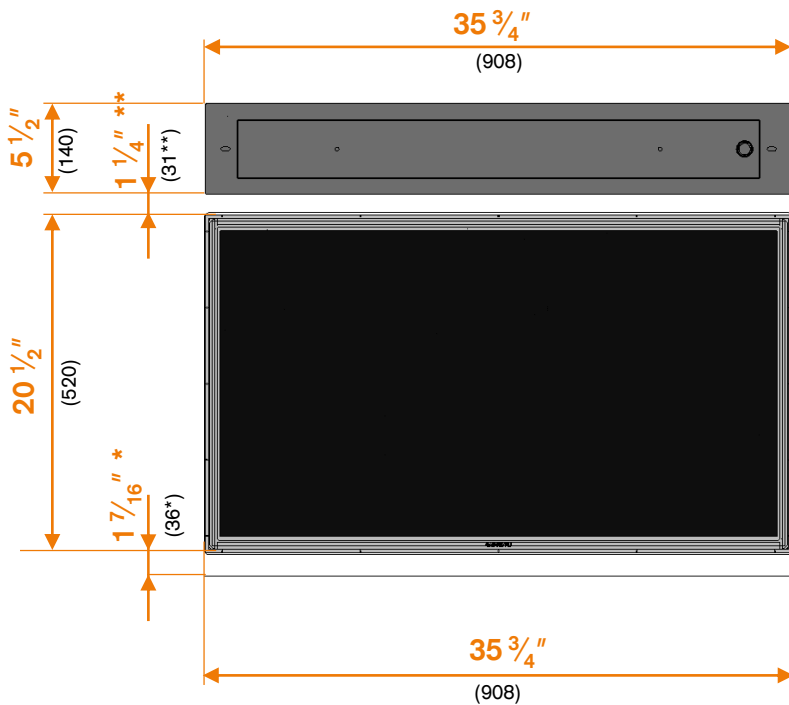
Configuration	AL400792 + AR403722 Front	Min. Work depth	29 5/8" (752mm)	Ventilation mode	Extraction
Type reference cooktops	CX 492 611	Type reference ventilation appliance	AL 400 792	Type reference remote fan unit	AR 403 722

## Installation view

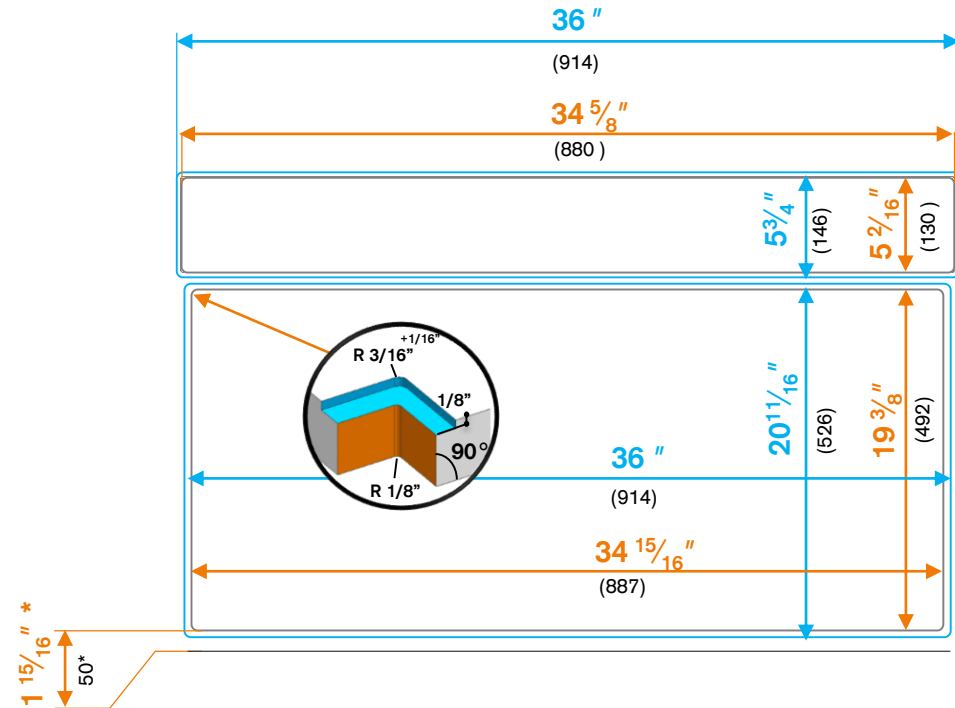


Configuration	AL400792 + AR403722 Front	Min. Work depth	29 5/8" (752mm)	Ventilation mode	Extraction
Type reference cooktops	CX 492 611	Type reference ventilation appliance	AL 400 792	Type reference remote fan unit	AR 403 722

## Top view



## Cut out dimension. Flush mounting



\*: Minimum distance. Distance can be adjusted

\*\* : Recommended distance.

(inside parenthesis) = mm

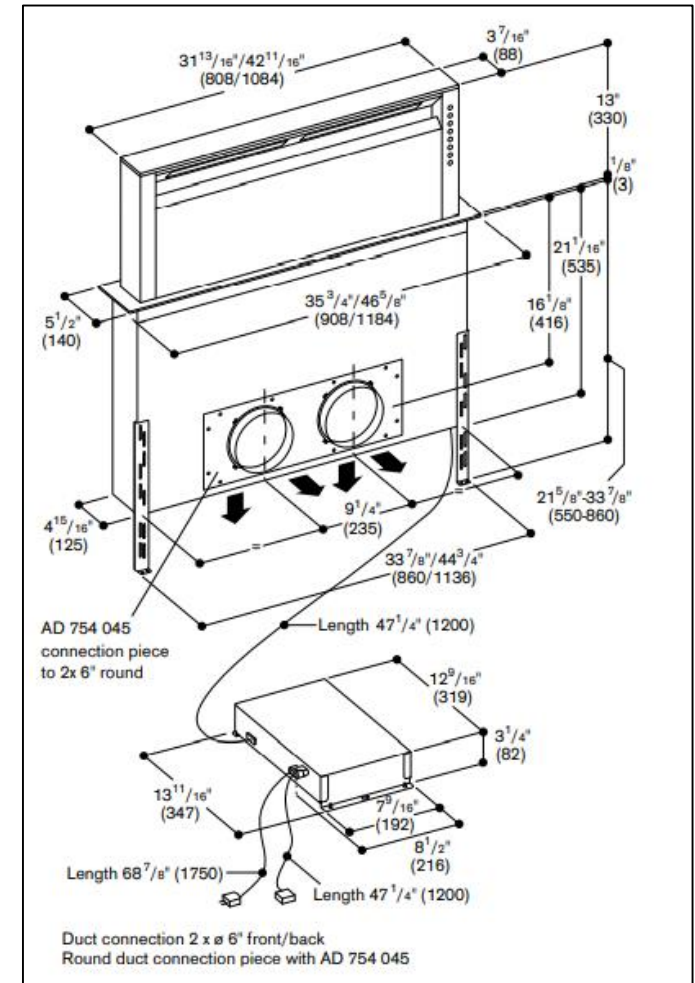
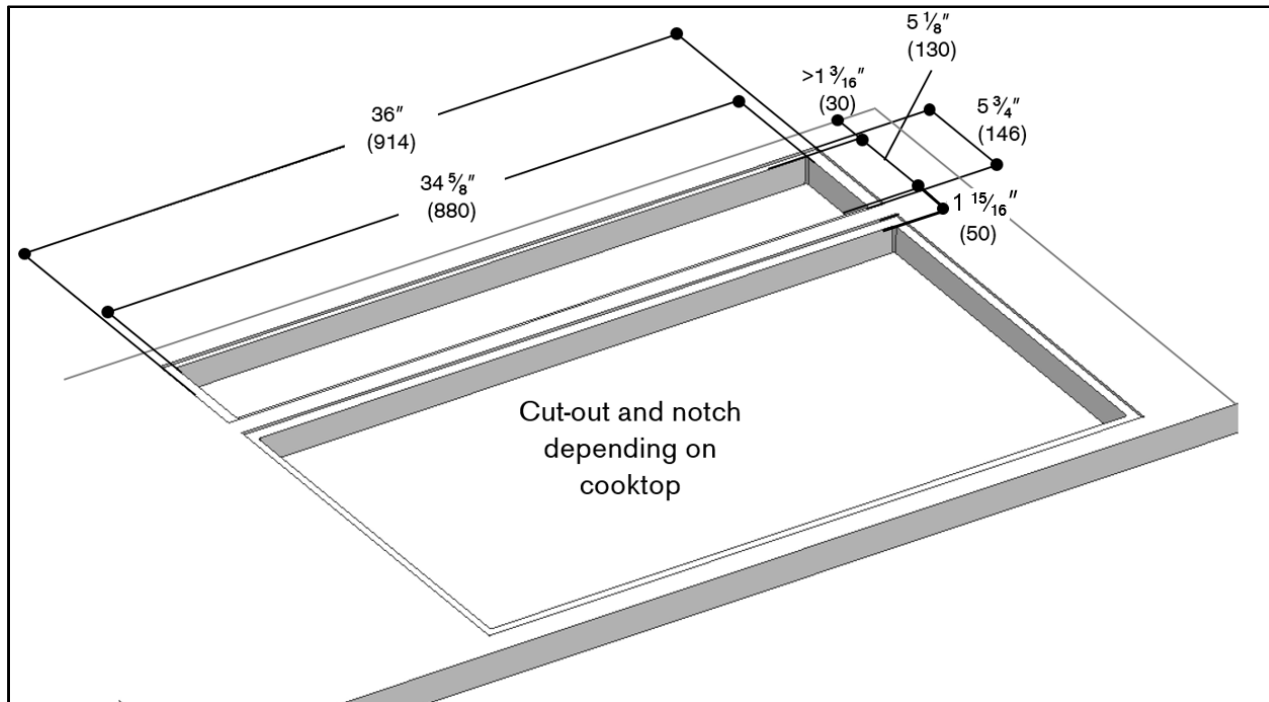
**GAGGENAU**

BSH Hausgeräte GmbH, Carl-Wery-Straße 34, 81739 Munich, Germany  
 Chairman of the Supervisory : Prof. Dr. Stefan Asenkerschbaumer  
 Directors : Dr. Gerhard Dambach (Chairman), Matthias Ginthum, Lars Schubert  
 Registered Office : Munich; Registry Court : Amtsgericht München, HRB 75534 WEEE-Reg.-Nr. DE 57986696

The drawing is provided only as an example. Please pay attention to the technical installation drawings in the Gaggenau Models and Dimensions. The technical drawings are not based on customer data and are merely for installation recommendation. The exact installation must be verified by the kitchen studio on an individual customer basis.

Configuration	AL400792 + AR403722 Front	Min. Work depth	29 5/8" (752mm)	Ventilation mode	Extraction
Type reference cooktops	CX 492 611	Type reference ventilation appliance	AL 400 792	Type reference remote fan unit	AR 403 722

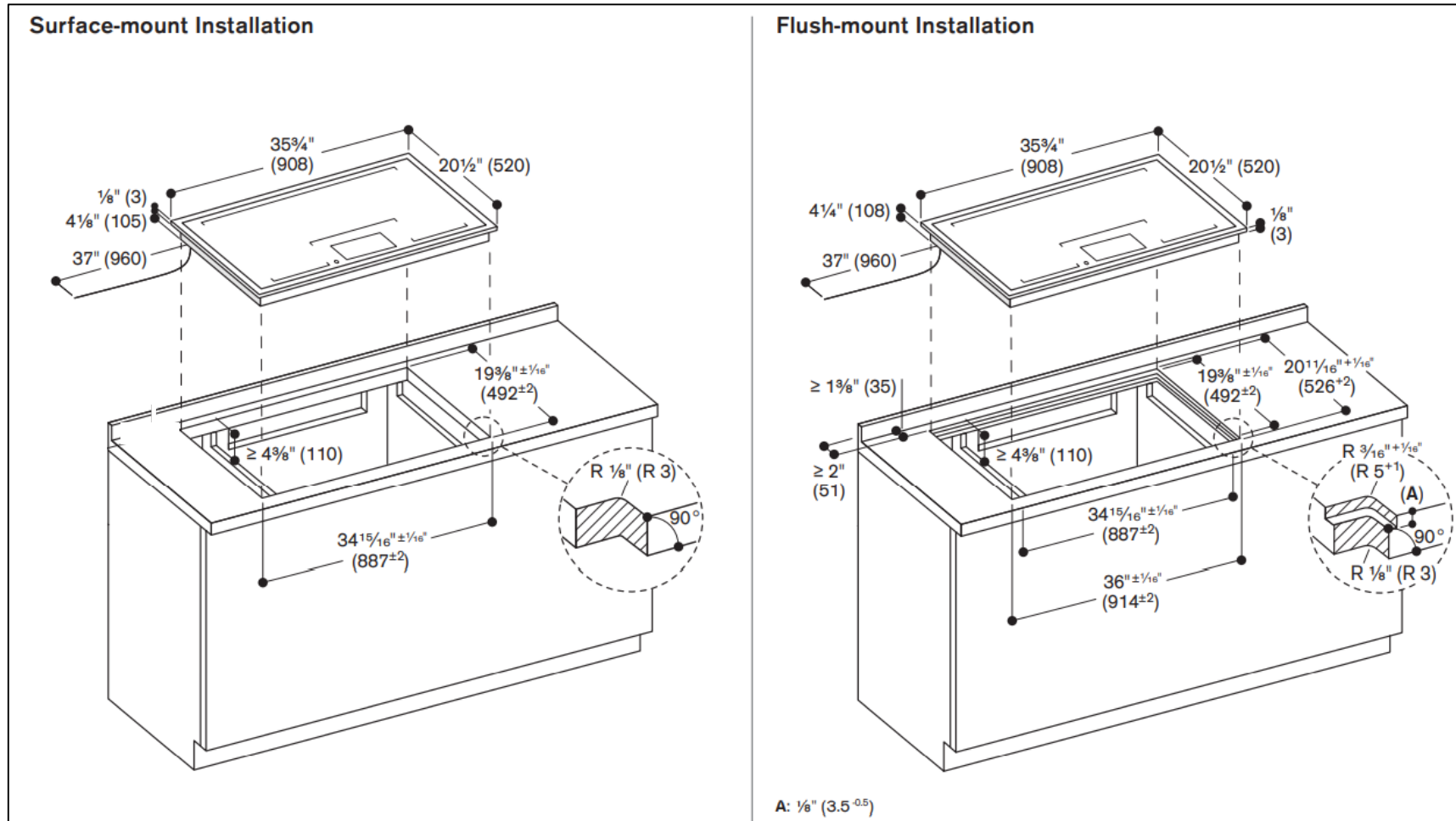
## Top view



(inside parenthesis) = mm

Configuration	AL400792 + AR403722 Front	Min. Work depth	29 <sup>5</sup> / <sub>8</sub> " (752mm)	Ventilation mode	Extraction
Type reference cooktops	CX 492 611	Type reference ventilation appliance	AL 400 792	Type reference remote fan unit	AR 403 722

Information about cooktop CX 492 611

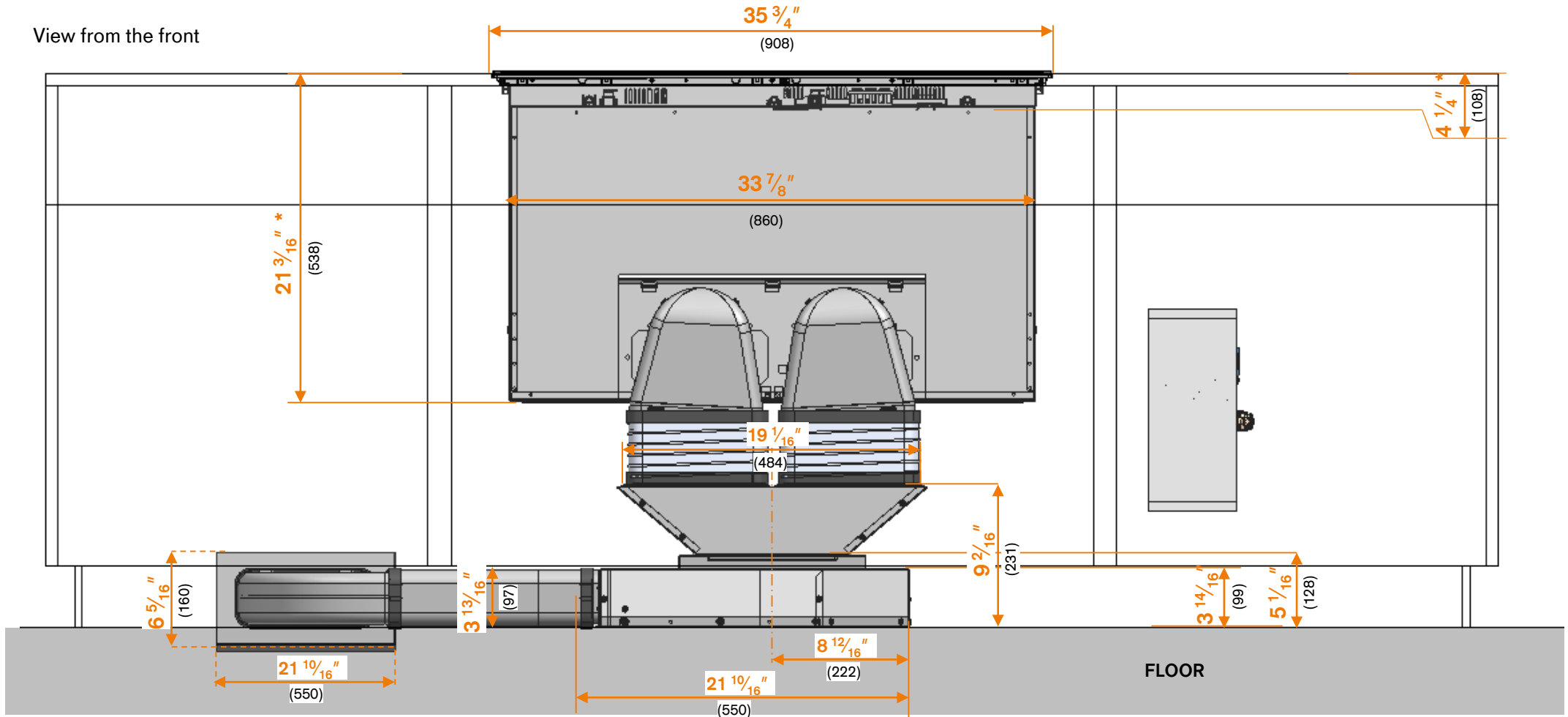


(inside parenthesis) = mm

20. April 2023

Configuration	AL400792 + AR403722 Front	Min. Work depth	29 5/8" (752mm)	Ventilation mode	Extraction
Type reference cooktops	CX 492 611	Type reference ventilation appliance	AL 400 792	Type reference remote fan unit	AR 403 722

View from the front



\* : For flush mounted  
(inside parenthesis) = mm

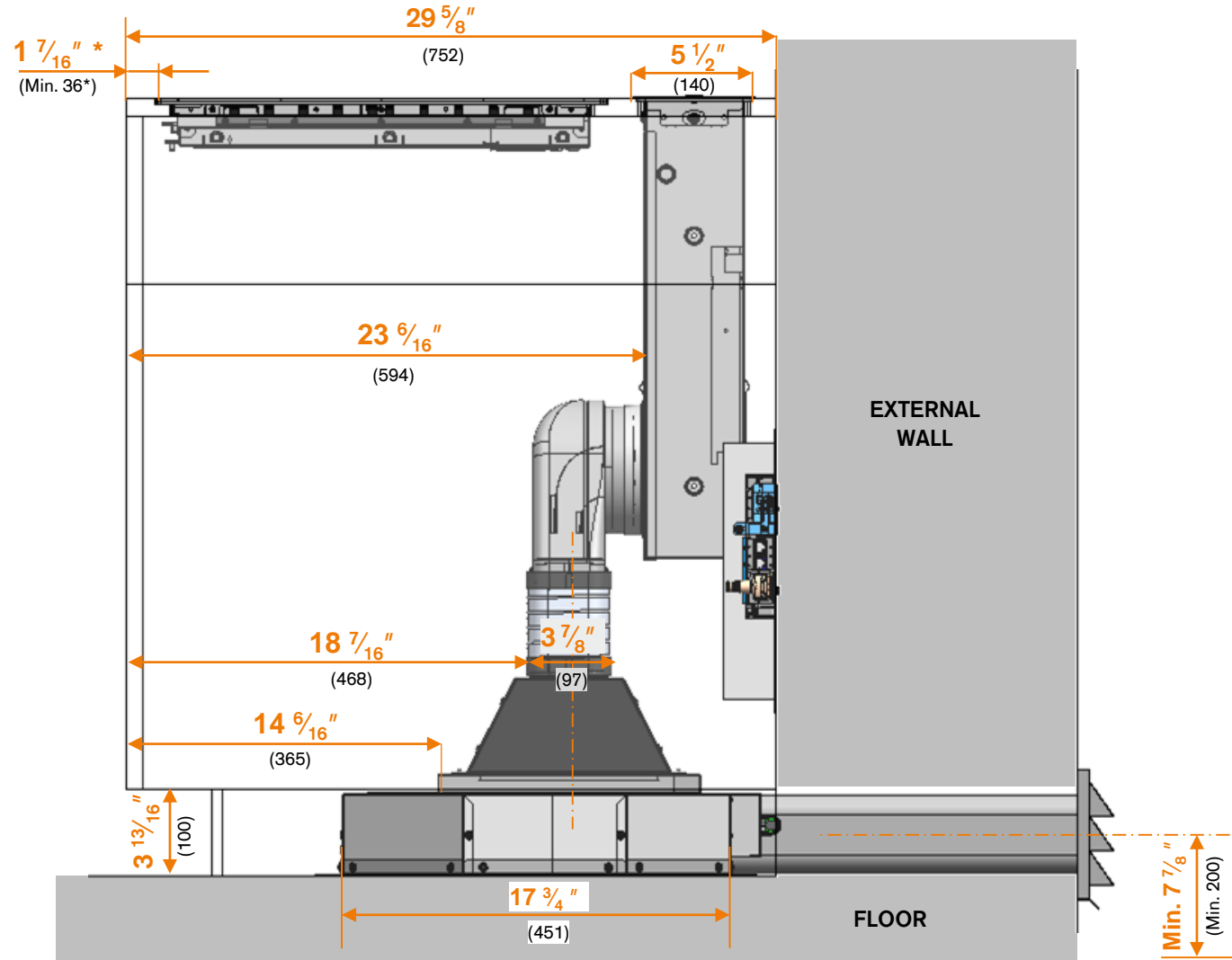
**GAGGENAU**

BSH Hausgeräte GmbH, Carl-Wery-Straße 34, 81739 Munich, Germany  
 Chairman of the Supervisory : Prof. Dr. Stefan Asenkerschbaumer  
 Directors : Dr. Gerhard Dambach (Chairman), Matthias Ginthum, Lars Schubert  
 Registered Office : Munich; Registry Court : Amtsgericht München, HRB 75534 WEEE-Reg.-Nr. DE 57986696

The drawing is provided only as an example.  
 Please pay attention to the technical installation drawings in the Gaggenau Models and Dimensions. The technical drawings are not based on customer data and are merely for installation recommendation. The exact installation must be verified by the kitchen studio on an individual customer basis.

Configuration	AL400792 + AR403722 Front	Min. Work depth	29 5/8" (752mm)	Ventilation mode	Extraction
Type reference cooktops	CX 492 611	Type reference ventilation appliance	AL 400 792	Type reference remote fan unit	AR 403 722

View from the right

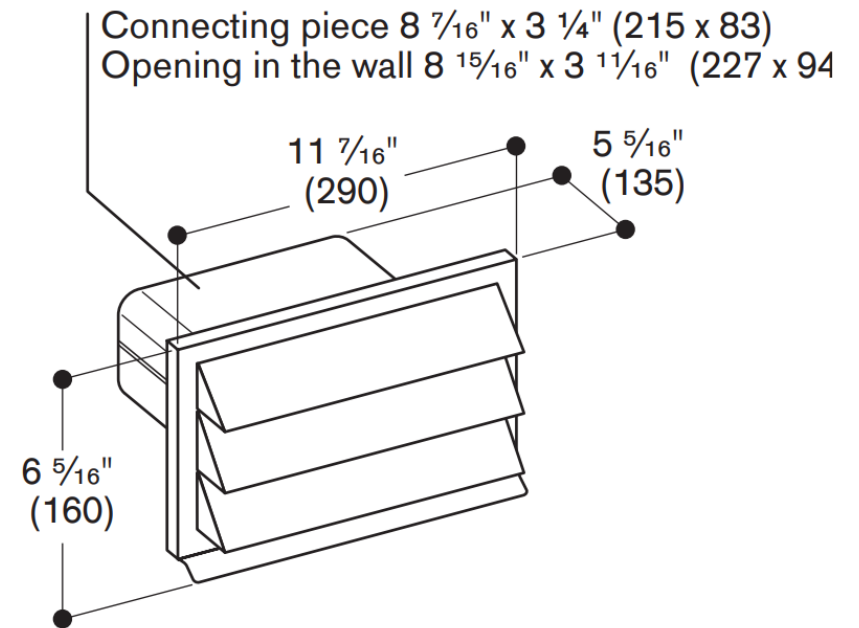


Configuration	AL400792 + AR403722 Front	Min. Work depth	29 <sup>5</sup> / <sub>8</sub> " (752mm)	Ventilation mode	Extraction
Type reference cooktops	CX 492 611	Type reference ventilation appliance	AL 400 792	Type reference remote fan unit	AR 403 722

Information about the wall outlet AD 850 050



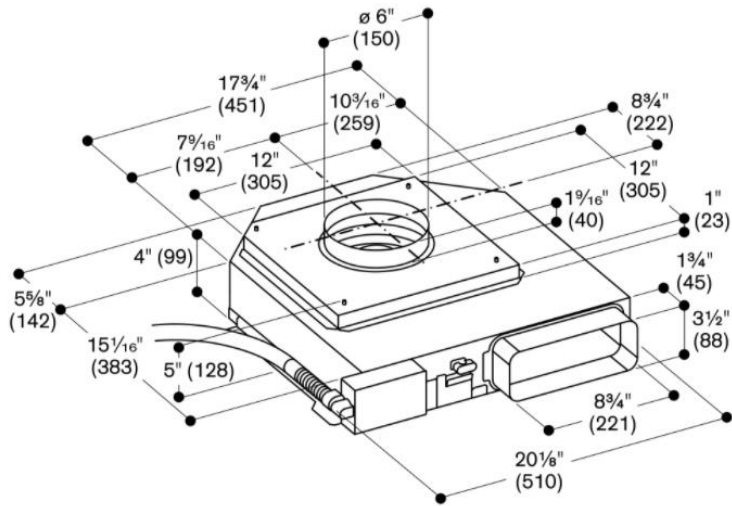
AD 850 050



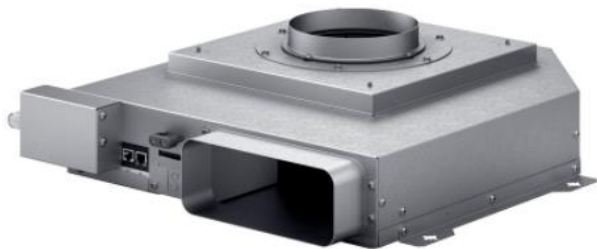


Configuration	AL400792 + AR403722 Front	Min. Work depth	29 5/8" (752mm)	Ventilation mode	Extraction
Type reference cooktops	CX 492 611	Type reference ventilation appliance	AL 400 792	Type reference remote fan unit	AR 403 722

## Information about remote fan unit AR 403 722

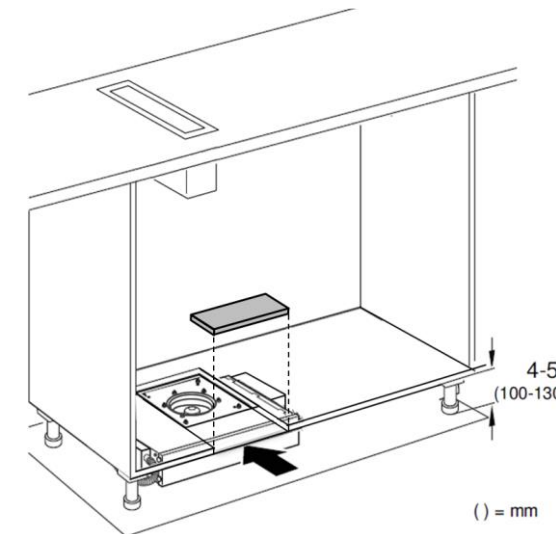
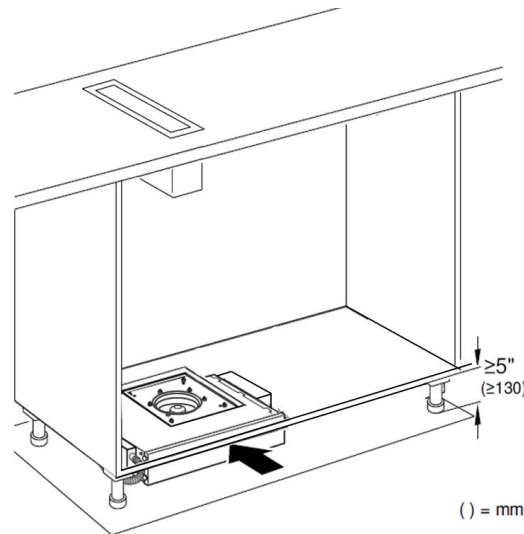
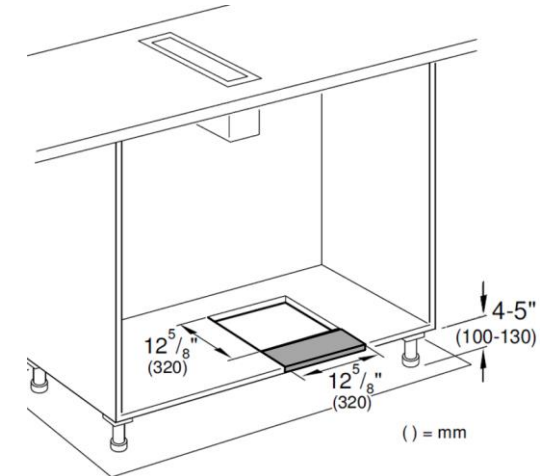
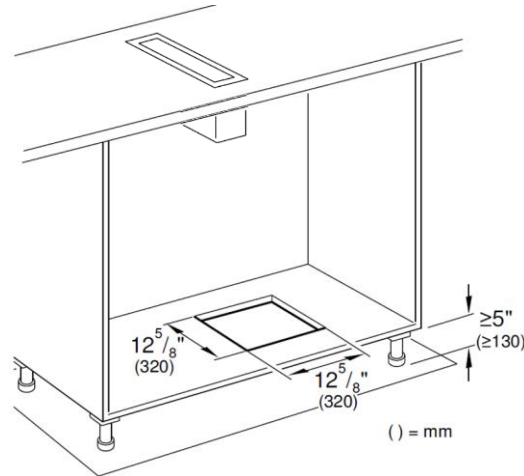


measurements in inches (mm)



Dimension in mm  
**GAGGENAU**

BSH Hausgeräte GmbH, Carl-Wery-Straße 34, 81739 Munich, Germany  
 Chairman of the Supervisory: Prof. Dr. Stefan Asenkerschbaumer  
 Directors: Dr. Gerhard Dambach (Chairman), Matthias Ginthum, Lars Schubert  
 Registered Office: Munich; Registry Court: Amtsgericht München, HRB 75534 WEEE-Reg.-Nr. DE 57986696

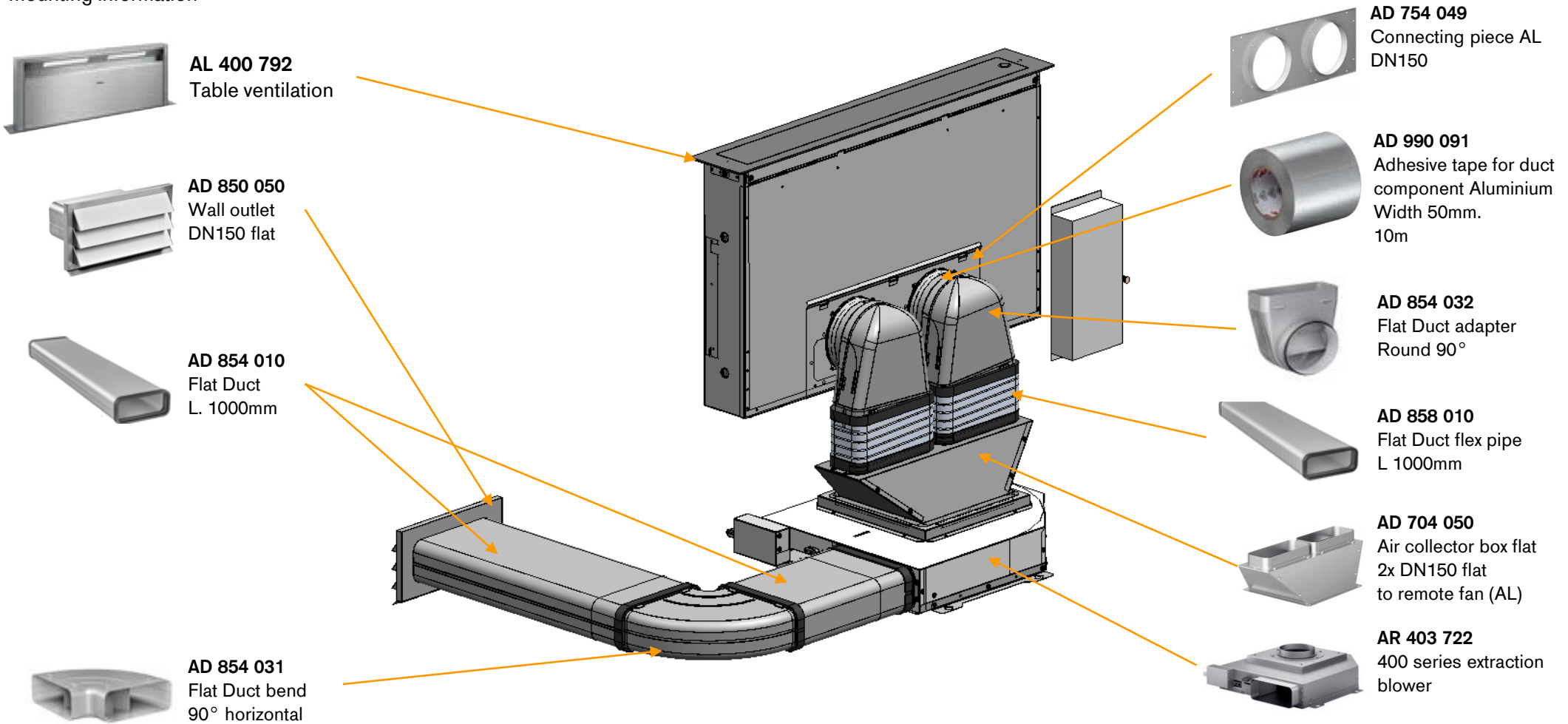


The drawing is provided only as an example. Please pay attention to the technical installation drawings in the Gaggenau Models and Dimensions. The technical drawings are not based on customer data and are merely for installation recommendation. The exact installation must be verified by the kitchen studio on an individual customer basis.

20 April 2023

Configuration	AL400792 + AR403722 Front	Min. Work depth	29 5/8" (752mm)	Ventilation mode	Extraction
Type reference cooktops	CX 492 611	Type reference ventilation appliance	AL 400 792	Type reference remote fan unit	AR 403 722

## Mounting information



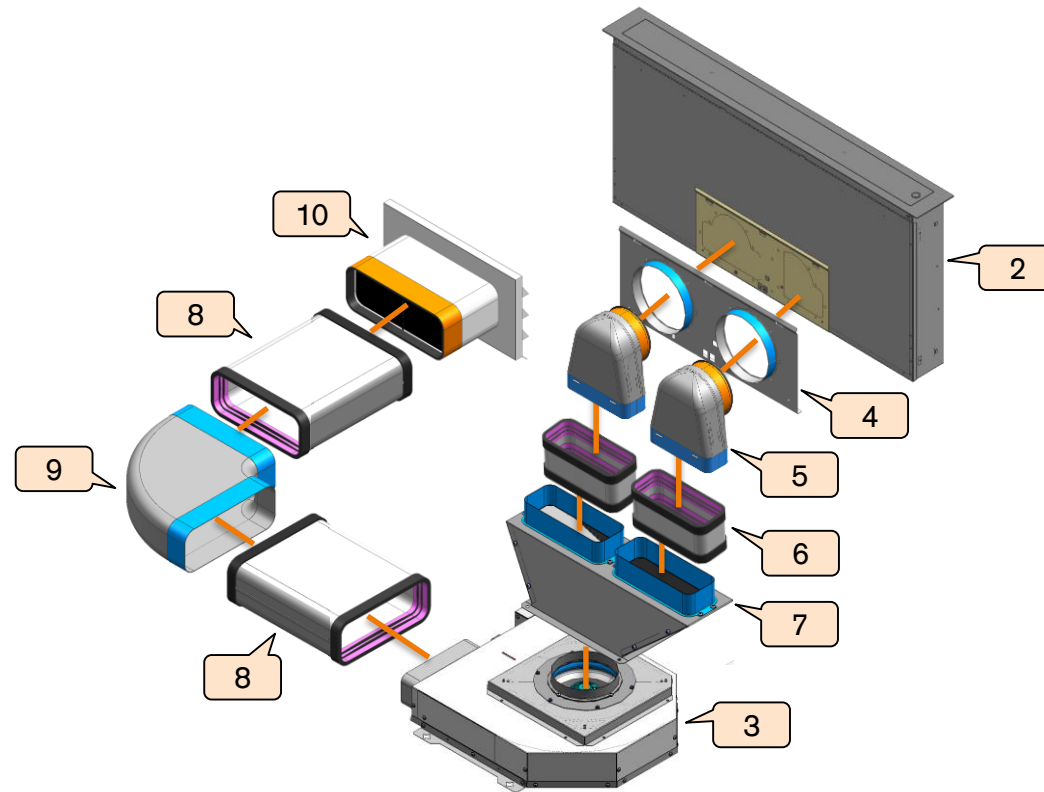
BSH Hausgeräte GmbH, Carl-Wery-Straße 34, 81739 Munich, Germany  
 Chairman of the Supervisory: Prof. Dr. Stefan Asenkerschbaumer  
 Directors: Dr. Gerhard Dambach (Chairman), Matthias Ginthum, Lars Schubert  
 Registered Office: Munich; Registry Court: Amtsgericht München, HRB 75534 WEEE-Reg.-Nr. DE 57986696

The drawing is provided only as an example.  
 Please pay attention to the technical installation drawings in the Gaggenau Models and Dimensions. The technical drawings are not based on customer data and are merely for installation recommendation. The exact installation must be verified by the kitchen studio on an individual customer basis.


20 April 2023


Configuration	AL400792 + AR403722 Front	Min. Work depth	29 <sup>5</sup> / <sub>8</sub> " (752mm)	Ventilation mode	Extraction
Type reference cooktops	CX 492 611	Type reference ventilation appliance	AL 400 792	Type reference remote fan unit	AR 403 722


## Mounting information



See "Bill of material" page

 Blue : male connection

 Pink: female connection

 Orange: into male connection DN 150

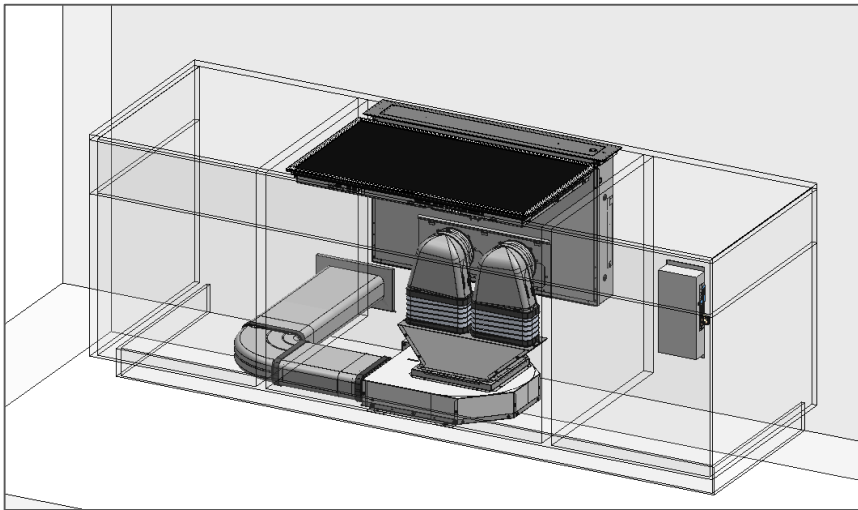
BSH Hausgeräte GmbH, Carl-Wery-Straße 34, 81739 Munich, Germany  
 Chairman of the Supervisory : Prof. Dr. Stefan Asenkerschbaumer  
 Directors : Dr. Gerhard Dambach (Chairman), Matthias Ginthum, Lars Schubert  
 Registered Office : Munich; Registry Court : Amtsgericht München, HRB 75534 WEEE-Reg.-Nr. DE 57986696

The drawing is provided only as an example.  
 Please pay attention to the technical installation drawings in the Gaggenau Models and Dimensions. The technical drawings are not based on customer data and are merely for installation recommendation. The exact installation must be verified by the kitchen studio on an individual customer basis.

20. April 2023

Configuration	AL400792 + AR403722 Front	Min. Work depth	29 <sup>5</sup> / <sub>8</sub> " (752mm)	Ventilation mode	Extraction
Type reference cooktops	CX 492 611	Type reference ventilation appliance	AL 400 792	Type reference remote fan unit	AR 403 722

## Bill of material



Position	Quantity	Part number	Appliance Design / Accessories Design
1	1	<b>CX 492 611</b>	Vario 400 series full surface induction cooktop
2	1	<b>AL 400 792</b>	Retractable downdraft (36")
3	1	<b>AR 403 722</b>	Remote fan unit
4	1	<b>AD 754 049</b>	Connecting piece for AL 400 Metal zinc coated DN150 round
5	2	<b>AD 854 032</b>	Flat Duct adapter Round 90°
6	2	<b>AD 858 010</b>	Flat duct flex pipe Metal DN 150 flat Length 1000 mm
7	1	<b>AD 704 050</b>	Air collector box flat 2x DN150 flat to remote fan (AL)
8	2	<b>AD 854 010</b>	Flat duct. Length. 39 <sup>6</sup> / <sub>16</sub> " (1000mm)
9	1	<b>AD 854 031</b>	Flat Duct bend 90° horizontal
10	1	<b>AD 850 050</b>	Wall outlet DN150 flat. Weatherproof stainless steel louvers. Integrated one-way flap.
11	1	<b>AA 409 401</b>	Furniture support
12	1	<b>AD 990 091</b>	Aluminium Adhesive tape (10m)