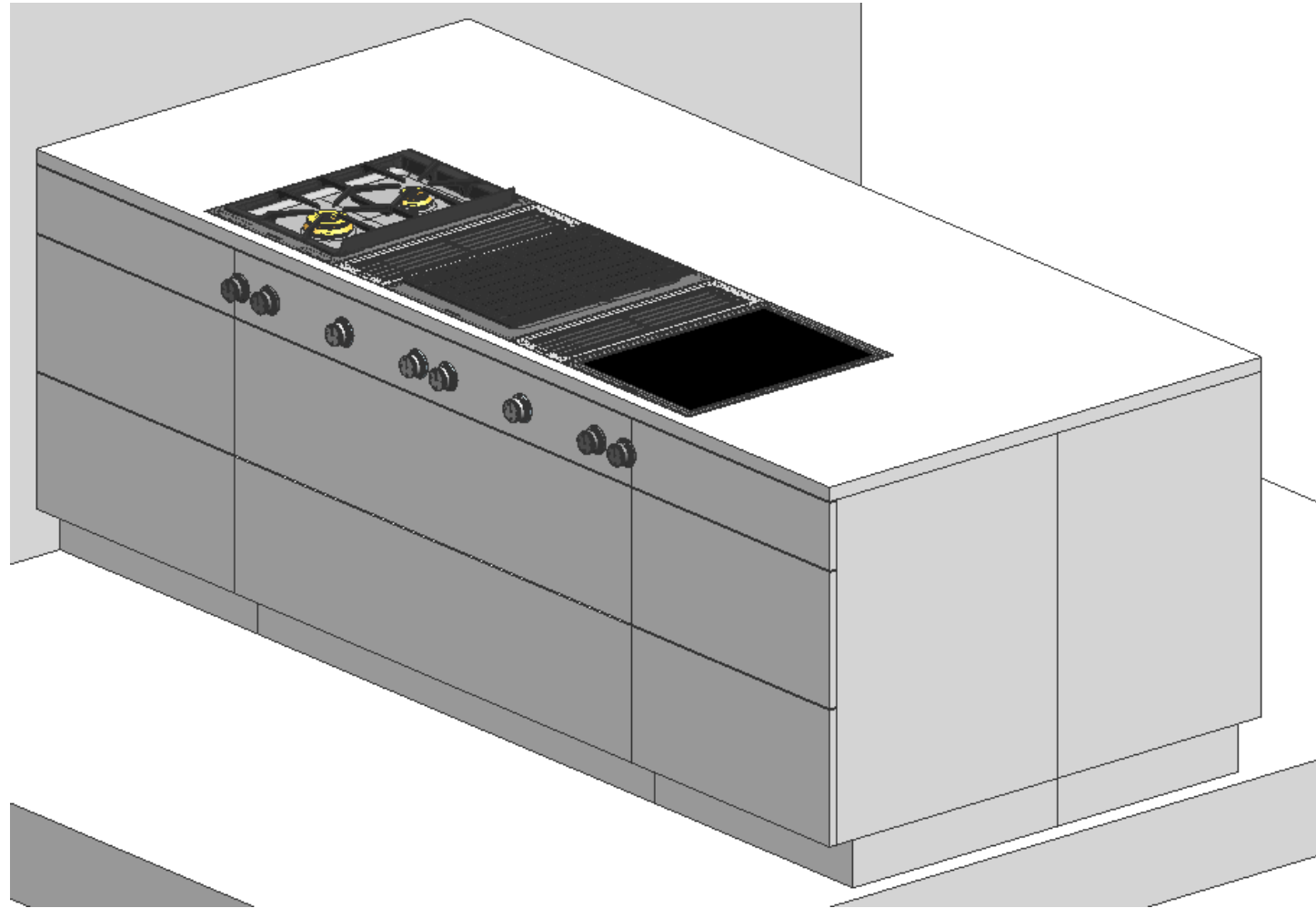


17. Januar 2023

Configuration	2x VL 414 712 - 2x AR 403 722 - 3 Varios	Min. Work depth	Min. 43 ⁵ / ₁₆ "	Ventilation mode	Extraction
Type reference cooktops	VG 425 211 - VR 414 611 - VI 422 613	Type reference ventilation appliance	VL 414 712	Type reference remote fan unit	AR 403 722

Installation view



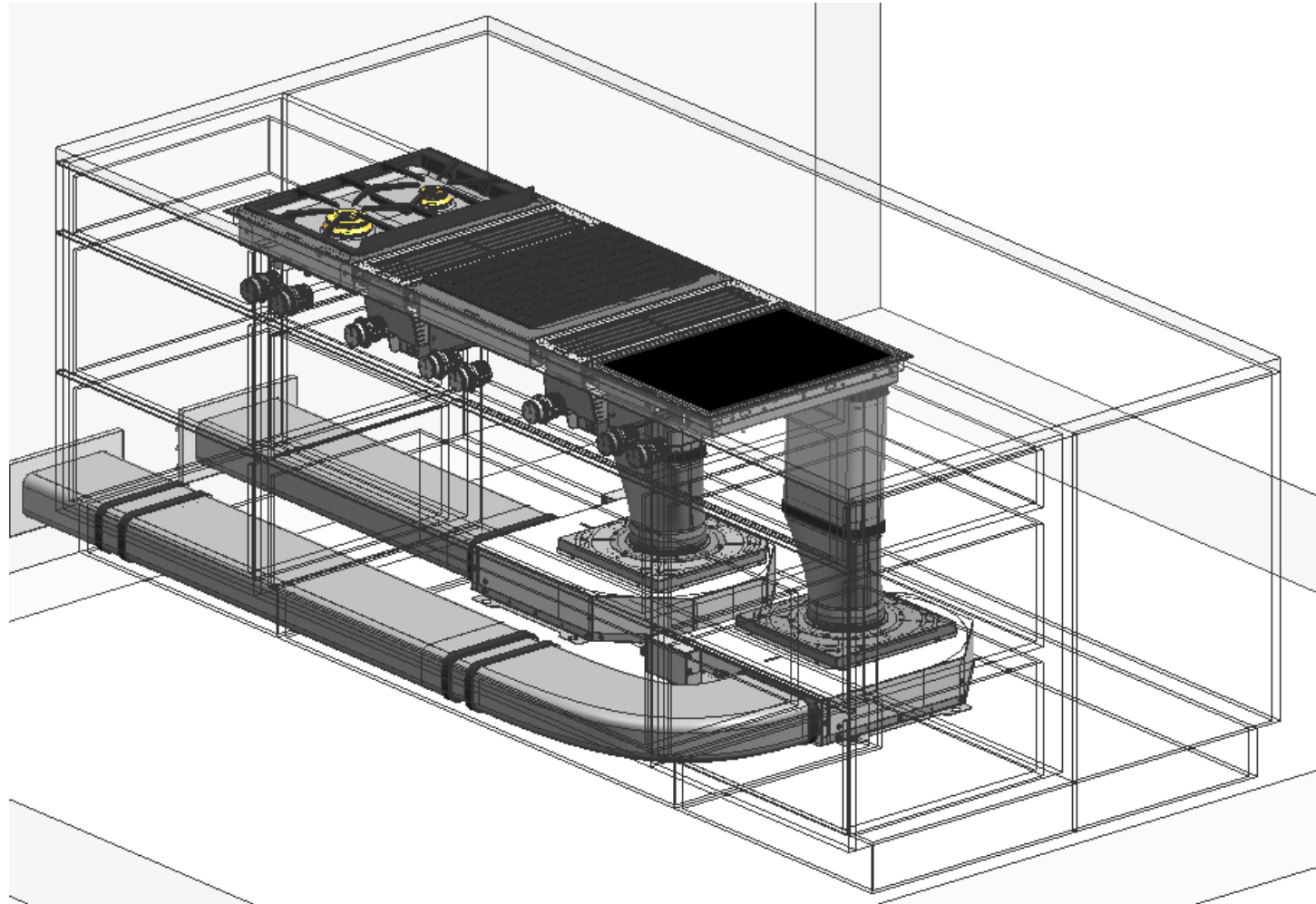
BSH Hausgeräte GmbH, Carl-Wery-Straße 34, 81739 Munich, Germany
 Chairman of the Supervisory : Prof. Dr. Stefan Asenkerschbaumer
 Directors : Dr. Carla Kriwet (Chairman), Dr. Gerhard Dambach, Matthias Ginthum, Dr. Silke Maurer
 Registered Office : Munich; Registry Court : Amtsgericht München, HRB 75534 WEEE-Reg.-Nr. DE 57986696

The drawing is provided only as an example.
 Please pay attention to the technical installation drawings in the Gaggenau Models and Dimensions. The technical drawings are not based on customer data and are merely for installation recommendation. The exact installation must be verified by the kitchen studio on an individual customer basis.

17. Januar 2023

Configuration	2x VL 414 712 - 2x AR 403 722 - 3 Varios	Min. Work depth	Min. 43 5/16"	Ventilation mode	Extraction
Type reference cooktops	VG 425 211 - VR 414 611 - VI 422 613	Type reference ventilation appliance	VL 414 712	Type reference remote fan unit	AR 403 722

Installation view

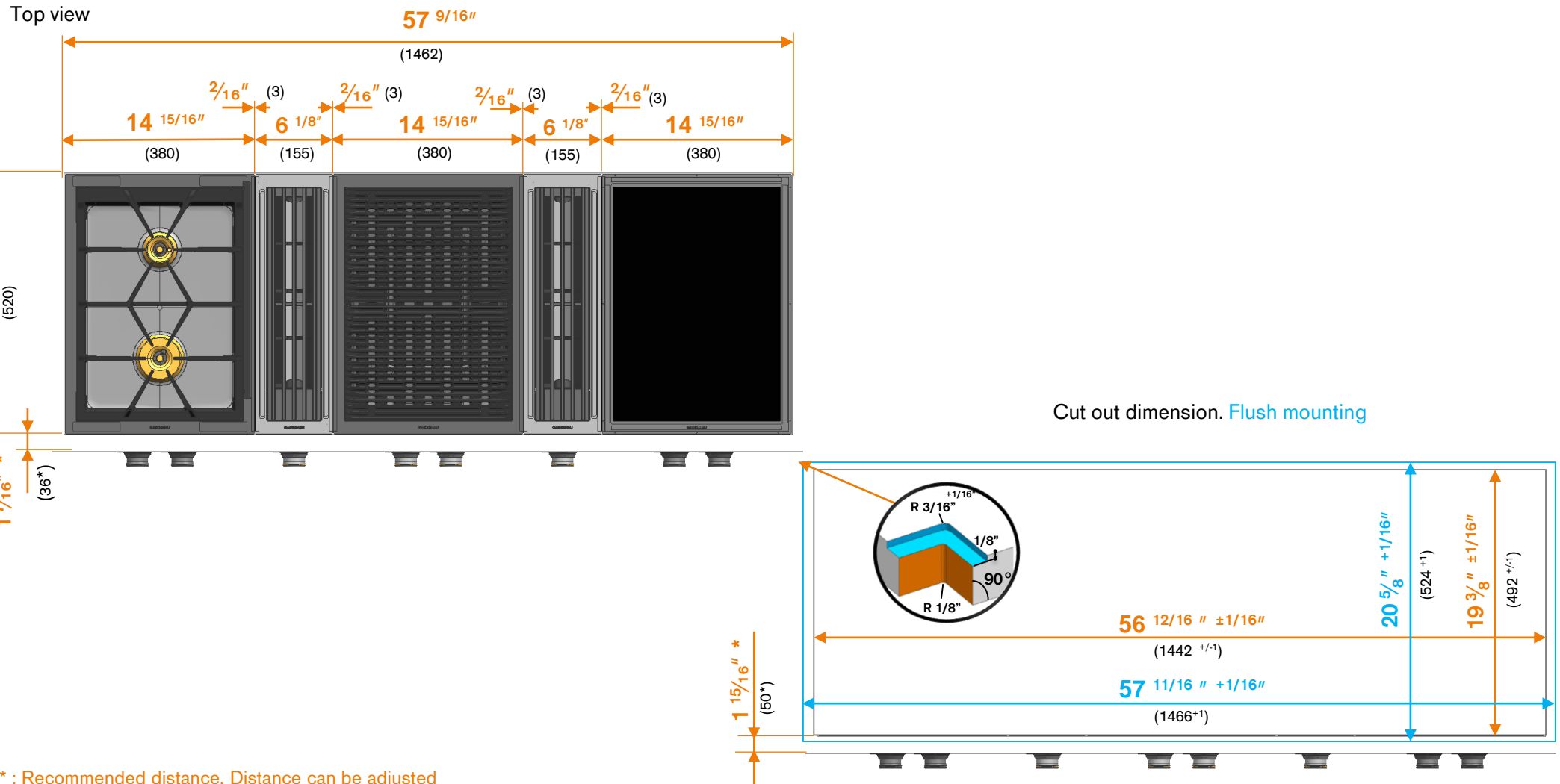


BSH Hausgeräte GmbH, Carl-Wery-Straße 34, 81739 Munich, Germany
 Chairman of the Supervisory : Prof. Dr. Stefan Asenkerschbaumer
 Directors : Dr. Carla Kriwet (Chairman), Dr. Gerhard Dambach, Matthias Ginthum, Dr. Silke Maurer
 Registered Office : Munich; Registry Court : Amtsgericht München, HRB 75534 WEEE-Reg.-Nr. DE 57986696

The drawing is provided only as an example.
 Please pay attention to the technical installation drawings in the Gaggenau Models and Dimensions. The technical drawings are not based on customer data and are merely for installation recommendation. The exact installation must be verified by the kitchen studio on an individual customer basis.

17. Januar 2023

Configuration	2x VL 414 712 - 2x AR 403 722 - 3 Varios	Min. Work depth	Min. 43 5/16"	Ventilation mode	Extraction
Type reference cooktops	VG 425 211 - VR 414 611 - VI 422 613	Type reference ventilation appliance	VL 414 712	Type reference remote fan unit	AR 403 722



* : Recommended distance. Distance can be adjusted
(inside parenthesis) = mm



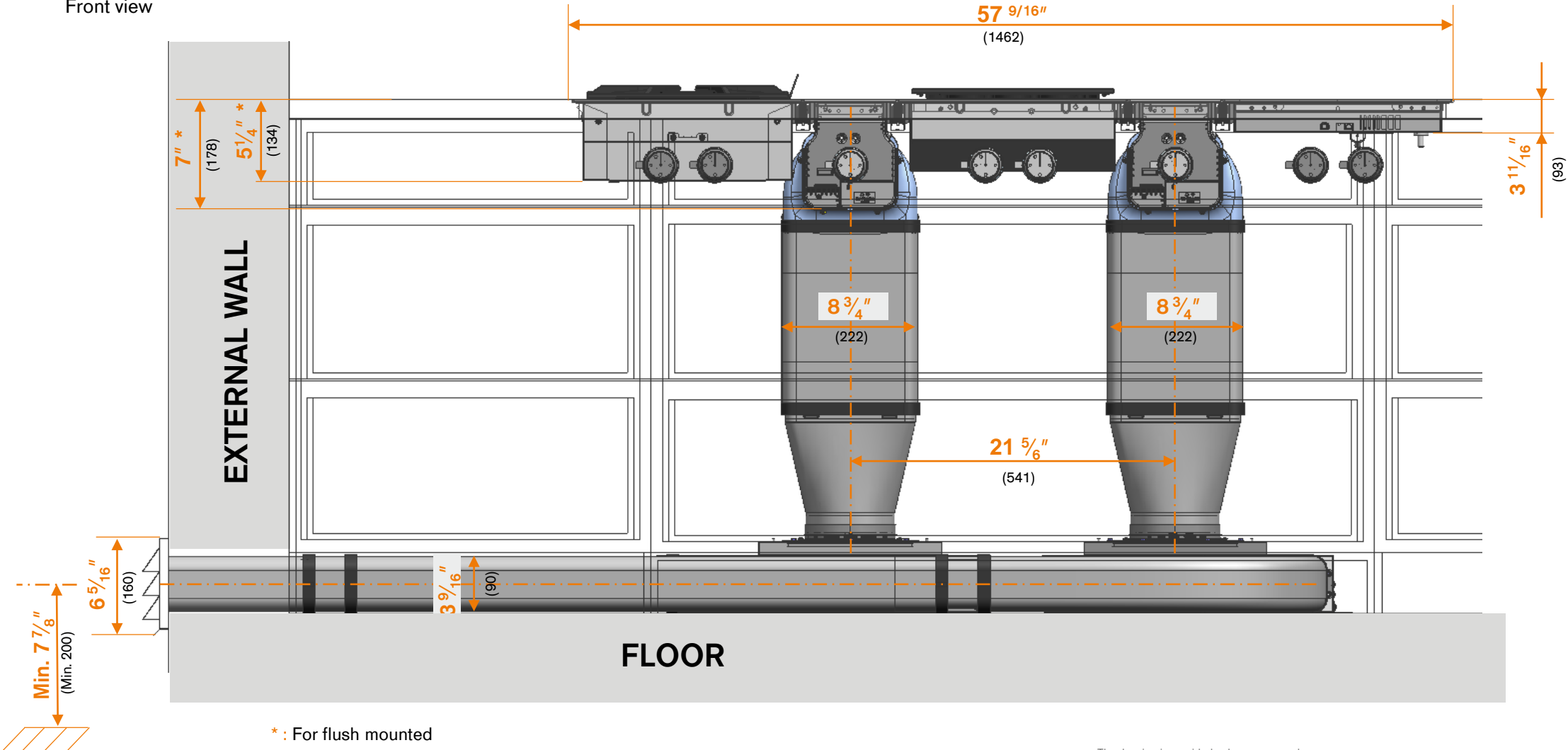
BSH Hausgeräte GmbH, Carl-Wery-Straße 34, 81739 Munich, Germany
 Chairman of the Supervisory : Prof. Dr. Stefan Asenkerschbaumer
 Directors : Dr. Carla Kriwet (Chairman), Dr. Gerhard Dambach, Matthias Ginthum, Dr. Silke Maurer
 Registered Office : Munich; Registry Court : Amtsgericht München, HRB 75534 WEEE-Reg.-Nr. DE 57986696

The drawing is provided only as an example. Please pay attention to the technical installation drawings in the Gaggenau Models and Dimensions. The technical drawings are not based on customer data and are merely for installation recommendation. The exact installation must be verified by the kitchen studio on an individual customer basis.

17. Januar 2023

Configuration	2x VL 414 712 - 2x AR 403 722 - 3 Varios	Min. Work depth	Min. 43 ⁵ / ₁₆ "	Ventilation mode	Extraction
Type reference cooktops	VG 425 211 - VR 414 611 - VI 422 613	Type reference ventilation appliance	VL 414 712	Type reference remote fan unit	AR 403 722

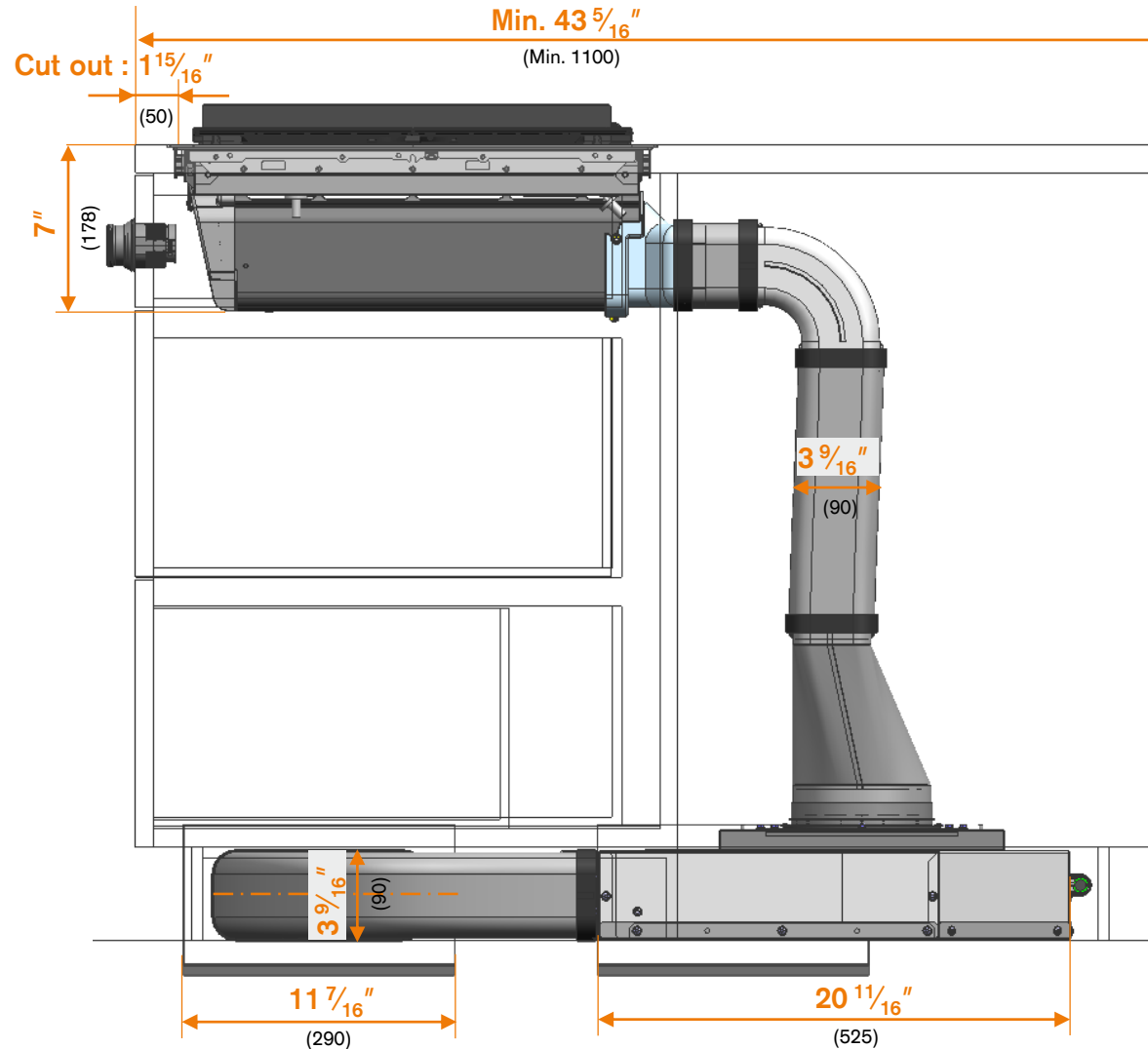
Front view



17. Januar 2023

Configuration	2x VL 414 712 - 2x AR 403 722 - 3 Varios	Min. Work depth	Min. 43 5/16"	Ventilation mode	Extraction
Type reference cooktops	VG 425 211 - VR 414 611 - VI 422 613	Type reference ventilation appliance	VL 414 712	Type reference remote fan unit	AR 403 722

Right view



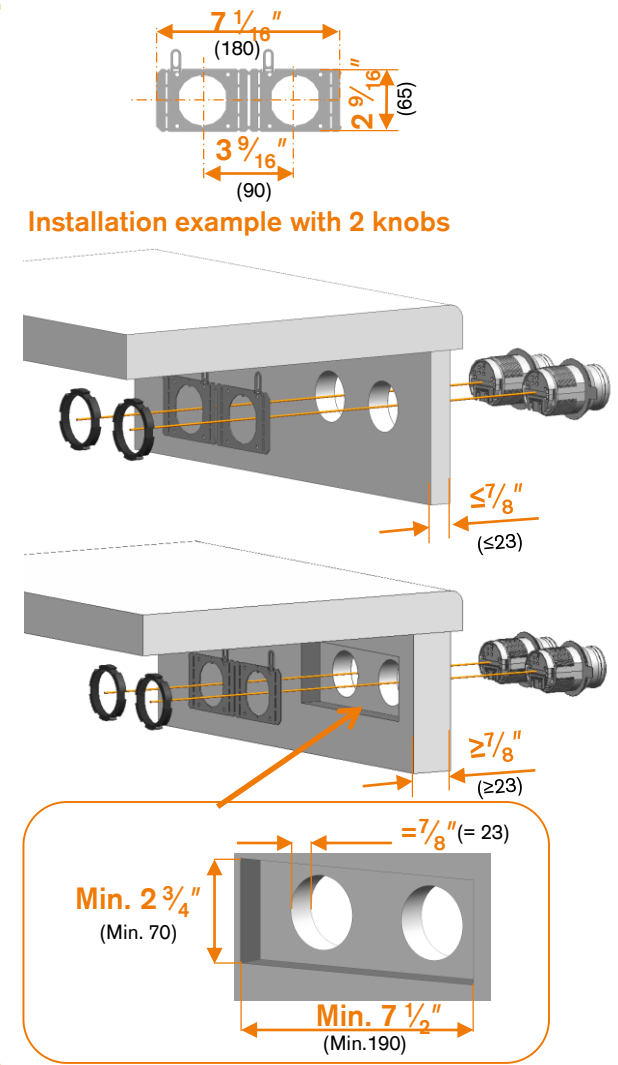
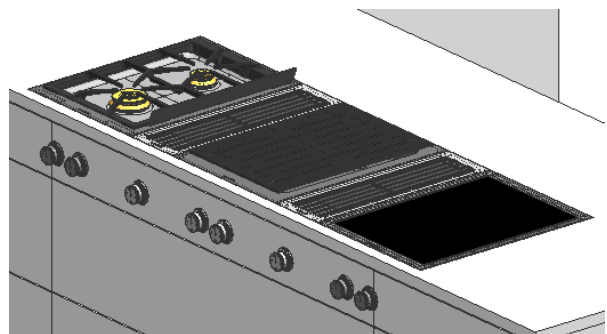
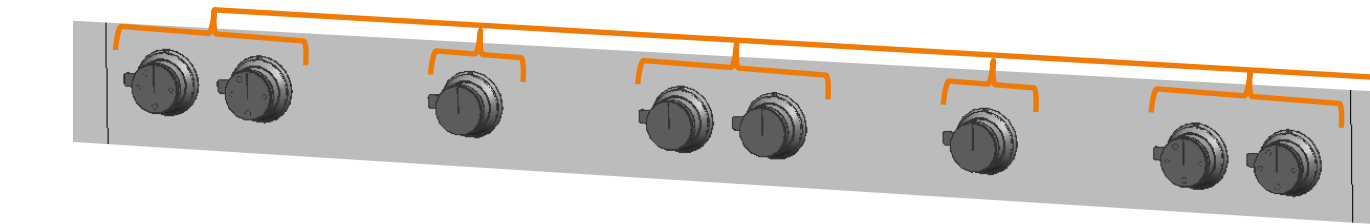
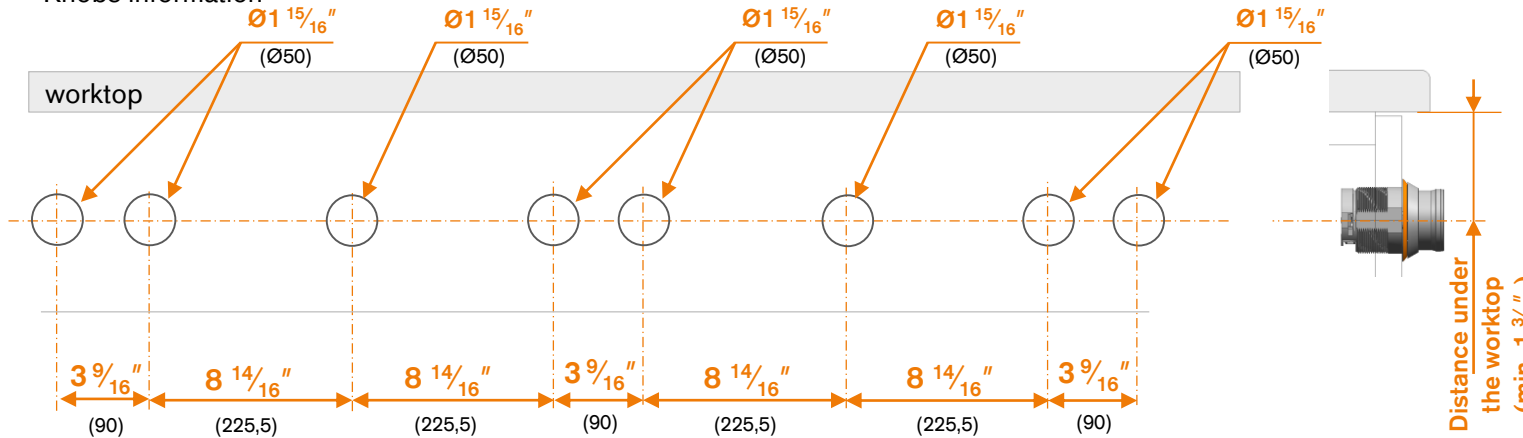
BSH Hausgeräte GmbH, Carl-Wery-Straße 34, 81739 Munich, Germany
 Chairman of the Supervisory : Prof. Dr. Stefan Asenkerschbaumer
 Directors : Dr. Carla Kriwet (Chairman), Dr. Gerhard Dambach, Matthias Ginthum, Dr. Silke Maurer
 Registered Office : Munich; Registry Court : Amtsgericht München, HRB 75534 WEEE-Reg.-Nr. DE 57986696

The drawing is provided only as an example. Please pay attention to the technical installation drawings in the Gaggenau Models and Dimensions. The technical drawings are not based on customer data and are merely for installation recommendation. The exact installation must be verified by the kitchen studio on an individual customer basis.

17. Januar 2023

Configuration	2x VL 414 712 - 2x AR 403 722 - 3 Varios	Min. Work depth	Min. 43 5/16"	Ventilation mode	Extraction
Type reference cooktops	VG 425 211 - VR 414 611 - VI 422 613	Type reference ventilation appliance	VL 414 712	Type reference remote fan unit	AR 403 722

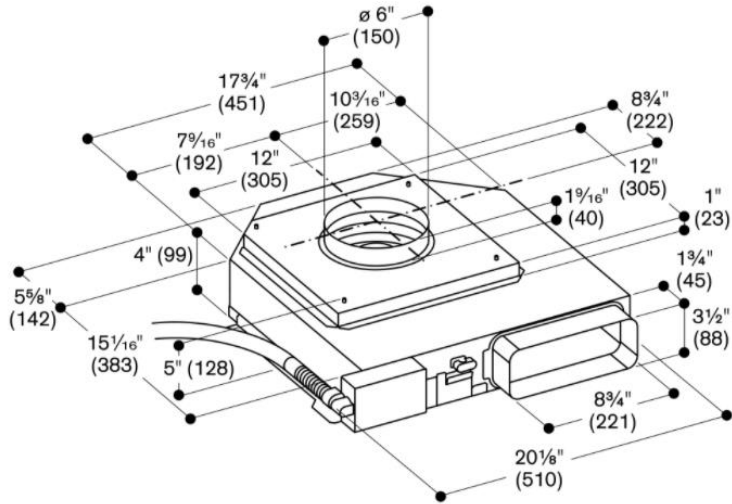
Knobs information



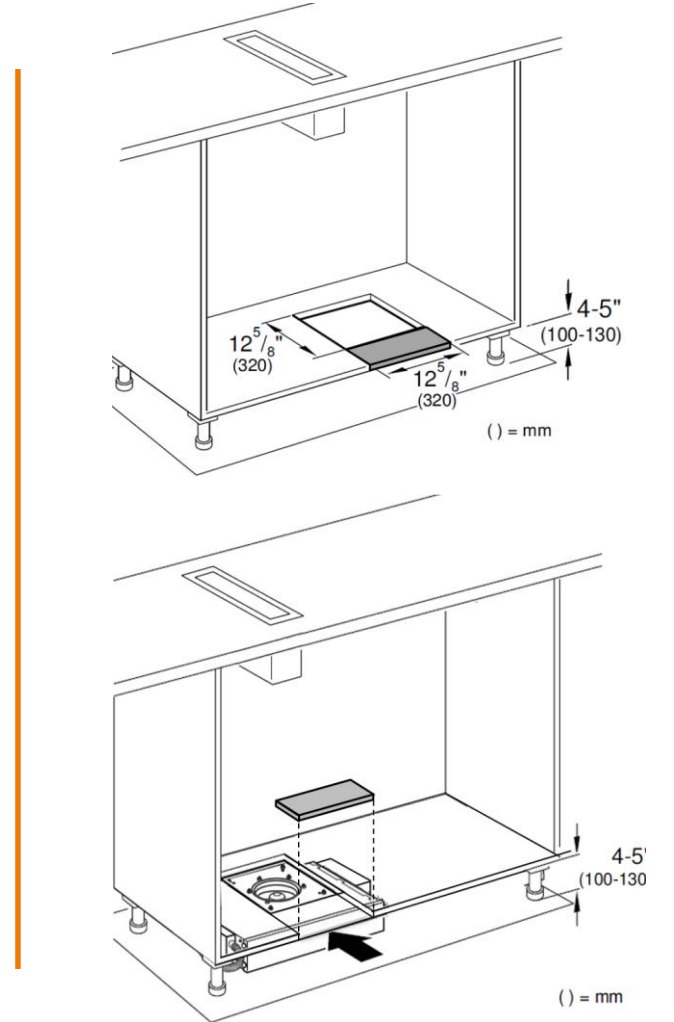
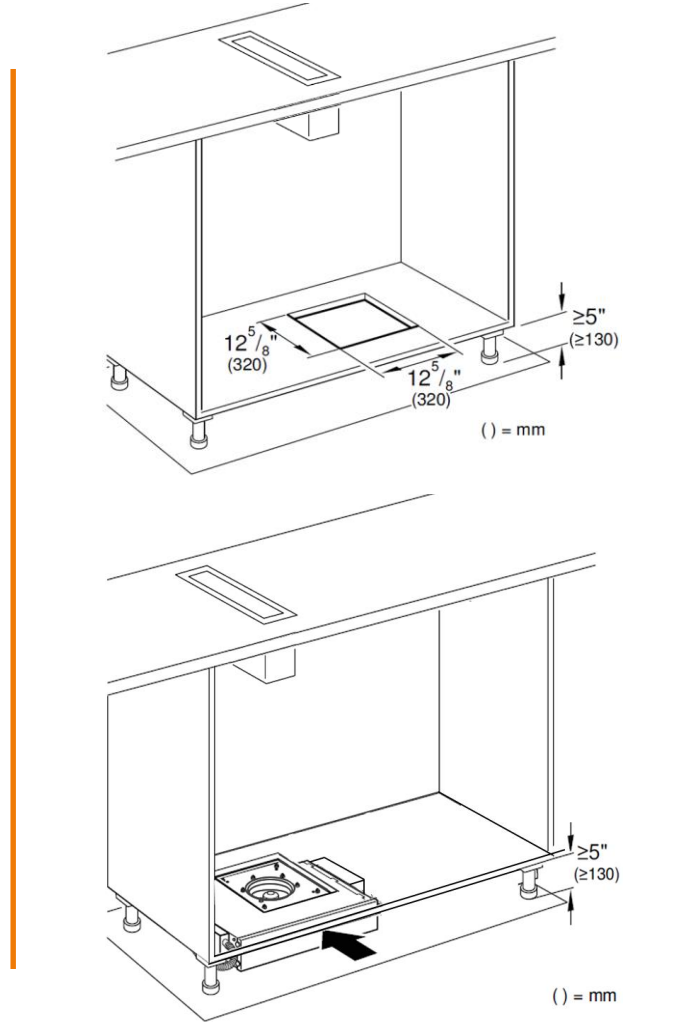
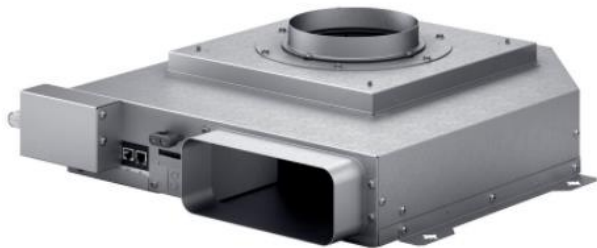
The drawing is provided only as an example. Please pay attention to the technical installation drawings in the Gaggenau Models and Dimensions. The technical drawings are not based on customer data and are merely for installation recommendation. The exact installation must be verified by the kitchen studio on an individual customer basis.

Configuration	2x VL 414 712 - 2x AR 403 722 - 3 Varios	Min. Work depth	Min. 43 5/16"	Ventilation mode	Extraction
Type reference cooktops	VG 425 211 - VR 414 611 - VI 422 613	Type reference ventilation appliance	VL 414 712	Type reference remote fan unit	AR 403 722

Information about remote fan unit AR 403 722



measurements in inches (mm)



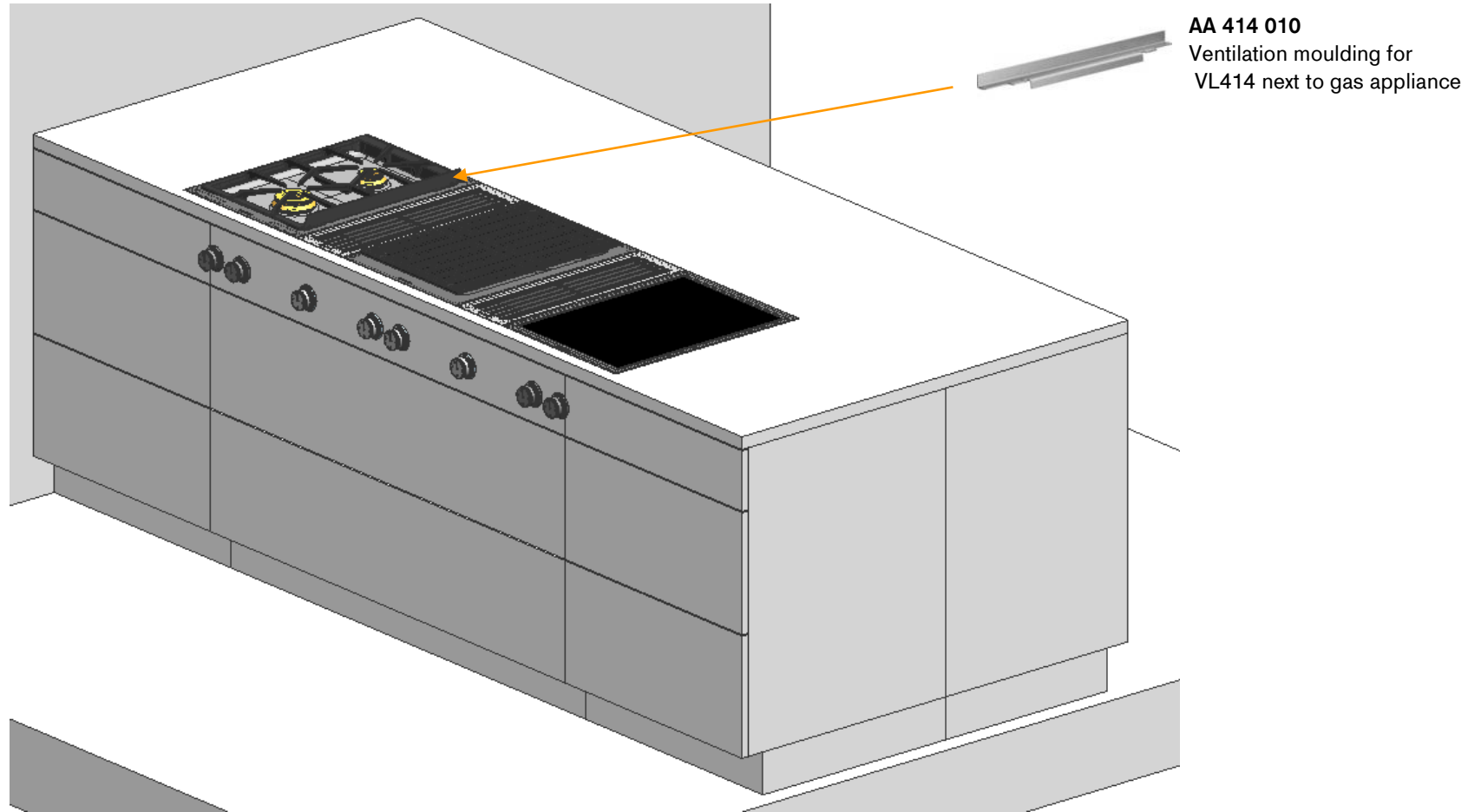
BSH Hausgeräte GmbH, Carl-Wery-Straße 34, 81739 Munich, Germany
 Chairman of the Supervisory: Prof. Dr. Stefan Asenkerschbaumer
 Directors: Dr. Carla Kriwet (Chairman), Dr. Gerhard Dambach, Matthias Ginthum, Dr. Silke Maurer
 Registered Office: Munich; Registry Court: Amtsgericht München, HRB 75534 WEEE-Reg.-Nr. DE 57986696

The drawing is provided only as an example. Please pay attention to the technical installation drawings in the Gaggenau Models and Dimensions. The technical drawings are not based on customer data and are merely for installation recommendation. The exact installation must be verified by the kitchen studio on an individual customer basis.

17. Januar 2023

Configuration	2x VL 414 712 - 2x AR 403 722 - 3 Varios	Min. Work depth	Min. 43 5/16"	Ventilation mode	Extraction
Type reference cooktops	VG 425 211 - VR 414 611 - VI 422 613	Type reference ventilation appliance	VL 414 712	Type reference remote fan unit	AR 403 722

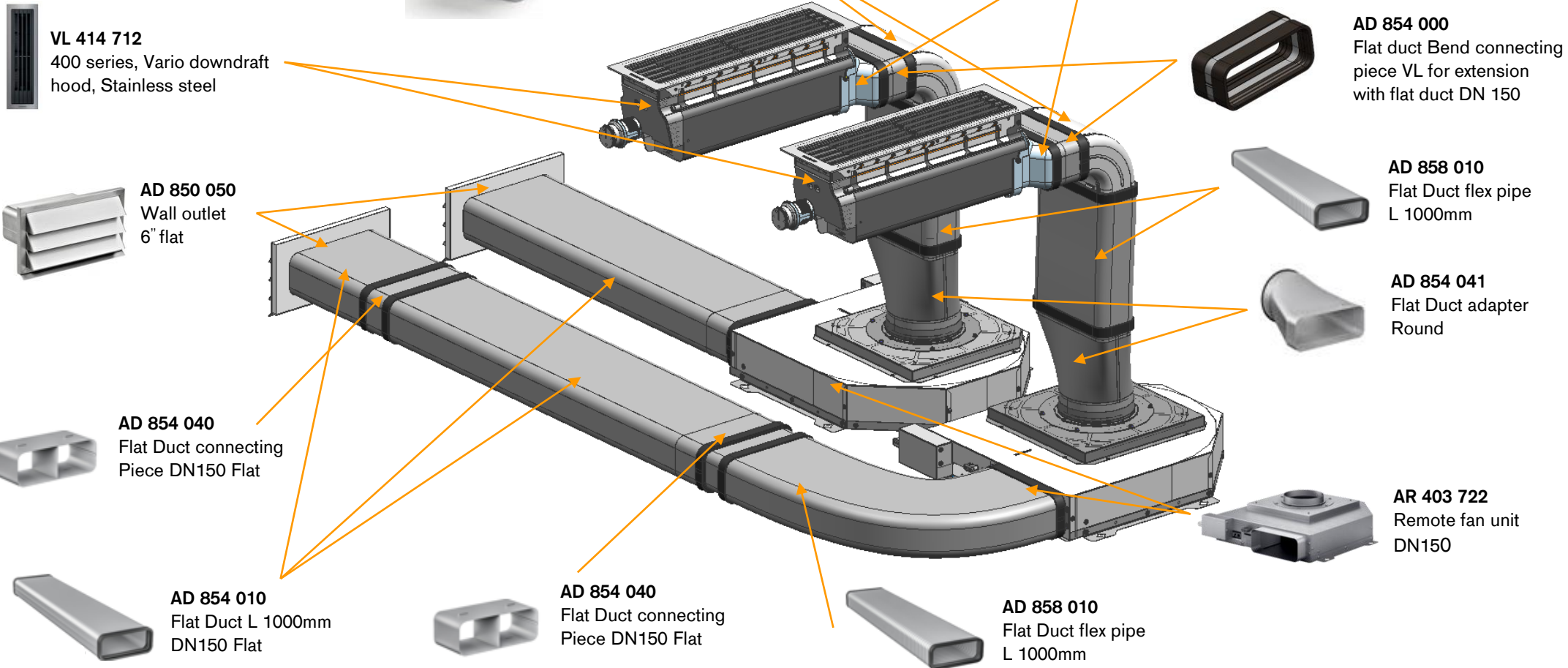
Specific to gas appliances



17. Januar 2023

Configuration	2x VL 414 712 - 2x AR 403 722 - 3 Varios	Min. Work depth	Min. 43 5/16"	Ventilation mode	Extraction
Type reference cooktops	VG 425 211 - VR 414 611 - VI 422 613	Type reference ventilation appliance	VL 414 712	Type reference remote fan unit	AR 403 722

Mounting information

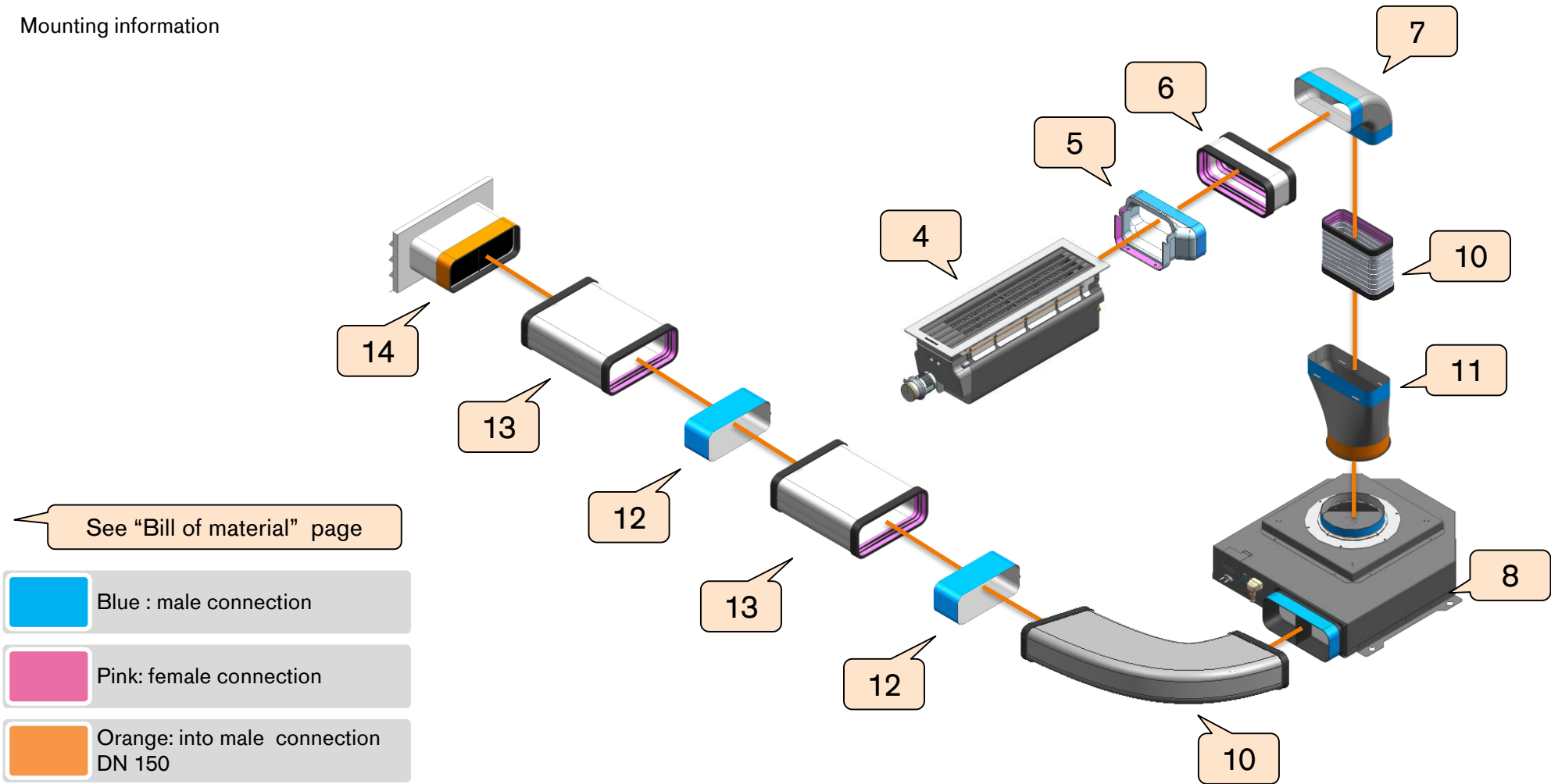


BSH Hausgeräte GmbH, Carl-Wery-Straße 34, 81739 Munich, Germany
 Chairman of the Supervisory: Prof. Dr. Stefan Asenkerschbaumer
 Directors: Dr. Carla Kriwet (Chairman), Dr. Gerhard Dambach, Matthias Ginthum, Dr. Silke Maurer
 Registered Office: Munich; Registry Court: Amtsgericht München, HRB 75534 WEEE-Reg.-Nr. DE 57986696

The drawing is provided only as an example.
 Please pay attention to the technical installation drawings in the Gaggenau Models and Dimensions. The technical drawings are not based on customer data and are merely for installation recommendation. The exact installation must be verified by the kitchen studio on an individual customer basis.

Configuration	2x VL 414 712 - 2x AR 403 722 - 3 Varios	Min. Work depth	Min. 43 5/16"	Ventilation mode	Extraction
Type reference cooktops	VG 425 211 - VR 414 611 - VI 422 613	Type reference ventilation appliance	VL 414 712	Type reference remote fan unit	AR 403 722

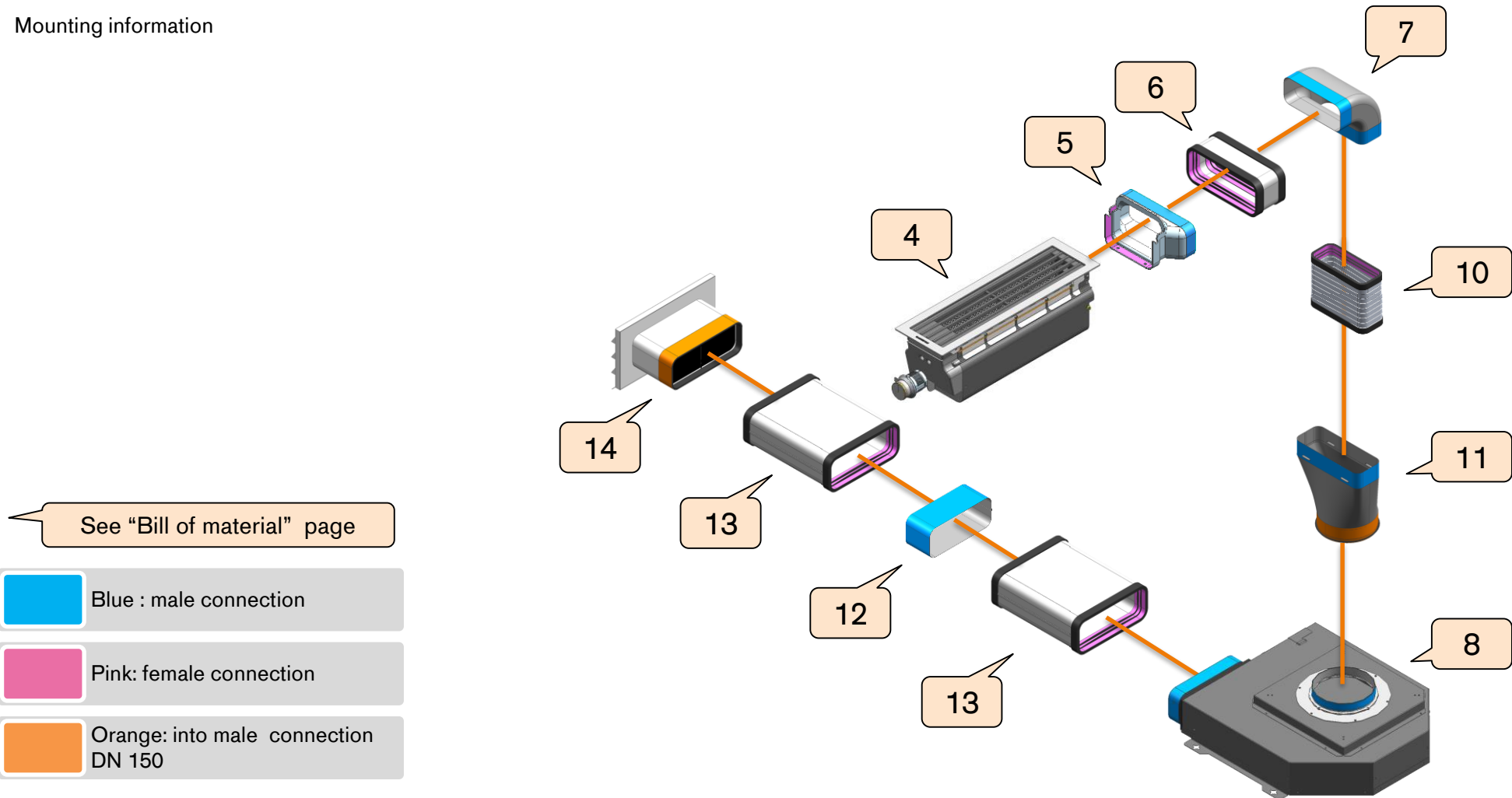
Mounting information



17. Januar 2023

Configuration	2x VL 414 712 - 2x AR 403 722 - 3 Varios	Min. Work depth	Min. 43 5/16"	Ventilation mode	Extraction
Type reference cooktops	VG 425 211 - VR 414 611 - VI 422 613	Type reference ventilation appliance	VL 414 712	Type reference remote fan unit	AR 403 722

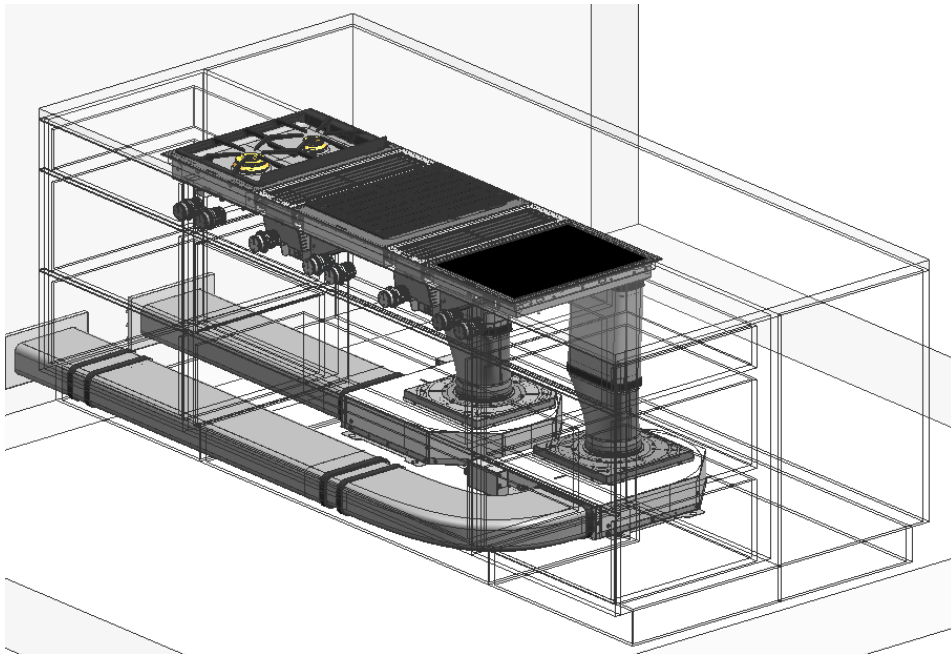
Mounting information



17. Januar 2023

Configuration	2x VL 414 712 - 2x AR 403 722 - 3 Varios	Min. Work depth	Min. 43 5/16"	Ventilation mode	Extraction
Type reference cooktops	VG 425 211 - VR 414 611 - VI 422 613	Type reference ventilation appliance	VL 414 712	Type reference remote fan unit	AR 403 722

Bill of material



Position	Quantity	Part number	Appliance Design / Accessories Design
1	1	VI 422 613	Vario induction wok cooktop 400 Series
2	1	VG 425 211 CA	Vario Gas cooktop 400 Series
3	1	VR 414 611	Vario Grill 400 Series
4	2	VL 414 712	Vario Downdraft ventilation 400 series
5	2	AD 851 041	Connecting piece VL for extension with flat duct DN 150
6	2	AD 854 000	Flat duct Bend connecting piece VL for extension with flat duct DN 150
7	2	AD 854 030	Flat duct bend 90° vertical DN150 flat
8	2	AR 403 722	Remote fan unit DN150
9	4	VA 420 000	Vario Connection strip for flush mounting
10	3	AD 858 010	Flat Duct 6" flex pipe L 1000mm
11	2	AD 854 041	Flat Duct 6" adapter Round Ø 6"
12	2	AD 854 040	Flat Duct 6" connecting piece
13	4	AD 854 010	Flat Duct 6" L.1000mm
14	2	AD 850 050	Wall outlet 6" flat
15	1	AA 414 010	Ventilation moulding for VL414 next to gas appliance
16	1	AD 990 091	Adhesive tape for duct components Aluminium