



RY 492 705

Fully integrated
Width 36" (91.4 cm)
Cooling section with two doors and
one fully extendable freezing drawer

Included accessories

- 1 egg holder with lid
- 1 ice cube scoop
- 1 supply hose, 51" (1.3 m) with
¼" male compression fitting
(standard icemaker connector)

Installation accessories

RA 421 915

Stainless steel door panels with
handles

For RY 492, panel thickness ¾".

RA 423 340

Side trims, 2 pieces, for RY and RB.

RA 425 110

Stainless steel handle for refrigerator
door for RY 492, with 3 mounts,
length 44 ½" (1.131mm).

Order quantity 2x required.

RA 425 910

Stainless steel handle for RY 492
freezer door, with 2 mounts, length
31 ⅞" (810 mm).

RA 428 915

Stainless steel door panels, **handleless**
For RY 492, panel thickness ¾".

RA 460 000

Accessory for side-by-side installation.
Not required if appliances are installed
more than 6 ⅝" apart from each other.
Included in delivery for RF and RW.

RA 460 012

Additional side heating element
110 V. Required if appliances are
installed with a distance greater than
⅝" and less than 6 ⅝" next to each
other and for all built-in situations in a
very humid environment. Not required
if appliances are installed more than
6 ⅝" apart from each other.

RA 460 030

Connecting element for vertically split
fronts (for bottom freezer combination).

RA 464 913

Ventilation grill stainless steel
For RB/RY 492 36" (91.4 cm) wide
appliances.

Vario 400 series three-door bottom freezer

RY 492

- Stainless steel interior with solid
anthracite aluminum elements
- Warm white and glare-free LED
light spots
- Opening assist for door with two
options:
 1. Push-to-open function for
integration into handleless cabinet
front
 2. Pull-to-open function to facilitate
opening the door using a handle
- Flat stainless steel inner doors
- Almost invisible rail system for
shelves and door racks for flexible
positioning
- Solid anthracite aluminum door
racks
- One fresh cooling drawer 32°F
(0°C) with manually adjustable
temperature control and one fresh
cooling drawer with manually
adjustable humidity
- Integrated ice maker with fixed inlet
water connection
- One asymmetrically split glass
shelf, height adjustable
- Fully extendable freezer drawer
with practical divider in anthracite
- TFT touch display
- ENERGY STAR® certified
- Sabbath mode certified by Star-K
- Net volume 19.4 cu.ft. (549 liters)

Operation

TFT touch display operation.
Clear text display.

Features

Dynamic cold air distribution.
Automatic defrosting with defrost
water evaporation.
Cushioned door closing system.
Activated charcoal air filter.
Sabbath mode certified by Star-K.
When sabbath mode is active, the
appliance can only be opened using
a handle.
Open-door and malfunction alarm.

Home network integration for digital
services (Home Connect) wireless via
WiFi. The use of the Home Connect
functionality depends on the Home
Connect services, which are not
available in every country.
For further information please check:
home-connect.com.

Cooling

No-Frost technology with fast cooling.
Temperature adjustable from 35°F to
46°F (+2°C to +8°C).
3 safety glass shelves, white glass,
2 of which are individually adjustable
in height.
1 asymmetrically split safety glass
shelf, with manual height adjustment.
4 brilliant LED light spots with warm
white, glare-free light within cooling
area and drawers.
Flat door rail system with fully flexible
positioning of door racks.
6 height-adjustable door racks, 2 of
which are extra deep.
Net volume 13.9 cu.ft.

Optional accessories

RA 430 100

Storage container with transparent lid,
anthracite

RA 450 000

Mechanical particle filter.

RA 450 022

Activated charcoal filter for water filter
system including saturation indicator.

Fresh cooling close to 32°F (0°C)

1 fully extendable fresh cooling drawer
close to 32°F (0°C) with transparent
front, illuminated.
Cushioned closing system.
Temperature can be adjusted manually.
Ideal for meat, fish and poultry.

Fresh cooling

1 fully extendable fresh cooling drawer
with transparent front, illuminated.
Cushioned closing system.
Humidity can be adjusted manually.
Ideal for fruit and vegetables.

Freezing

No-Frost technology with fast freezing
at -22°F (-30°C).
Temperature adjustable from 3°F to
-11°F (-16°C to -24°C).
Freezing capacity 35.3 lbs.
(16 kg)/24 h.
Storage time after a malfunction 17 h.
2 fully extendable inside drawers.
Interior lighting with 2 LED light spots,
warm white light.
Net volume 5.5 cu.ft.

Ice maker

Integrated in the freezer compartment,
with fixed inlet water connection.
Particle filter for water inlet, integrated
in ventilation grill area.
Can be switched off.
Ice cube production approx. 2.9 lbs.
(1.3 kg)/24 h.
Removable ice storage container with
approx. 6.6 lbs. (3 kg) capacity.

Consumption data

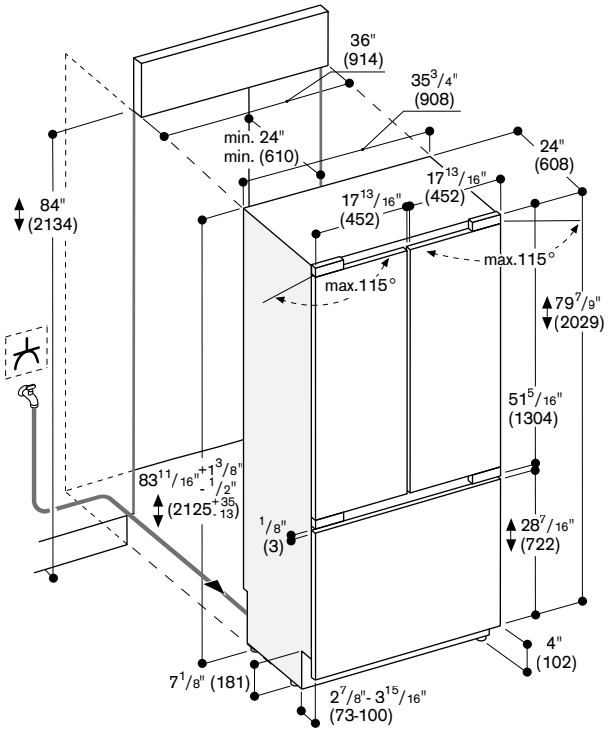
Energy consumption
579 kWh/year.
Noise level 42 dBA.

Planning notes

Flat hinge.
Door opening angle of 115°, fixable
at 90°.
Max. door panel weight:
Each door 147 lbs. (67 kg).
Drawer 22 lbs. (10 kg).
Shut-off valve for water connection
must be planned next to the appliance
and always be accessible.
If the water pressure exceeds 116 psi,
connect pressure relief valve between
water tap and hose set.

Rating

Total rating: 1.58 kW/24h.
Total Amps: 15 A.
120 V / 60 Hz
Connecting cable 118" (3m),
detachable.
Water inlet.
Supply hose 51" (1.3 m) with
¼" male compression fitting
(standard icemaker connector).
Water pressure 29 to 116 psi.



The door face dimensions are designed for a maximum gap of 1/8" (3 mm).