



## RF 411 705

Fully integrated  
Width 18" (45.7 cm)

### Included accessories

- 1 ice cube scoop
- 1 ice storage container, large
- 1 Accessory for side-by-side installation
- 1 supply hose, 47" (1.2 m) with ¼" male compression fitting (standard icemaker connector)

### Installation accessories

#### RA 421 115

Stainless steel door panel **with handle**  
For 18" (45.7 cm) wide appliances,  
Panel thickness ¾".

#### RA 423 140

Side trims, long.

#### RA 425 110

Stainless steel handle for freezer door.  
With 3 mounts, length 44 ½" (1.131 mm).

#### RA 428 115

Stainless steel door panel, **handleless**  
For 18" (45.7 cm) wide appliances,  
panel thickness ¾".

#### RA 460 012

Additional side heating element  
110 V. Required if appliances are  
installed with a distance greater than  
¾" and less than 6 ⅝" next to each  
other and for all built-in situations in a  
very humid environment. Not required  
if appliances are installed more than  
6 ⅝" apart from each other.

#### RA 460 020

Connecting element for vertically split  
appliance fronts (for a flush front).

#### RA 464 113

Ventilation grill stainless steel  
For RF 411 18" (45.7 cm) wide  
appliance with filter.

### Optional accessories

#### RA 450 000

Mechanical particle filter.

#### RA 450 022

Activated charcoal filter for water filter  
system including saturation indicator.

## Vario 400 series freezer column

### RF 411

- Stainless steel interior with solid anthracite aluminum elements
- Warm white and glare-free LED light spots
- Opening assist for door with two options:
  1. Push-to-open function for integration into handleless cabinet front
  2. Pull-to-open function to facilitate opening the door using a handle
- The drawers in the RC and RF models are positioned at the same height. With side-by-side installation, the glass shelves and door racks can be aligned on the same level
- Material and aesthetics of interior as for RC model
  - Glass shelves
  - Solid anthracite aluminum door racks
- Flat stainless steel inner door
- Almost invisible rail system for shelves and door racks for flexible positioning
- Integrated ice maker with fixed inlet water connection
- TFT touch display
- ENERGY STAR® certified
- Sabbath mode certified by Star-K
- Net volume 8.6 cu.ft.

### Operation

TFT touch display operation.  
Clear text display.

### Features

Dynamic cold air distribution.  
Automatic defrosting with defrost water evaporation.  
Cushioned door closing system.  
Sabbath mode certified by Star-K.  
When sabbath mode is active, the appliance can only be opened using a handle.  
Open-door and malfunction alarm.

Home network integration for digital services (Home Connect) wireless via WiFi. The use of the Home Connect functionality depends on the Home Connect services, which are not available in every country.  
For further information please check: [home-connect.com](http://home-connect.com).

### Freezing

No-Frost technology with fast freezing at -22°F (-30°C).  
Temperature adjustable from 3°F to -11°F (-16°C to -24°C).  
4 safety glass shelves, white glass, 3 of which are individually adjustable in height.  
2 fully extendable drawers with transparent front.  
Brilliant LED light spots with warm white, glare-free light.  
Flat door rail system with fully flexible positioning of door racks.  
4 height-adjustable door racks.  
Net volume 8.6 cu.ft.

### Ice maker

Integrated in the freezer compartment, with fixed inlet water connection.  
Particle filter for water inlet, integrated in ventilation grill area.  
Can be switched off.

Ice cube production approx. 3.1 lbs. (1.4 kg)/24 h.  
Removable ice storage container with approx. 5.5 lbs. (2.5kg) capacity.

### Consumption data

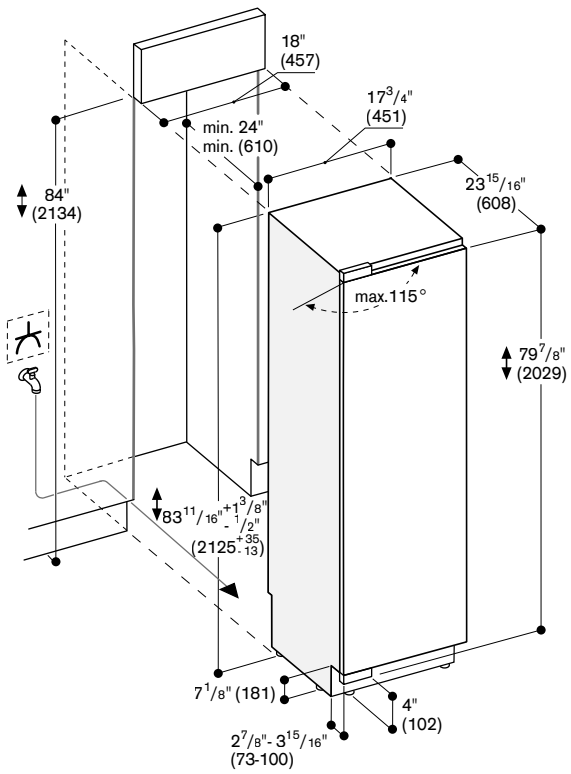
Energy consumption  
404 kWh/year.  
Noise level 42 dBA.

### Planning notes

Flat hinge.  
Door hinge right, reversible.  
Door opening angle of 115°, fixable at 90°.  
Due to limitations in use, it is not recommended to install a freezer next to a wall which requires a door angle of 90°. Otherwise the drawer bins will be restricted.  
In case of door opening angle of 90° the standard ice storage container cannot be removed. A small ice storage container (RA 448 220) is available to ensure access. This change must be done prior to fixing the door.  
Max. door panel weight: 55 lbs. (25 kg).  
Shut-off valve for water connection must be planned next to the appliance and always be accessible.  
If the water pressure exceeds 116 psi, connect pressure relief valve between water tap and hose set.

### Rating

Total rating: 1.107 kW/24h.  
Total Amps: 15 A.  
120 V / 60 Hz  
Connecting cable 118" (3m) detachable.  
Water inlet.  
Supply hose 47" (1.2 m) with ¼" male compression fitting (standard icemaker connector).  
Water pressure 29 to 116 psi.



The door face dimensions are designed for a maximum gap of 1/8" (3 mm).