



## RB 492 704

Fully integrated  
Width 36" (91.4 cm)  
Cooling section with one door and one fully extendable freezing drawer

### Included accessories

- 1 egg holder with lid
- 1 ice cube scoop
- 1 supply hose, 51" (1.3 m) with ¼" male compression fitting (standard icemaker connector)

### Installation accessories

#### RA 421 913

Stainless steel door panel with handle

For 36" (91.4cm) RB bottom freezer, panel thickness ¾".

#### RA 423 340

Side trims, 2 pieces, for RY and RB.

#### RA 425 110

Stainless steel handle for refrigerator door for RB 492, with 3 mounts, length 44 1/2" (1.131m).

#### RA 425 910

Stainless steel handle for freezer door. For RB 492, with 2 mounts, length 31 7/8" (810 mm).

#### RA 428 913

Stainless steel door panels, handleless For RB 492, panel thickness ¾".

#### RA 460 000

Accessory for side-by-side installation. Not required if appliances are installed more than 6 5/16" apart from each other. Included in delivery for RF and RW

#### RA 460 012

Additional side heating element 110 V. Required if appliances are installed with a distance greater than 5/8" and less than 6 5/16" next to each other and for all built-in situations in a very humid environment. Not required if appliances are installed more than 6 5/16" apart from each other.

#### RA 460 030

Connecting element for vertically split fronts (for bottom freezer combination).

#### RA 464 910

Ventilation grill stainless steel For RB/RY 492.

## Vario 400 series two-door bottom freezer

### RB 492

- Stainless steel interior with solid anthracite aluminum elements
- Warm white and glare-free LED light spots
- Opening assist for door with two options:
  1. Push-to-open function for integration into handleless cabinet front
  2. Pull-to-open function to facilitate opening the door using a handle
- Flat stainless steel inner door
- Almost invisible rail system for shelves and door racks for flexible positioning
- Solid anthracite aluminum door racks
- One fresh cooling drawer with manually adjustable temperature and one fresh cooling drawer with manually adjustable humidity
- Integrated ice maker with fixed inlet water connection
- Fully extendable freezer drawer with practical divider in anthracite
- TFT touch display
- ENERGY STAR® certified
- Sabbath mode certified by Star-K
- Net volume 19.5 cu.ft.

### Operation

TFT touch display operation.  
Clear text display.

### Features

Dynamic cold air distribution.  
Automatic defrosting with defrost water evaporation.  
Cushioned door closing system.  
Activated charcoal air filter.  
Sabbath mode certified by Star-K. When sabbath mode is active, the appliance can only be opened using a handle.  
Open-door and malfunction alarm.

Home network integration for digital services (Home Connect) wireless via WiFi. The use of the Home Connect functionality depends on the Home Connect services, which are not available in every country. For further information please check: [home-connect.com](http://home-connect.com).

### Cooling

No-Frost technology with fast cooling. Temperature adjustable from 35°F to 46°F (from +2°C to +8°C).  
3 safety glass shelves, white glass, 2 of which are individually adjustable in height.  
Brilliant LED light spots with warm white, glare-free light.  
Flat door rail system with fully flexible positioning of door racks.  
3 height adjustable door racks, 1 of which is extra deep.  
Net volume 14 cu.ft.

### Fresh cooling close to 32°F (0°C)

1 fully extendable fresh cooling drawer close to 32°F (0°C) with transparent front, illuminated.  
Cushioned closing system.  
Temperature can be adjusted manually.  
Ideal for meat, fish and poultry.

### Optional accessories

#### RA 430 100

Storage container with transparent lid, anthracite

#### RA 450 000

Mechanical particle filter.

#### RA 450 010

Activated charcoal filter for water filter system including saturation indicator.

### Fresh cooling

1 fully extendable fresh cooling drawer with transparent front, illuminated.  
Cushioned closing system.  
Humidity can be adjusted manually.  
Ideal for fruit and vegetables.

### Freezing

No-Frost technology with fast freezing at -22°F (-30°C).  
Temperature adjustable from 3°F to -11°F (-16°C to -24°C).  
Freezing capacity 35 lbs. (16 kg)/24 h.  
Storage time after a malfunction 17 h.  
2 fully extendable inside drawers.  
Interior lighting with 2 LED light spots, warm white light.  
Net volume 5.5 cu.ft.

### Ice maker

Integrated in the freezer compartment, with fixed inlet water connection.  
Particle filter for water inlet, integrated in ventilation grill area.  
Can be switched off.  
Ice cube production approx. 2.9 lb (1.3kg)/24 h.  
Removable ice storage container with approx. 6.6 lbs. (3 kg) capacity.

### Consumption data

Energy consumption  
546 kWh/year.  
Noise level 42 dBA.

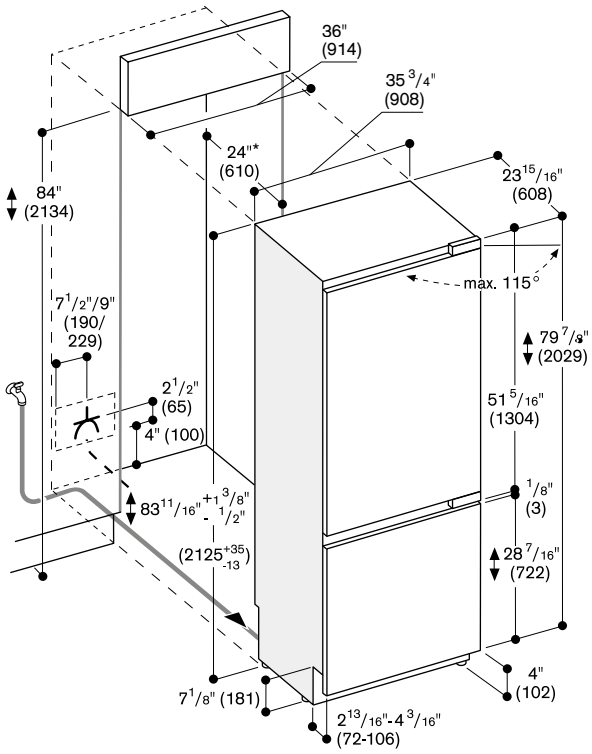
### Planning notes

Flat hinge.  
Door hinge right, reversible.  
Door opening angle of 115°, fixable at 90°.  
Max. door panel weight:  
Door 103 lbs. (47 kg).  
Drawer 22 lbs. (10 kg).  
Shut-off valve for water connection must be planned next to the appliance and always be accessible.  
If the water pressure exceeds 116 psi, connect pressure relief valve between water tap and hose set.

Please read additional planning notes on page 242 – 251.

### Rating

Total rating: 1.496 kW/24h.  
Total Amps: 15 A.  
120 V / 60 Hz  
Connecting cable 118" (3m), detachable.  
Water inlet.  
Supply hose 51" (1.3 m) with ¼" male compression fitting (standard icemaker connector).  
Water pressure 29 to 116 psi.



The door face dimensions are designed for a maximum gap of  $\frac{1}{8}$ " (3 mm).  
See more details on page 247.