



Vario 400 series electric grill VR 414

VR 414 611
Stainless steel.
Width 15" (38 cm).

Included accessories

- 1 cast-iron griddle, half size.
- 1 grease collecting insert.
- 2 cast-iron grills.
- 1 lava stone.
- 1 cleaning brush.

Installation accessories

In combination of several Vario cooktops or VL 414 downdraft, connecting strips must be used. Choose respective VA 420 strip from one of the below, depending on type of installation.

VA 420 004

Invisible connection strip for combination with other Vario 400 series flush mounting.

VA 420 010

Connection strip for combination with other Vario 400 series appliances for surface mounting.

VA 440 010

Stainless steel appliance cover with mounting strip.
Only available for individual Vario installation.

Optional accessories

LV 030 000

Lava stones for refilling.

Additional connection cables for connecting the electronic control knobs (optional)

Part no. 12013604

1 ft (0.3 m) connection cable.

Part no. 12013606

3 3/8" ft (1 m) connection cable.

Part no. 12013607

5 ft (1.5 m) connection cable.

Combinable with:

2x VL 414 712
AL 400 792 / AL 400 722
AW 442 720
AF 210 791

Good to know:

Wall installations require the hood to be as large as the cooktop(s). Island installations require the hood to be larger than the cooktop(s).

Important note:

If paired with VL414712, for best performance it's recommended to place a VL on each side of the electric grill.

Highlights

- Two zones can be operated together or separately.
- Half size cast-iron griddle included for simultaneous searign and grilling on two separate surfaces.
- Open cast-iron grill, lava stones.
- Solid stainless steel control knobs.
- Precision crafted 1/8" stainless steel frame.
- For surface-mount installation with a visible edge or for flush installation.
- Can be perfectly combined with other Vario 400 series appliances.
- Not recommended for recirculating ventilation.

Operation

Control knobs with illuminated ring, cooking zone and output level markings.
Electronic control in 12 output levels.

Features

Cooktop, lava stone trough and grease collecting insert from stainless steel.

Two zones, each 1500 W, can be operated together as a complete surface or each halve separately.
Two-part cast grill.

Safety

Safety shut-off.
Pre-heat and residual heat indicator.

Planning notes

If using the VL414 downdraft for ventilation, the Vario electric grill must be placed between two VL downdrafts. Recirculation is not recommended. Depending on the type of installation (surface-mounted or flush-mounted, with or without an appliance cover), the specific location of the cut-out and the knob positions may vary.

If installing with the appliance cover VA 440 take into account the additional space required for the depth.

If combining several Vario 400 series appliances, a connection strip VA 420 must be placed between the appliances. Depending on the type of installation, the corresponding connection strip must be provided. The bearing capacity and stability, in the case of thin countertops in particular, must be supported using suitable substructures. Take into account the appliance weight and additional loads.

Additional instructions for flush mounting:

Installation is possible in countertops made of stone, synthetics or solid wood.

Minimum countertop thickness 3/4" (20 mm) for surface mounted installation. Minimum countertop thickness 1 3/16" (30 mm) for flush installation.

Heat resistant and watertight sealing of the cut edges must be observed. For a suitable heat resistant filler please consult the countertop manufacturer.

The groove must be continuous and even, so that uniform placing of the appliance on the gasket is ensured. Do not use discontinuous lining.

The joint width may vary due to size tolerances of the combinations and of the countertop cut-out.

If installing several appliances in individual cut-outs, allow for a minimum distance of 1 5/16" (50 mm) between the cooktops.

A minimum lateral clearance of at least 4" from adjacent heat-sensitive cabinets or from the wall must be observed.

Recirculation is not recommended for the electric grill.

It is recommended that the electric grill is installed, if possible, in the center of the cooktop configuration and not at the edge.

Appliance can be snapped into the countertop from above.

Appliance weight: approx. 57.3 lbs.

Rating

Rating: 3,000 W.

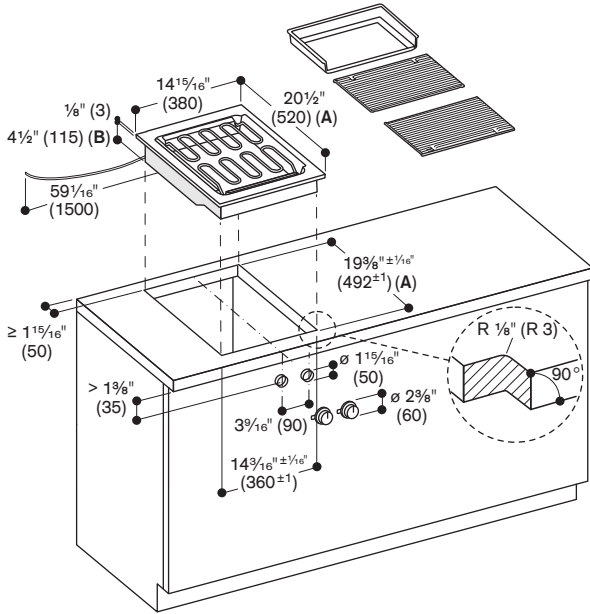
Minimum fuse protection: 16 A.

Electrical: 208 / 220-240 V / 60 Hz.

Electrical connection:

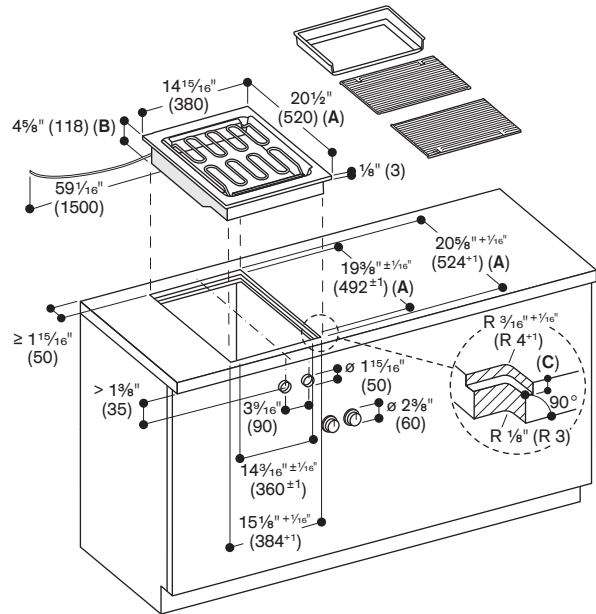
Hardwire required, 59" cable length.

Surface-mount Installation



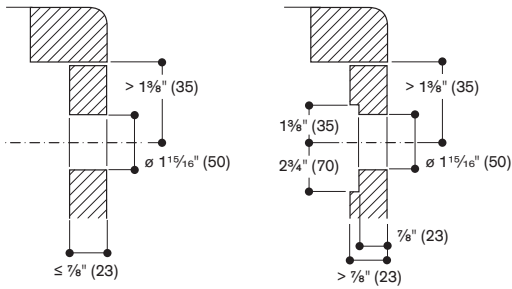
Minimum countertop thickness $\frac{3}{4}$ " (20 mm) for surface mounted installation. See separate planning notes on page 104.

Flush-mount Installation

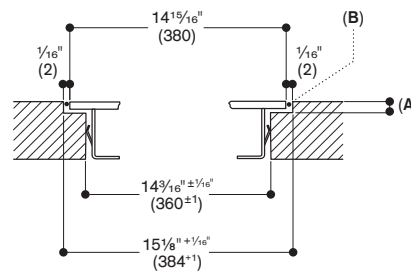


Minimum countertop thickness $1\frac{1}{8}$ " (30 mm) for flush installation. See separate planning notes on page 106.

Installation of the control knob

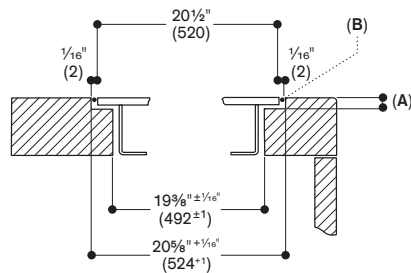


Longitudinal section



A: $\frac{1}{8}$ " (3.5-0.5)
B: Fill with silicone

Cross-section



When installing a single Vario with an appliance cover, see separate planning notes on page 109.

A: $\frac{1}{8}$ " (3.5-0.5)
B: Fill with silicone

Numbers indicated inside parenthesis () = mm

www.gaggenau.com/us
Revised: March 2025

Gaggenau reserves the absolute and unrestricted right to change product materials and specifications, at any time, without notice. Consult the product's installation instructions for final dimensional data and other details prior to making cutout. Warranties: Please see Use & Care manual or Gaggenau website for statement of limited product warranty. For more information on our entire line of products, go to www.gaggenau.com or call 1-877-442-4436.