



## 400 series vacuuming drawer DV 461

### DV 461 710

Stainless steel-backed glass front  
Width 24" (60 cm), Height 5 1/2" (14 cm)

### Included accessories

- 1 vacuuming bag, small (50 pcs.)
- 1 vacuuming bag, big (50 pcs.)
- 1 raised vacuuming platform
- 1 adapter for vacuuming outside the chamber
- 1 vacuuming hose
- 1 adapter for bottle plugs
- 3 plugs for vacuuming of bottles

### Optional accessories

#### Part No. 00578813

Vacuuming bags, small  
7" x 11", 100 pcs.

#### Part No. 00578814

Vacuuming bags, large  
9 1/2" x 14", 100 pcs.

- Integrable in 5 1/2" high cut-out
- Hygienic stainless steel vacuuming chamber, applicable height up to 3 3/32"
- 3 vacuuming levels for vacuuming in the chamber, max. 99%
- 3 vacuuming levels for vacuuming outside the chamber, max. 90%
- Automatic connection recognition for vacuuming outside the chamber
- Handleless drawer
- Cushioned closing system
- Net volume 0.25 cu.ft.

### Application

- Vacuuming for sous-vide cooking.
- Vacuuming for fast marinating and flavoring.
- Vacuuming for extended storage.
- Vacuuming of vacuuming containers outside the chamber.
- Resealing bottles outside the chamber.

### Operation

- Touch key operation.
- Recessed grip at the front bottom of the drawer.

### Features

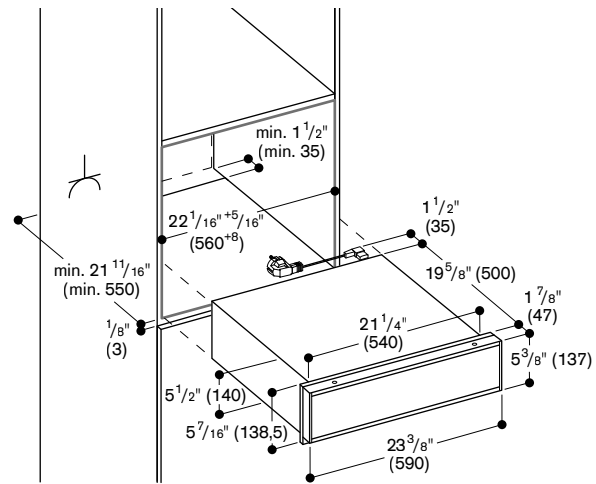
- Capacity load max. 22 lbs.
- Maximum size of vacuuming bags W 9 1/2" x L 14".
- 3 heat-sealing levels for different strengths of bag material.
- Sealing bar, non-stick coating, removable.
- Safety glass cover, opens automatically after vacuuming.
- Raised vacuuming platform, 1 3/4", deployable.
- Utility space in vacuuming chamber, W 8 1/4" x L 10 3/4".
- Membrane for avoiding reflow of liquids during vacuuming outside the chamber.
- Drying program for vacuuming pump.
- Warning function.

### Planning notes

- The front of the appliance extends 1 7/8" from the cabinet front.
- Installation of BS Combi-steam oven/ BM Combi-microwave oven/ CM espresso machine directly above drawer in 24" cutout without a partition shelf in between.
- Built-in under countertop or in single cut-out.
- When mounting the drawer below the 400 series Combi-steam oven, plan a recess of at least 1 3/8" between the back wall and the drawer to allow for the inlet and outlet hose to be installed appropriately.
- The electrical outlet can be planned behind the appliance.

### Rating

- Total rating: 320 W.
- Total Amps: 5 A.
- 120 V / 60 Hz
- Connecting cable 59" with plug.



Side view of DV 461 below BS Combi-steam oven, BM Combi-microwave oven, CM espresso machine

