



200 series Combi-microwave oven BMP 250/BMP 251

Discontinued without replacement in December 2025.

Controls on top Right-hinged

BMP 250 710
Full glass door in Gaggenau Metallic.
Width 24" (60 cm).

Left-hinged

BMP 251 710
Full glass door in Gaggenau Metallic.
Width 24" (60 cm).

Included accessories

- 1 combination wire rack.
- 1 glass tray.

Highlights

- Flush installation.
- Single operation and combination of microwave, grill and oven.
- Sequential operation of up to five modes including programming of combined operation and rest time.
- TFT touch display.
- Electronic temperature control.
- Net volume 1.3 cu.ft.

Cooking modes and programs

Microwave operation with 5 output levels: 1000, 600, 360, 180, 90 W.
Oven operation with 4 heating methods:

- Convection at 100 °F and from 210 °F - 480 °F.
- Broil + convection from 210 °F - 480 °F.
- Broil + circulated air from 210 °F - 480 °F.
- Broil with 3 levels of intensity, maximum output 2000 W.

Heating modes with microwave output levels 600, 360, 180 and 90 W freely combinable.
15 automatic programs with weight indication, fully customizable:

- 4 defrosting programs.
- 4 cooking programs.
- 7 combination programs.

Option to save individual recipes.

Operation

Rotary knob and TFT touch display operation.
Clear text display in 25 languages.
Information key with use indicators.
Side-opening door opens up to 110° angle.

Features

Innowave.
Fast pre-heating.
4 rack levels.
Actual temperature display.
60 W halogen light on the side.

Safety

Thermally insulated door with triple glazing.
Child lock.
Safety shut-off.
Cooled housing with temperature protection.

Cleaning

Hygienic stainless steel interior with glass ceramic base.
Interior back wall with catalytic coating.

Planning notes

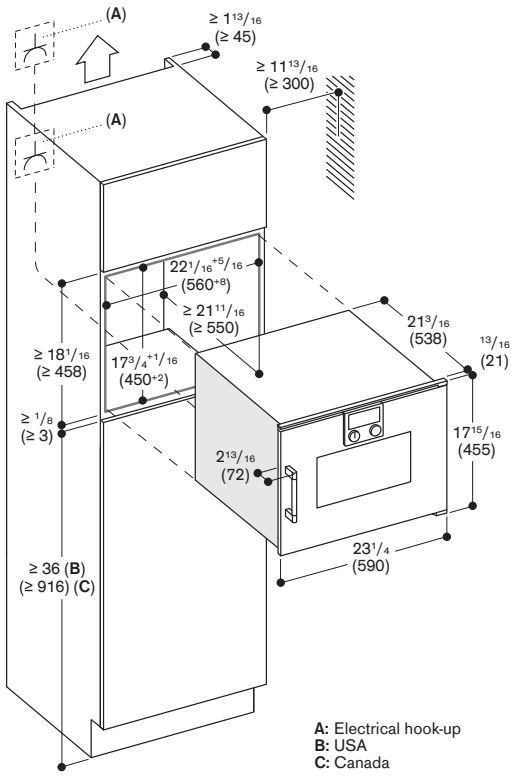
Door hinge not reversible.
Plan the cut-out without back wall.
Necessary lateral gap between appliance door and cabinet panel of min. 3/16".
The door panel surface of the appliance extends 13/16" from the cabinet carcass.
The outer edge of the door handle extends 2 13/16" from the cabinet front.
Consider the overhang, including the door handle, when planning to open drawers next to the appliance.
When planning a corner solution, pay attention to the 110° door opening angle.
The electrical outlet needs to be planned outside of the cut-out.
The appliance may not be installed less than 36" (916 mm) from the floor in Canada.

Please read additional planning notes on pages 64-65.

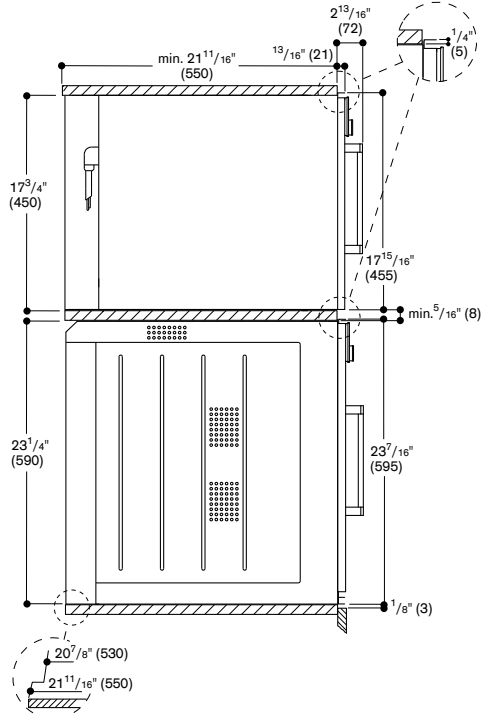
Rating

Total rating: 3,100 W.
Total Amps: 20 A (Double pole 20 amp breaker).
120/208-240V, 60Hz (4 Wire)
Plan for a 59 1/16" connection cable without a plug (hardwire required).





BMP Combi-microwave oven over BOP single oven



Numbers indicated inside parenthesis () = mm

www.gaggenau.com/us
Revised: March 2025

Gaggenau reserves the absolute and unrestricted right to change product materials and specifications, at any time, without notice. Consult the product's installation instructions for final dimensional data and other details prior to making cutout. Warranties: Please see Use & Care manual or Gaggenau website for statement of limited product warranty. For more information on our entire line of products, go to www.gaggenau.com or call 1-877-442-4436.