



400 series Combi-microwave oven
BM 484/BM 485

Controls at the bottom

Right-hinged

BM 484 710
 Stainless steel-backed full glass door.
 Width 30" (76 cm).

Left-hinged

BM 485 710
 Stainless steel-backed full glass door.
 Width 30" (76 cm).

Included accessories

- 1 combination wire rack.
- 1 glass tray.

Highlights

- Handleless door/automatic door opening.
- Single operation and combination of microwave, grill and oven.
- Sequential operation of up to five modes including programming of combined operation and rest time.
- TFT touch display.
- Centralized controls for easy use and intuitive operation.
- Electronic temperature control.
- Net volume 1.3 cu.ft.

Cooking modes and programs

Microwave operation with 5 output levels: 1000, 600, 360, 180, 90 W.
 Oven operation with 4 heating modes:
 — Convection at 100 °F and from 210 °F - 480 °F.
 — Broil + convection from 210 °F - 480 °F.
 — Broil + circulated air 210 °F - 480 °F.
 — Broil with 3 levels of intensity, maximum output of 2000 W.
 Heating modes with microwave output levels 600, 360, 180 and 90 W, freely combinable.
 15 automatic programs with weight indication, customizable:
 — 4 defrosting programs.
 — 4 cooking programs.
 — 7 combination programs.
 Option to save individual recipes.
 Sabbath mode with constant temperature of 185 °F.

Operation

Automatic door opening.
 Rotary knobs and TFT touch display operation.
 Clear text display in 25 languages.
 Information key with use indicators.
 Side-opening door opens up to 180° angle.

Features

Innwave.
 Fast heating setting.
 4 rack levels.
 Actual temperature display.
 2x 60 W halogen light (one on each side).

Safety

Thermally insulated door with triple glazing.
 Child lock.
 Safety shut-off.
 Cooled housing with temperature protection.

Cleaning

Hygienic stainless steel interior with glass ceramic base.
 Interior back wall with catalytic coating.

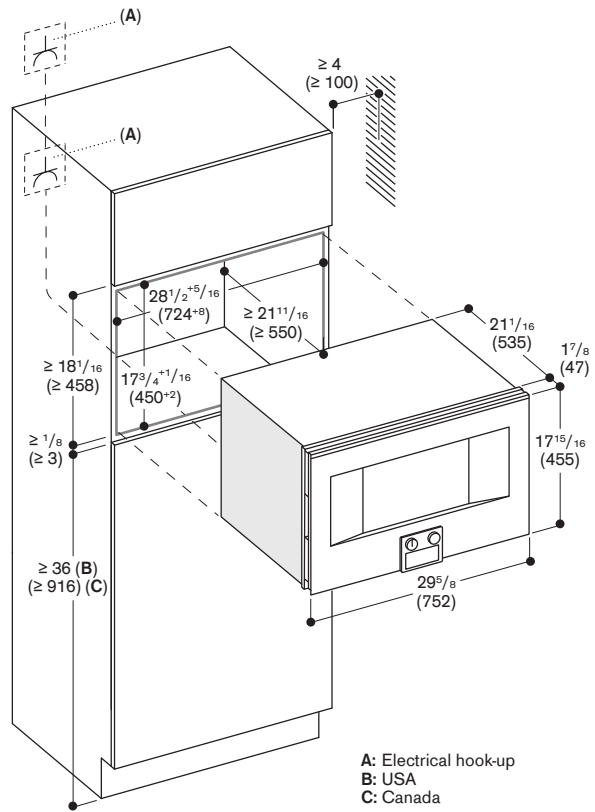
Planning notes

Door hinge not reversible.
 Plan the cut-out without back wall.
 The front of the appliance extends 1 7/8" from the cabinet carcass.
 Consider the overhang when planning to open drawers next to the appliance.
 When planning a corner solution, pay attention to the 110° door opening angle.
 The electrical outlet needs to be planned outside of the cut-out.
 The Combi-microwave oven may not be installed less than 36" (916 mm) from the floor in the United States and Canada.

Please read the installation details regarding air openings on pages 12-13.

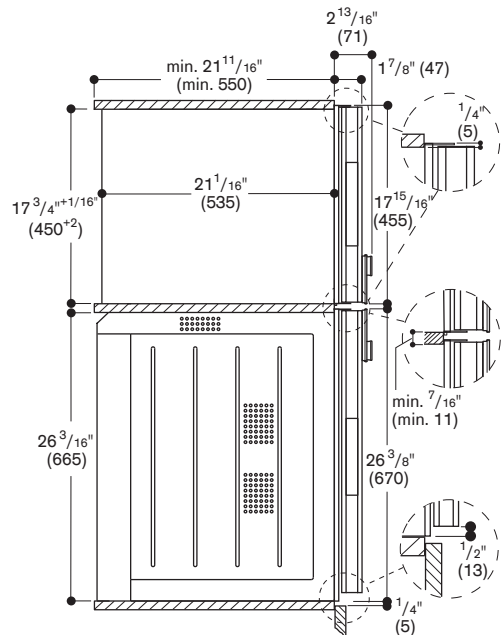
Rating

Total rating 3,100 W.
 Total Amps: 20 A (Double pole 20 amp breaker required).
 120/208-240V, 60Hz (4 Wire)
 Plan for a 59 1/16" connection cable without a plug (hardwire required).



A: Electrical hook-up
B: USA
C: Canada

Side view of BM 484/485 over BO oven



Numbers indicated inside parenthesis () = mm

www.gaggenau.com/us
 Revised: March 2025

