



AW 442 720

Stainless steel
Width 48" (120 cm)
Air extraction/Air recirculation
Without blower. (Choose from 400 series AR400743 internal, AR400742 inline or AR401742 remote blower.)
Duct cover not included.

AW 442 760

Stainless steel
Width 63" (160 cm)
Air extraction/Air recirculation
Without blower. (Choose from 400 series AR400743 internal, AR400742 inline or AR401742 remote blower.)
Duct cover not included.

Installation accessories for air extraction mode

AD 442 012

Stainless steel duct cover, length: 24 7/16", for 7' 9" – 8' 6" ceiling heights (2.35 – 2.60 m).

AD 442 022

Stainless steel duct cover, length: 33 7/8", for 8' 6" – 10' 2" ceiling heights (2.60 – 3.10 m).

Installation accessories for air recirculation mode

AD 442 112

Stainless steel duct cover, length 24 7/16", for 7' 9" – 8' 6" ceiling heights (2.35 – 2.60 m).

AD 442 122

Stainless steel duct cover, length: 33 7/8", for 8' 6" – 10' 2" ceiling heights (2.60 – 3.10 m).

Optional accessories

AA 442 110

2 activated charcoal filter with high efficient odor reduction due to increased surface. For air recirculation module AA 442 810

AD 442 392

Stainless steel ceiling collar, covers screws on duct cover and uneven gaps of ceilings that are not completely flat.

AA 442 810

Air recirculation module inclusive 2 activated charcoal filters with high efficient odor reduction due to increased surface
For air recirculation.
Can be combined with island and wall-mounted hood AI/AW 442.

Combinable with:

All Vario cooktops 400 series
All Vario cooktops 200 series
All cooktops 400 series
All cooktops 200 series

Good to know:

the hood has to be larger than the cooktop(s).

400 series wall hood

AW 442

- Professional technology hood combined with classic Gaggenau design
- Highly efficient extraction of cooking vapors due to a large vapor collection area
- Comes without blower, can be combined with (BLDC) blowers
- Angled baffle filter with high grease absorption
- Automatic function, sensor-controlled power adjustment depending on the build-up of cooking vapors
- Dimmable, neutral white LED lighting for ideal illumination of the cooktop
- Air extraction or air recirculation system
- Air recirculation module with activated charcoal filter: quiet and highly efficient recirculation solution with odor reduction as in air extraction mode, and long replacement intervals.

Features

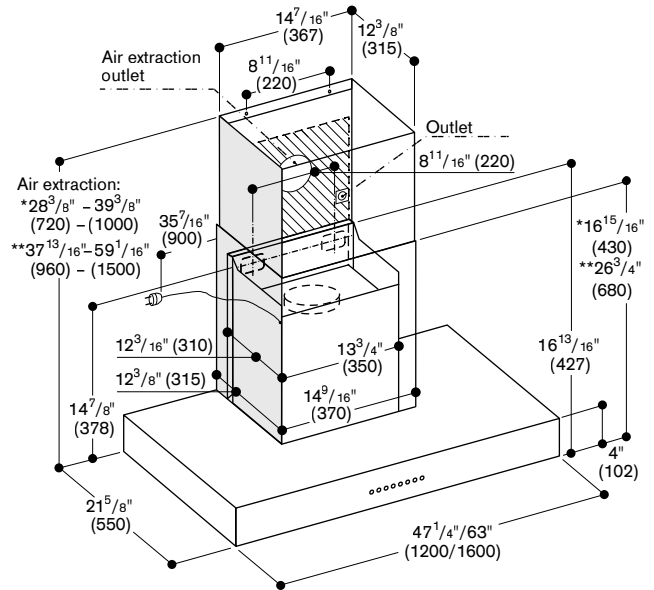
2 control panels.
3 electronically controlled power levels and 1 intensive mode.
Automatic function with sensor-controlled run-on function.
Grease filter saturation indicator.
Baffle filter, dishwasher-safe.
Neutral white surface LED light (3,500 K), continuously dimmable.
Lamp output 3x 10 W (48") / 4x 10 W (63").
Illuminance 1,110 lx (48") / 1,010 lx (63").
Easy mounting system for simple installation and alignment.

Planning notes

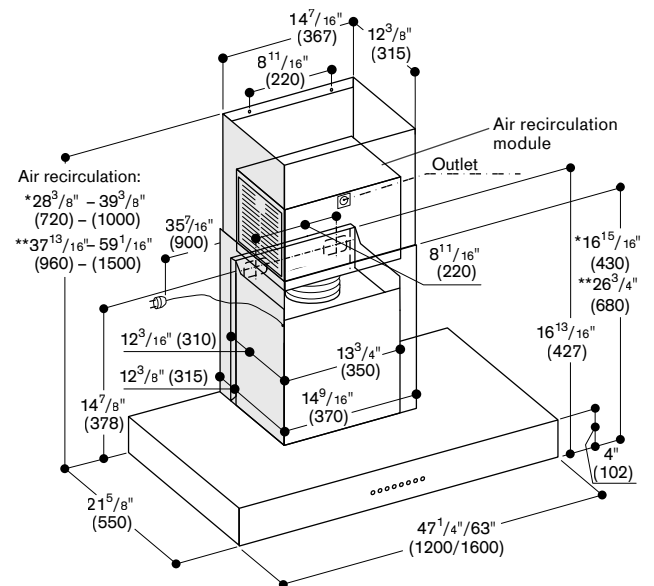
For recirculation, use internal blower AR400743.
The two-part duct cover must be ordered as an installation accessory.
Connection to the respective appliances via network cable.
Minimum clearance above gas or induction cooktops is 30".
Air air recirculation module with 2 activated charcoal filters is installed in the inner duct cover. Special recirculation duct covers are available for this.

Rating

Total rating: 40 W (48") / 50 W (63").
Total Amps: 10 (48") / 15 (63")
120 V / 60 Hz
Connecting cable 35" with plug.



- * With air extraction duct cover AD 442 012 suitable for ceiling heights of 7' 9" (2.35 m) to 8' 6" (2.60 m).
- ** With air extraction duct cover AD 442 022 suitable for ceiling heights of 8' 6" (2.60 m) to 10' 2" (3.10 m); Specifications refer to a distance from floor to lower chimney edge of 5' 2" (1.60 m).



- * With air recirculation duct cover AD 442 112 suitable for ceiling heights of 7' 9" (2.35 m) to 8' 6" (2.60 m).
- ** With air recirculation duct cover AD 442 122 suitable for ceiling heights of 8' 6" (2.60 m) to 10' 2" (3.10 m); Specifications refer to a distance from floor to lower chimney edge of 5' 6" (1.60 m).

Air recirculation module AA 442 810

