



AR 400 742  
Metal housing  
482 CFM  
Air extraction  
Inside installation

## 400 series inline blower AR 400

- Powerful blower to combine with 400 series ventilation systems such as AL 400 retractable downdraft, VL 414 downdraft and AW/AI 442 professional wall/island hood.
- Quiet blower with high-efficiency BLDC technology.

### Output

3 performance output levels and intensive mode.  
Sound power and sound pressure depending on built-in situation.  
Air extraction: 482 CFM.  
Power levels depend on the ventilation system.

### Features

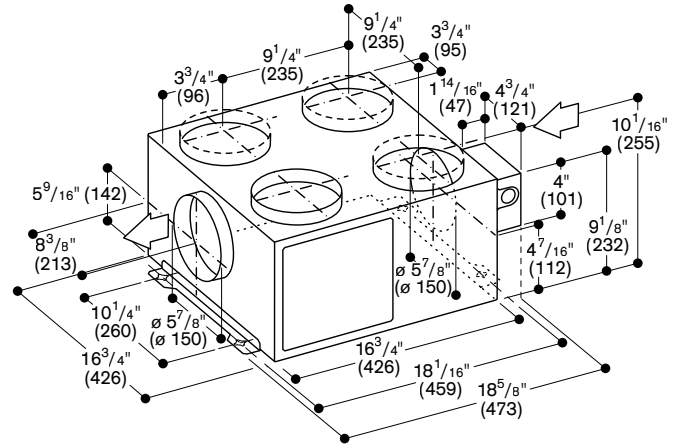
3 electronically controlled power levels and 1 intensive mode.  
Blower technology with highly efficient, brushless DC motor (BLDC).  
Metal housing, zinc-plated.  
Duct connection pieces on air intake side: 1x  $\varnothing 6''$  round, 4x  $\varnothing 6''$  round.  
Duct connection piece on output side: 1x  $\varnothing 6''$  round.  
Spare cover for closing an air intake is included.  
Retaining bracket for ceiling installation or installation on the inner side of a cabinetry is included.

### Planning notes

AR400742 inline blower can only be combined with 400 series ventilation systems such as AL 400 retractable downdraft, VL 414 downdraft and AW/AI 442 professional wall/island hood.  
Connection to the respective appliances via network cable.  
Installation in the base cabinet: possible in areas with two cabinet drawers or on the floor with a cut-out in the base cabinet. Panel-free toe-kick possible.  
Installation in a separate room, attic or crawl space allows for a reduced noise level in the kitchen.

### Rating

Total rating: 210 W.  
Total Amps: 2 A.  
120 V / 60 Hz  
Connecting cable not included.  
Hard wire required.  
16'' network cable included.



5x  $\varnothing 6''$  ( $\varnothing 150$ )  
2 connecting pieces included