

Planning notes for the recommended installation of 400 series ovens

Applies to BO/BX/BS/BM/CM/DV/WS

General notes

Installation behind kitchen cabinet doors

Appropriate measures must be taken to prevent these types of doors from closing when the appliance is heating or while it is cooling down (fan operation). Please check your local regulations.

Installation side-by-side

When appliances are installed side by side, the clearance between the appliances must be at least $\frac{3}{8}$ " (corresponds to the standard outside measurement of the cabinet opening of $23\frac{5}{8}$ " or 30"). For best possible door opening, the door hinges need to be placed outside in order to use the full available door opening angle. (see picture to the right).

Please note: When Sabbath mode is engaged, the automatic door release is deactivated.

Necessary air openings on the door edges

Gaggenau 400 series ovens are supplied with fresh air for cooling at the top edge and side edges of the door. Hot air is blown out at the door bottom edge. Combi-steam ovens and Combi-microwave ovens have the air inlet at the side edges of the door and the hot air and steam outlets at the top edge of the door.

In order to prevent appliances from overheating and to ensure that they cool down as required after operation, appropriate minimum cross sections of free space must be maintained from kitchen cabinet edges.

The measurements given in the drawing apply to all appliances. The following must also be observed:

The area above the appliances

BS:

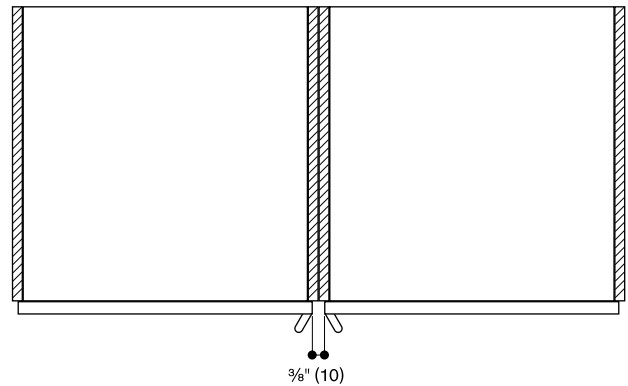
No other electrical appliances should be installed above the BS Combi-steam oven. It is recommended that a horizontal handle is not fitted on cabinet above the BS. Where an edge of a kitchen cabinet protrudes more than $1\frac{3}{16}$ " in front of the edge of the cabinet opening, the edge of the kitchen cabinet panel must be steam resistant as is the case above a dishwasher. Steam may possibly penetrate into the shelf compartment.

The area below the appliances

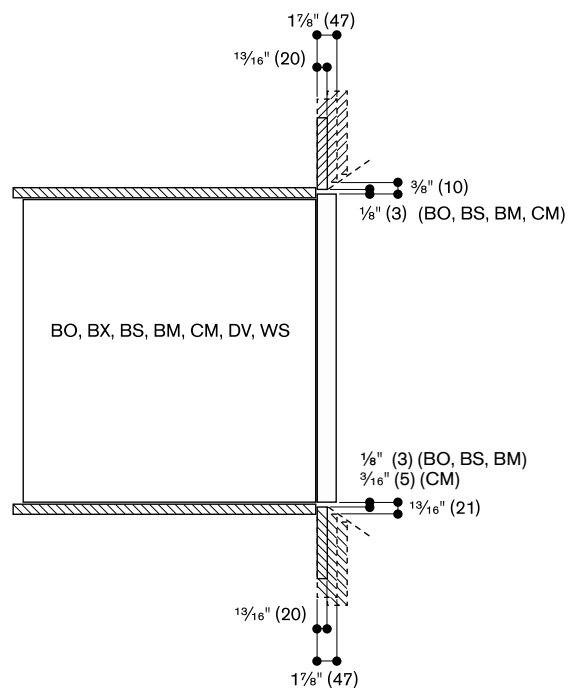
DV/WS:

It must be ensured that there is sufficient access to the lower edge of the vacuuming drawer and warming drawer, if the thickness of the kitchen cabinet door is greater than $1\frac{3}{16}$ " (20 mm) in front of the cabinet opening.

Installation side-by-side



Air openings on the door edges above/below

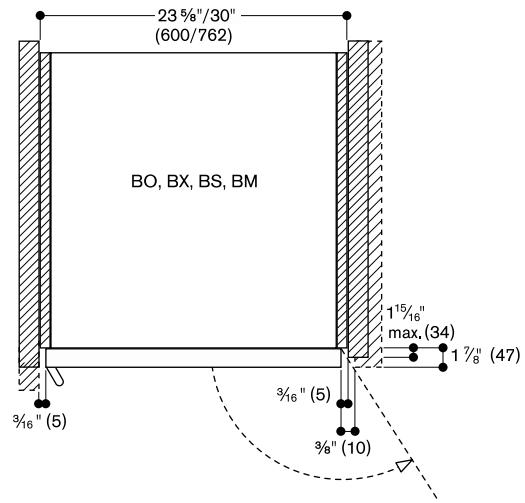


At the sides

In situations where kitchen cabinet doors are thicker, or where sidewalls protrude up to $1\frac{5}{16}$ " from the front of the edge of the cabinet opening, the minimum distance on the hinge side is sufficient for the air supply and a door opening angle of 120° . Above that, a distance of $\frac{3}{8}$ " or even more is required.

The handle side may, if required, be covered by a side panel provided that the minimum distance is maintained.

Air openings on the door edges

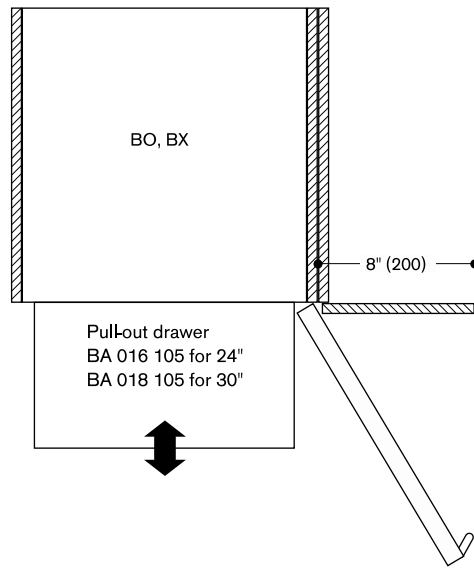


Installation in corners

Door clearance at the sides

When the pull-out drawer is used, a larger door opening angle of $7\frac{7}{8}$ " is required. For all other situations, $3\frac{15}{16}$ " is recommended. Where there are smaller side clearances down to a minimum of $1\frac{15}{16}$ ", restrictions in handling hot baking trays should be expected and the user-friendliness of the side-opening door can not be taken for granted.

Installation in corner situation



Installation next to cooling appliances

When installing a 400 series Vario cooling appliance next to a 400 series BO/BM/BS/CM appliance, a minimum lateral distance of $1\frac{3}{4}$ " (30 mm) is required.

Planning notes for flush installation of 400 series ovens

Applies to BO/BX/BS/BM/CM/DV/WS

Flush installation

Important notes about flush installation

When appliances are installed flush, the ovens must have a minimum of $\frac{3}{8}$ " (10 mm) reveal in order for proper ventilation to occur. When installed flush, oven doors will be limited to 90 degree opening and not 180 degrees if installed conventionally.

Please note: When Sabbath mode is engaged, the automatic door release is deactivated. Sabbath operation is not possible in this installation.

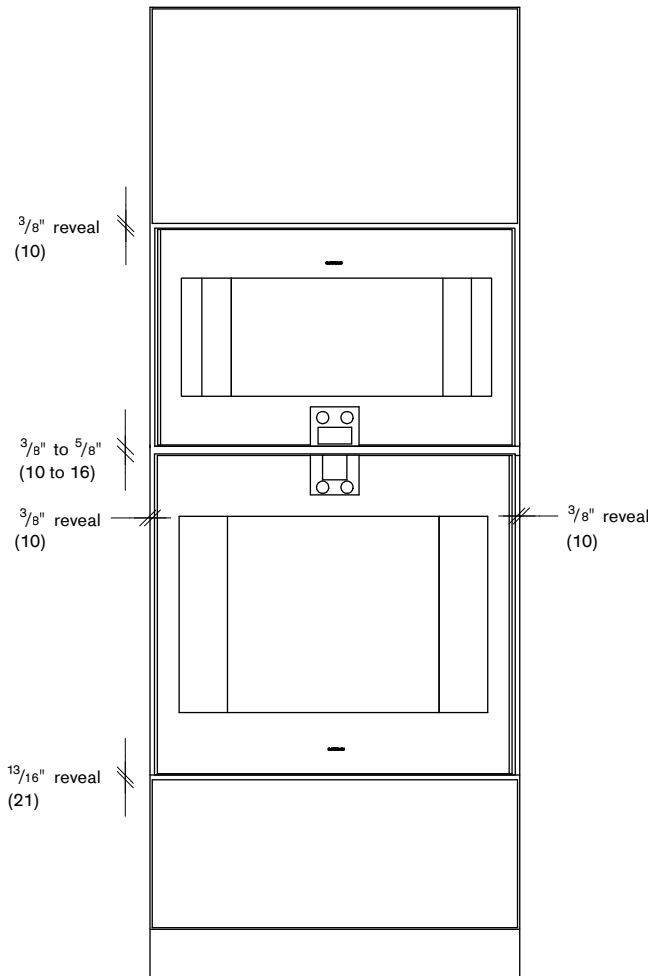
Please note: In order to open the vacuuming and warming drawer please ensure there is sufficient space in between the drawer and the cabinetry underneath.

Proper Ventilation

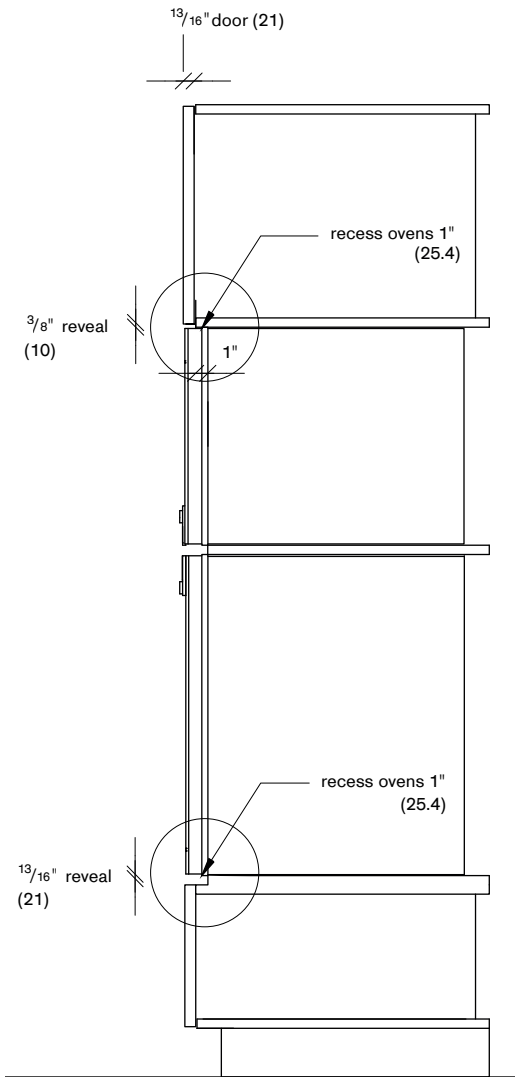
Gaggenau 400 series ovens are supplied with fresh air for cooling at the top edge and side edges of the door. Hot air is blown out at the door bottom edge. Combi-steam ovens have the air inlet at the side edges of the door and the hot air and steam outlets at the top edge of the door.

In order to prevent appliances from overheating and to ensure that they cool down as required after operation, appropriate minimum cross sections of free space must be maintained from kitchen cabinet edges.

BM 484 over BO 480



Elevation



Section

Installation next to cooling appliances

When installing a 400 series Vario cooling appliance next to a 400 series BO/BM/BS/CM appliance, a minimum lateral distance of 1 3/16" (30 mm) is required.