



Dishwasher 200 series
DF 210 / DF 211

- 6 programs with aqua sensor and 3 options, such as Power to reduce the cycle time and Intensive for particularly thorough cleaning in the lower basket
- Flexible basket system
- Bright interior lighting
- Very quiet: 44 dB

Handling

TFT display indicating remaining or end time, refill for salt and rinsing agent, inflow of water.
 Touch key operation.
 Flexible cycle time reduction, even during an active cycle.
 Personalization function for storing individual combinations of programs.
 Temporary noise reduction (only available with active Home Connect functionality).
 Information key with use indications.
 Time delay up to 24 hours.
 Visual and acoustic end of program indicator.
 Info-Light.

Technical Features

Bright interior lighting.
 Glass protection.
 Aqua sensor.
 Load sensor.
 Water softener.
 Detergent recognition.
 Regeneration electronics.
 Heat exchanger.
 Continuous flow heater.
 Triple filter system.
 Soft lock.
 Aqua stop.

Home network integration for digital services (Home Connect) wireless via WiFi.
 The use of the Home Connect functionality depends on the Home Connect services, which are not available in every country. For further information please check: home-connect.com.

Programmes

6 programs:
 Auto 150°F - 160°F.
 Auto 130°F - 150°F.
 Eco 113°F - 131°F.
 Glass Care 122°F.
 Quick wash 113°F (30 min.).
 Personalization function (default setting: Pre-rinse).

3 options:
 Intensive
 Power
 Extra Dry

Features

Flexible basket system.
 Cutlery drawer.

Upper basket:

Over extension.
 Rackmatic with 3 levels, adjustable in height up to 2" (5 cm).
 6 folding spines.
 4 folding racks for optimal protection of glass.

Lower basket:

8 folding spines.
 2 folding racks for optimal protection of glass.
 Dividable glass support.
 Cutlery basket.

Maximum dish sizes for DF 210 (upper/lower rack)
 10.5"/9.8", 9.6"/10.8" or 8.6"/12.2" respectively.

Maximum dish sizes for DF 211 (upper/lower rack)
 11.4"/11", 10.4"/12" or 9.4"/13.3" respectively.

13 place setting capacity.
 Maximum glass loading capacity
 23 wine glasses.

Consumption data

Total annual energy consumption
 269 kWh.
 Noise level 44 dB (re 1 pW).

Planning notes

Height-adjustable feet.
 Appliance toe-kick recess 3 15/16 (100 mm) (see drawing).
 Rear feet adjustable at front.
 Door weight up to 18 lbs. for DF 210 and 22 lbs. for DF 211.
 Door panel dimension dependent on toe-kick height of kitchen cabinetry.

Connection

Total rating: 1.4 kW.
 Total Amps: 12 A.
 120 V / 60 Hz
 Connecting cable 47 1/4" with three-prong plug (NEMA 5-15P).

DF 210 700
 fully integrated (ADA compliant)
 Euro tub, appliance height 32 3/16"

DF 211 700
 fully integrated
 Tall tub, appliance height 34 1/6"

Included in the price
 1 baking tray spray head

Installation accessories

DA 020 010
 Stainless steel trim kit for DF 210 dishwasher

DA 020 110
 Stainless steel trim kit for DF 211 dishwasher

DA 021 000
 Folding hinge extends toe kick for fully integrated look.

DA 231 110
 Stainless steel-backed full glass door panel with handle for DF211 Tall tub dishwasher only.
 Height adjustable by 2".

GH 045 010
 Handle with 2 mounts, stainless steel, for custom panel
 length, 17 1/16",
 drilling distance 16 13/16".

GZ 010 011
 Aqua stop extension 78" (2 m long) for all dishwashers.

Special accessories

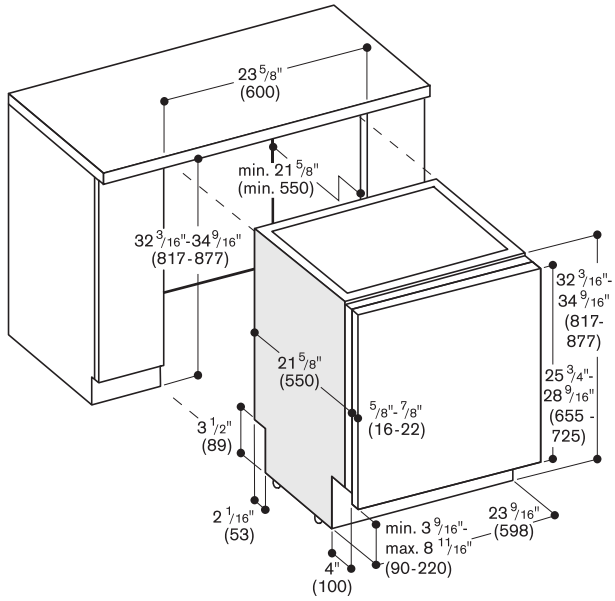
DA 042 030
 Silvercare cartridge for all dishwashers

DA 043 000
 Holder for long-stemmed glasses
 Offers safe positioning for up to four long-stemmed glasses during the dishwashing process and ensures an optimal cleaning result.
 For positioning in the lower basket.

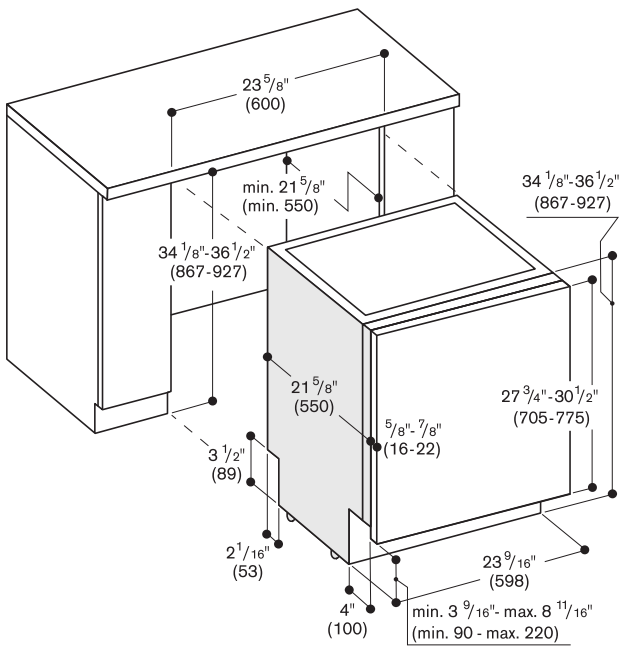
DA 045 060
 Accessory basket.
 3rd loading level above the upper basket.
 For small bowls, cups and cooking utensils.
 Movable knife shelf.
 For use with DF 211 only.



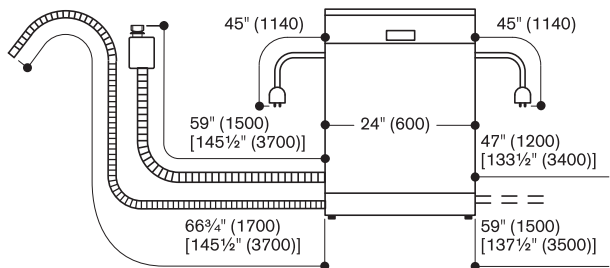
Euro Tub dishwasher DF210



Tall Tub dishwasher DF211



Connection dimensions for a 24" (600 mm) wide dishwasher



[] values with extension kit

Numbers indicated inside parenthesis () = mm