

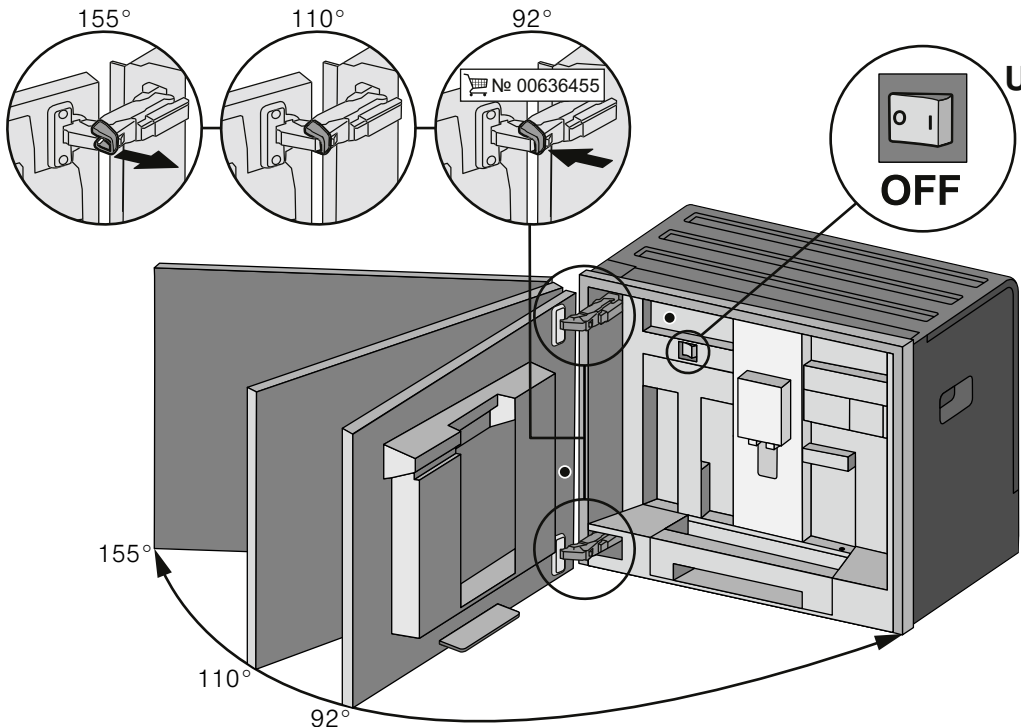
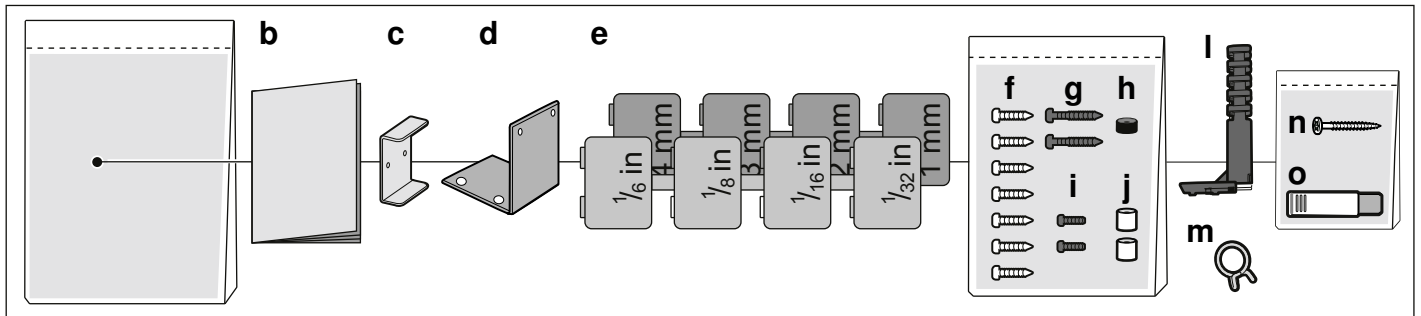
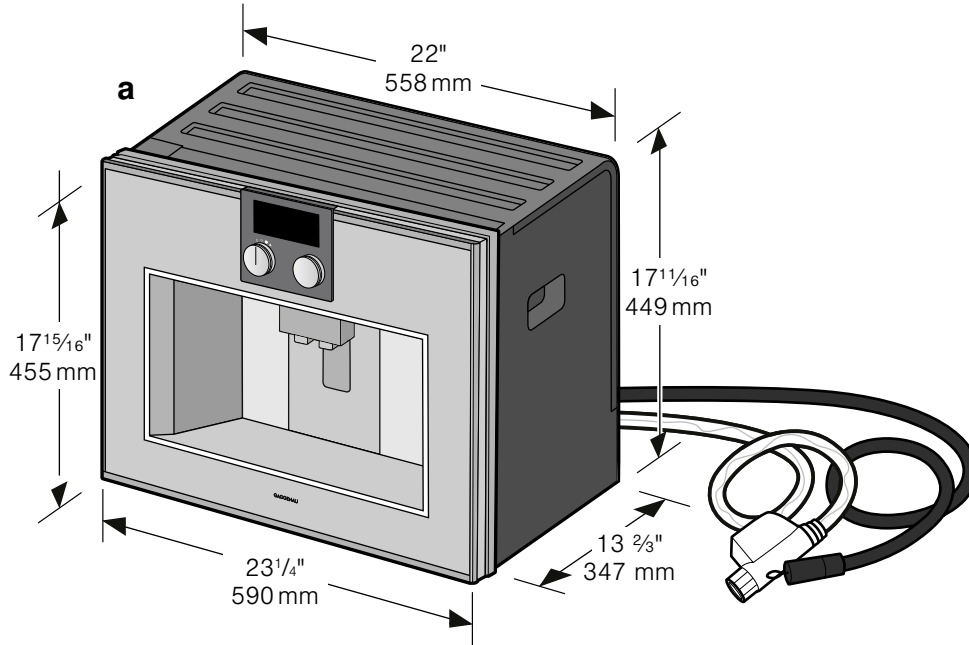
**Gaggenau**

Installation instructions.....9  
Notice de montage ..... 18  
Instrucciones de instalación.....28

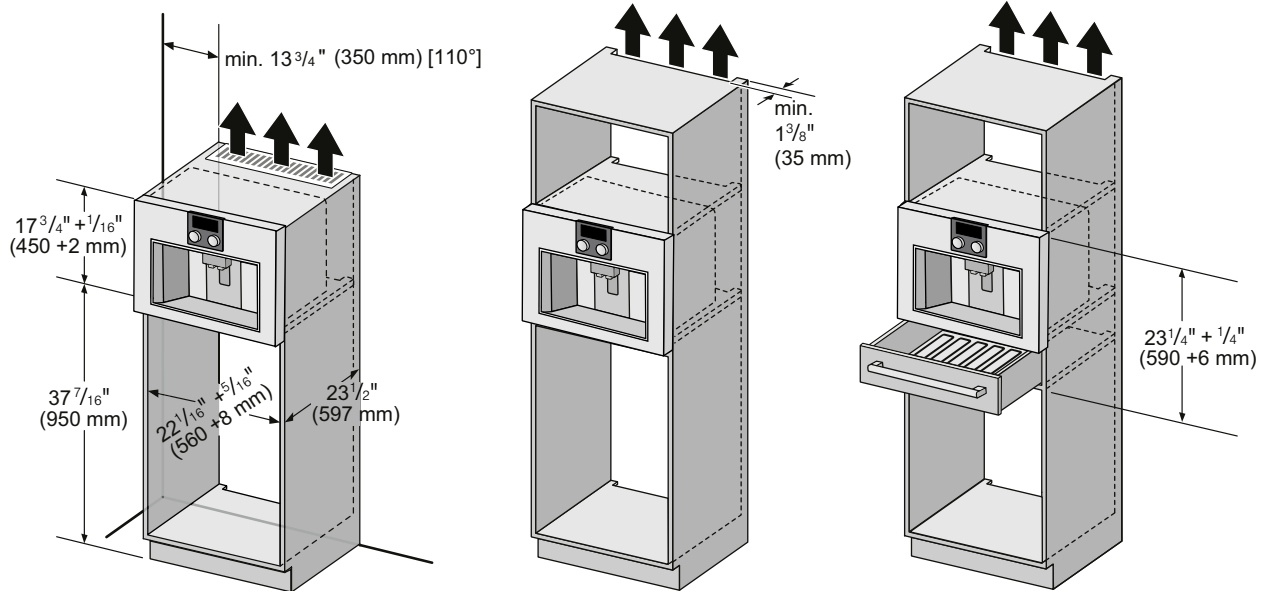
# CM 470711

Fully Automatic Espresso Machine  
Machine à café entièrement automatique  
Cafetera automática

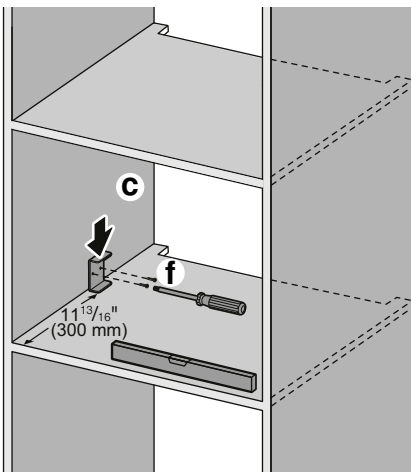
# 1



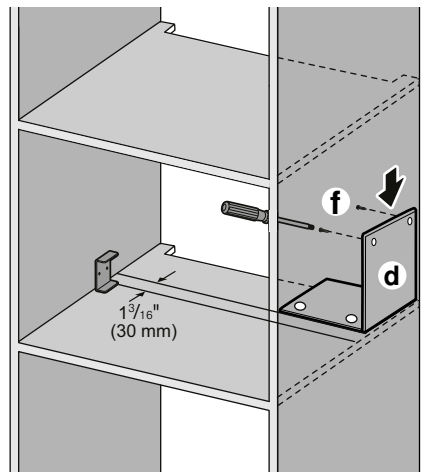
# 2



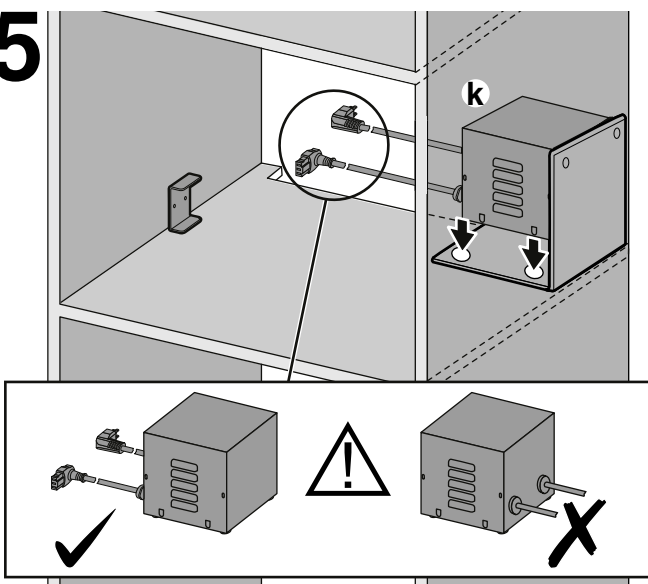
# 3



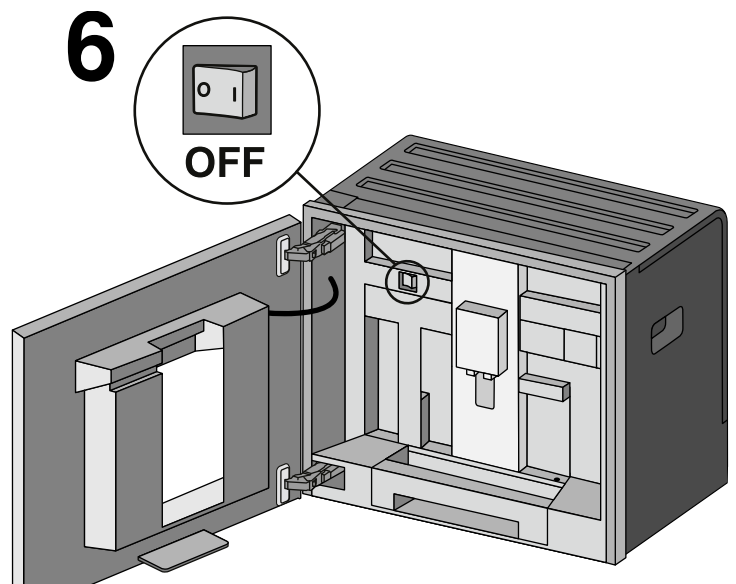
# 4



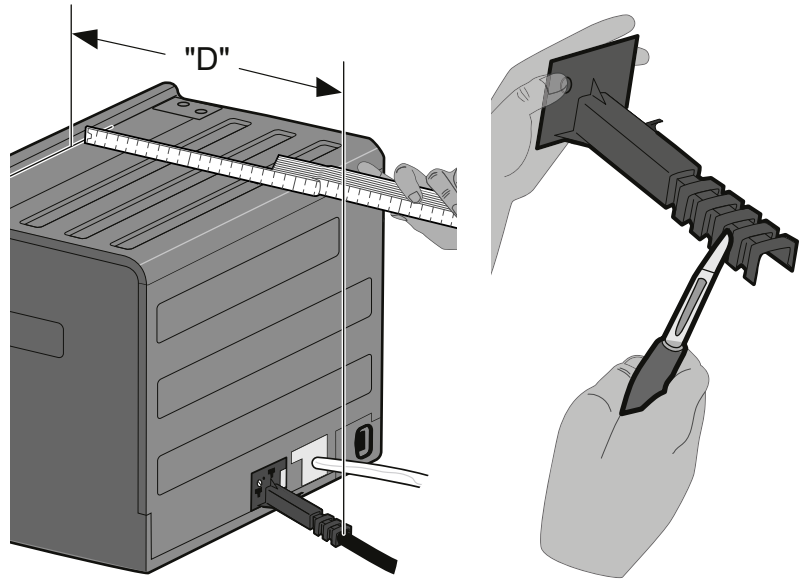
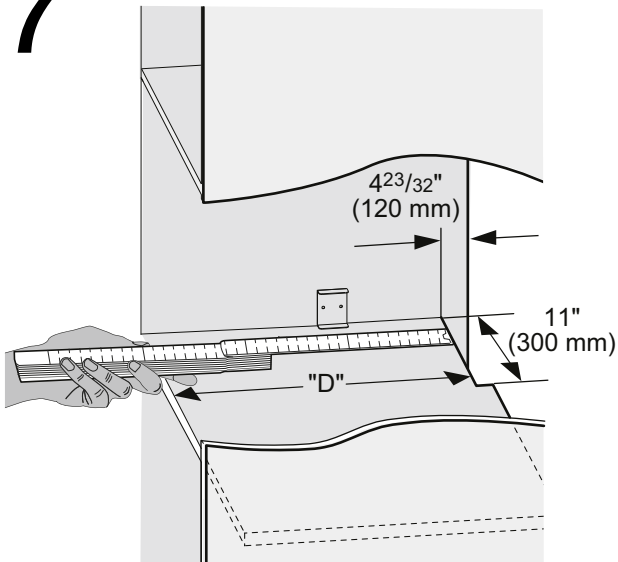
# 5



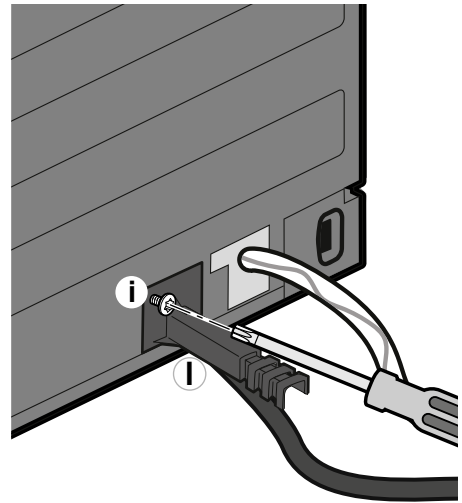
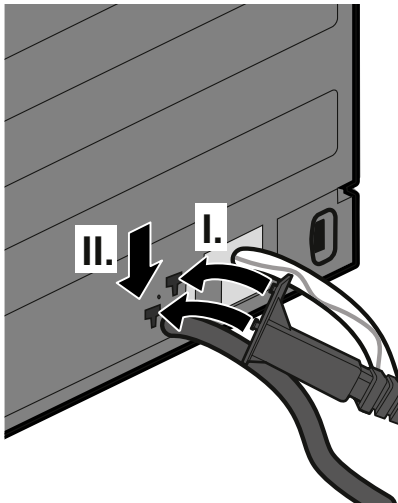
# 6



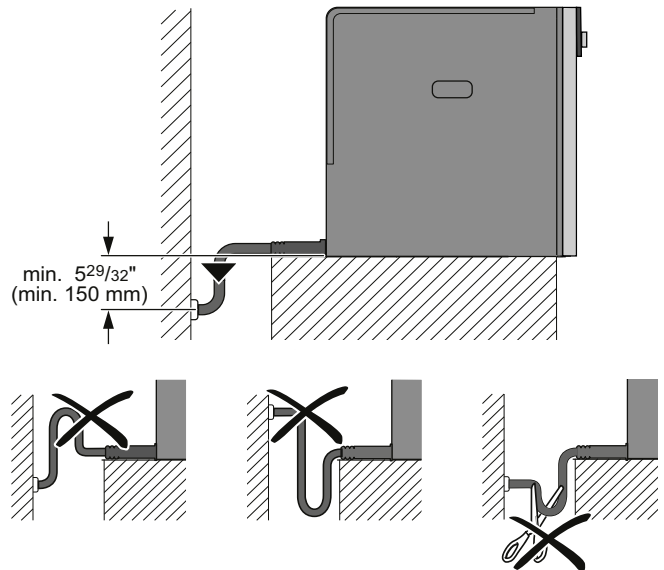
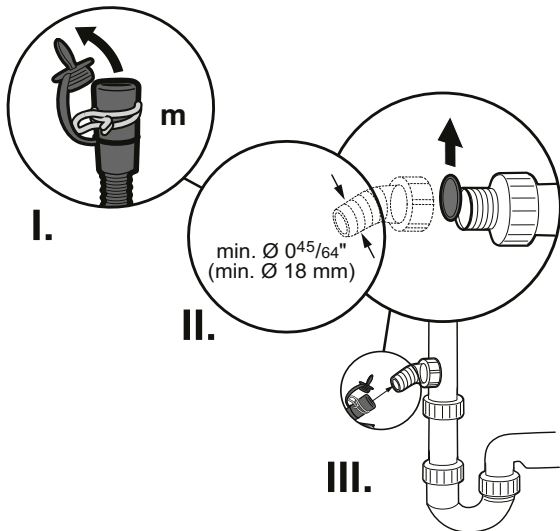
# 7



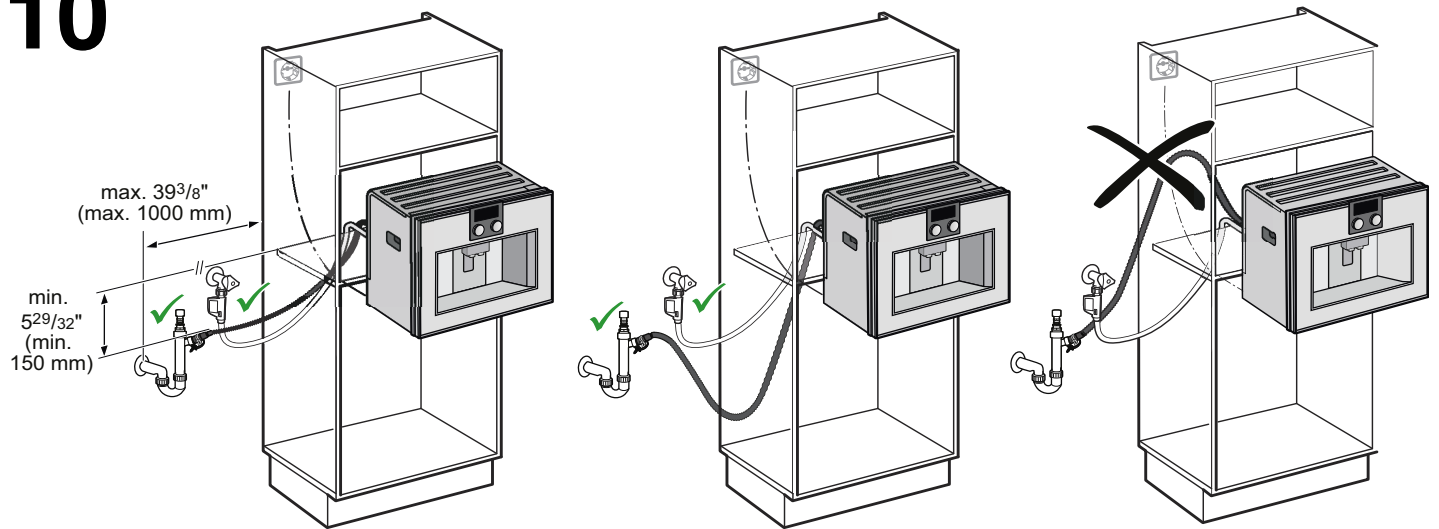
# 8



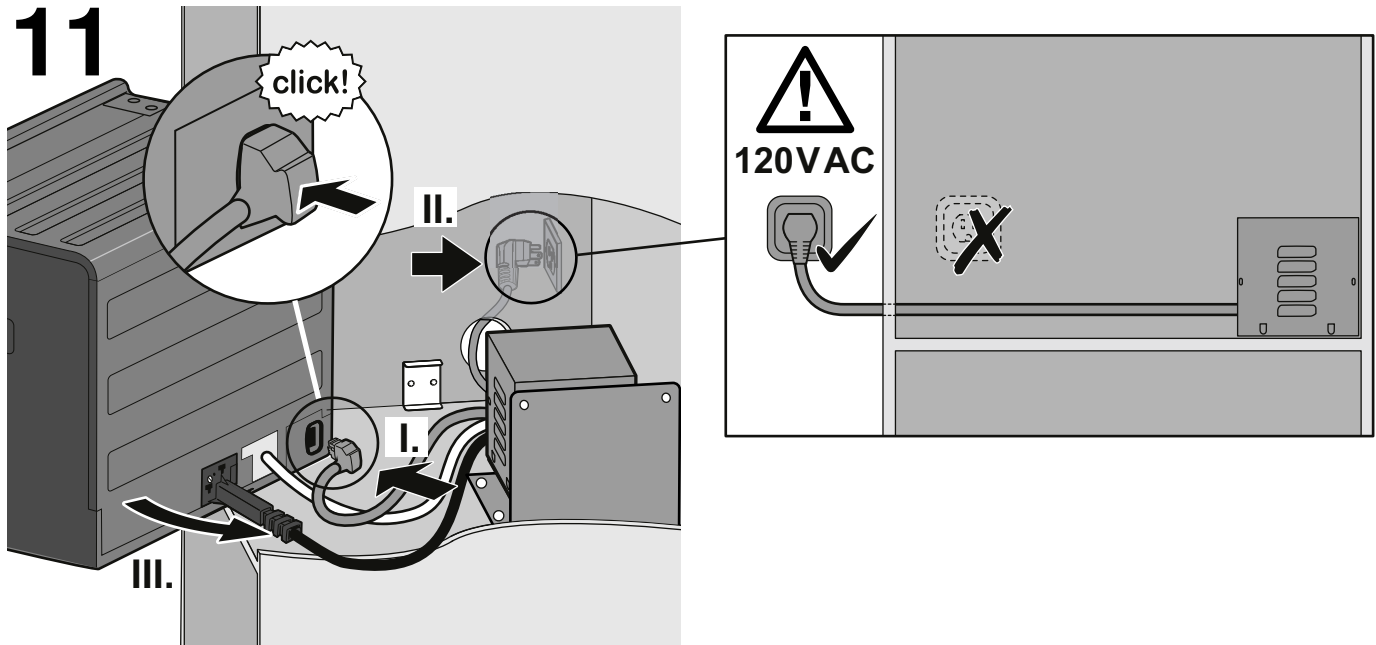
# 9



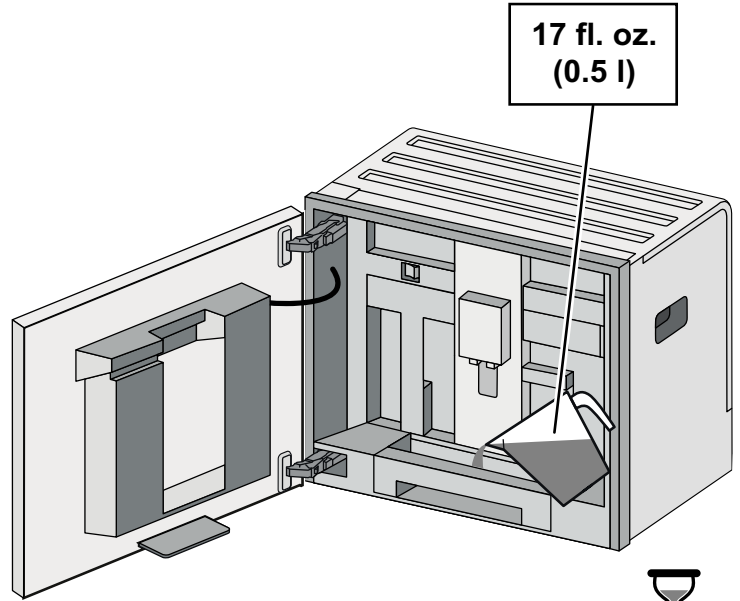
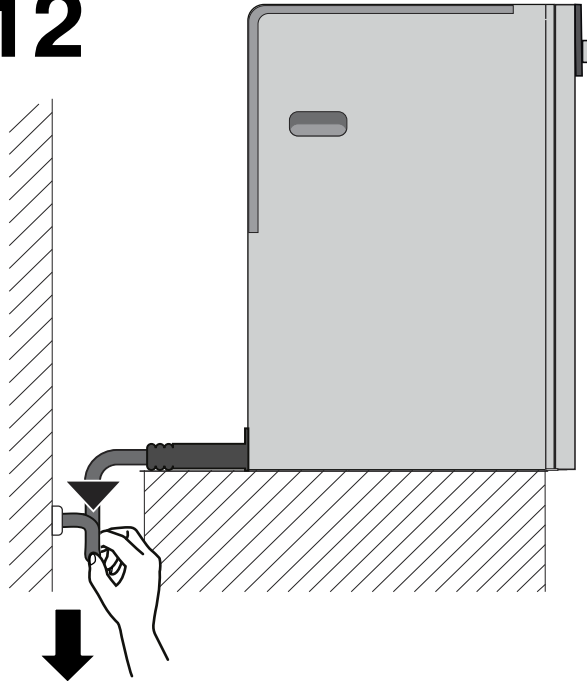
# 10



# 11

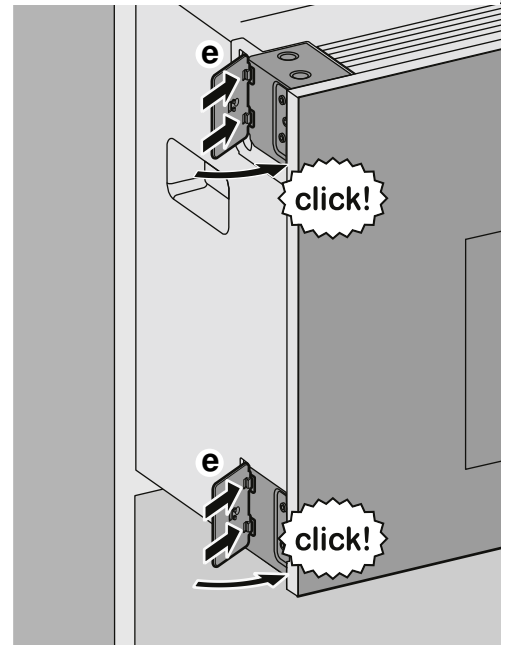
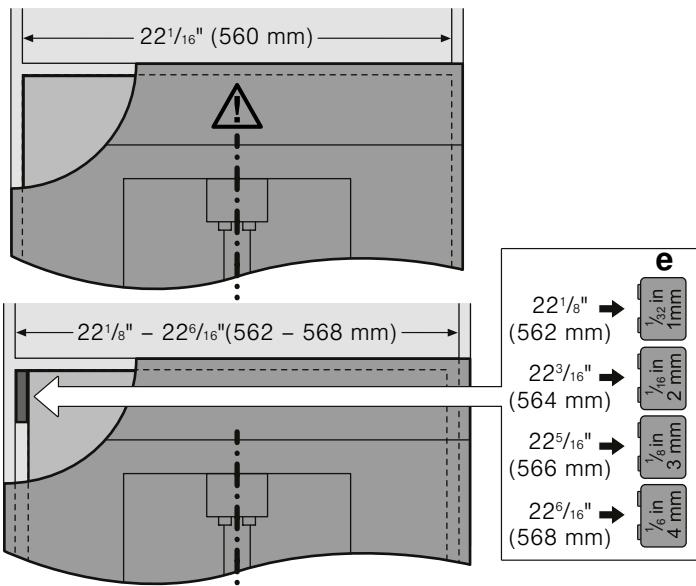


# 12

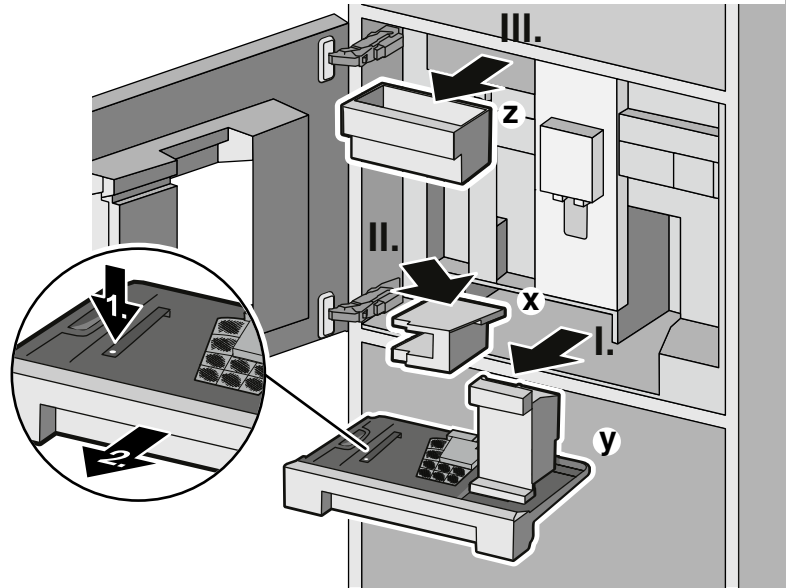
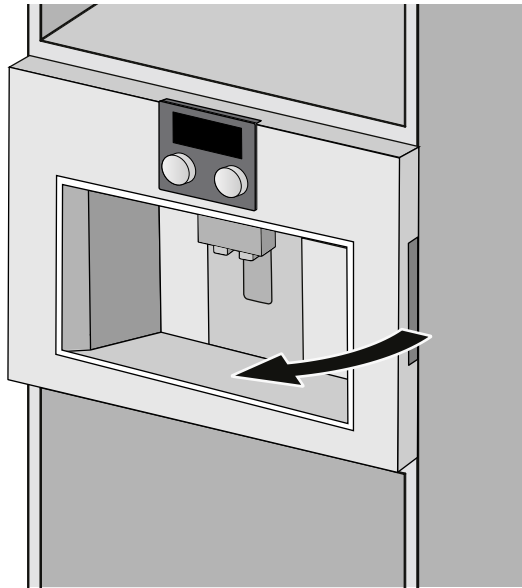


  
≈ 3 min.

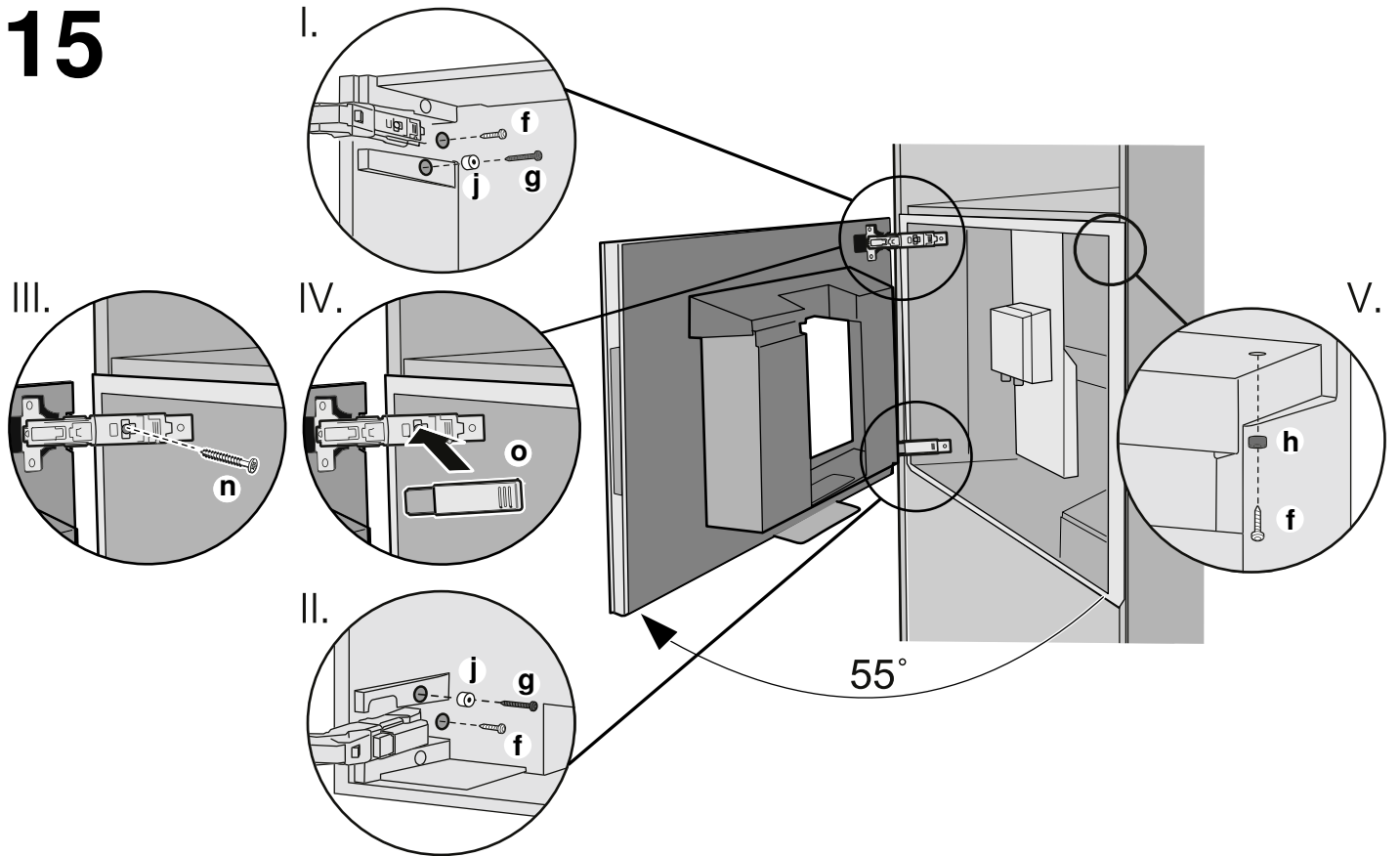
# 13



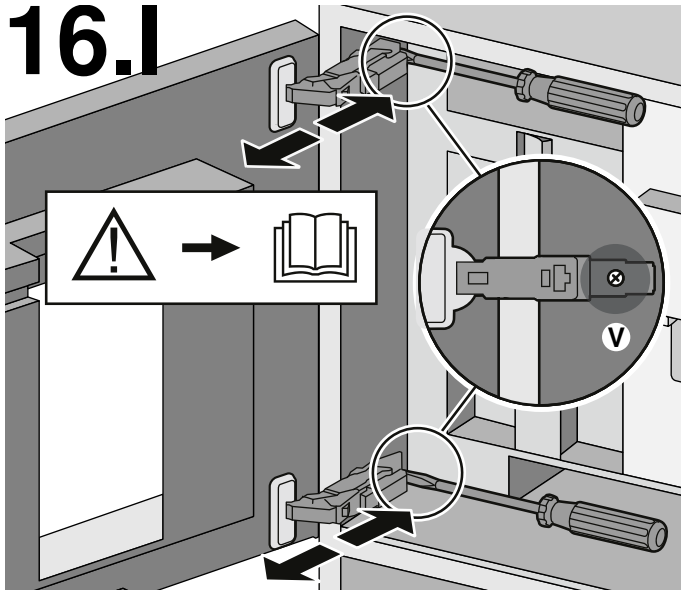
# 14



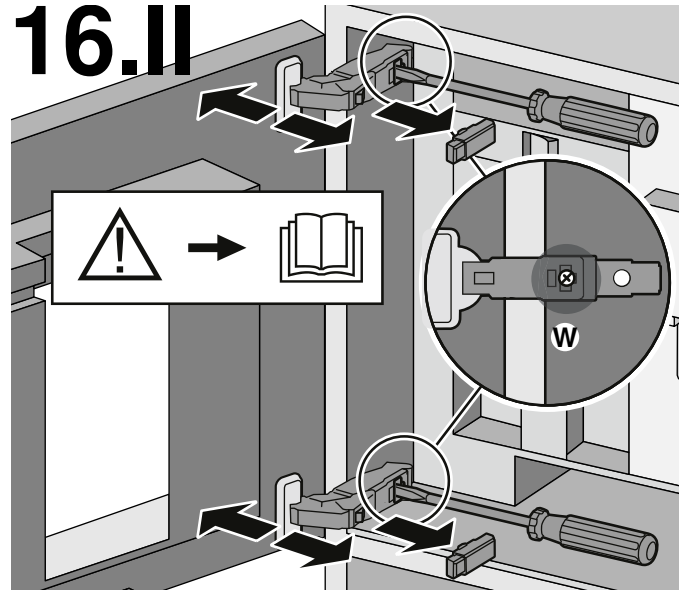
# 15



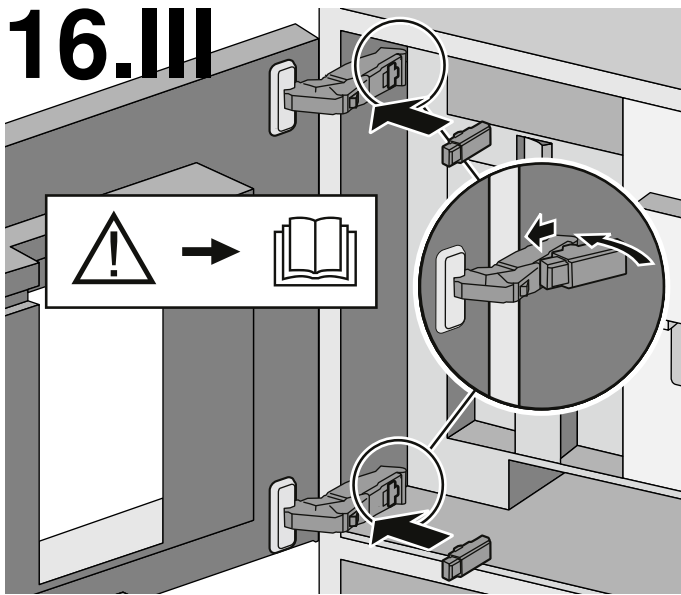
# 16.I



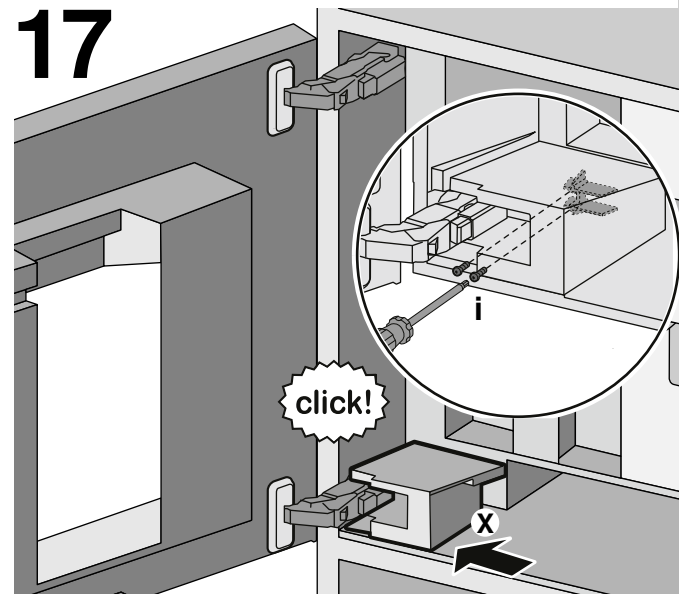
# 16.II



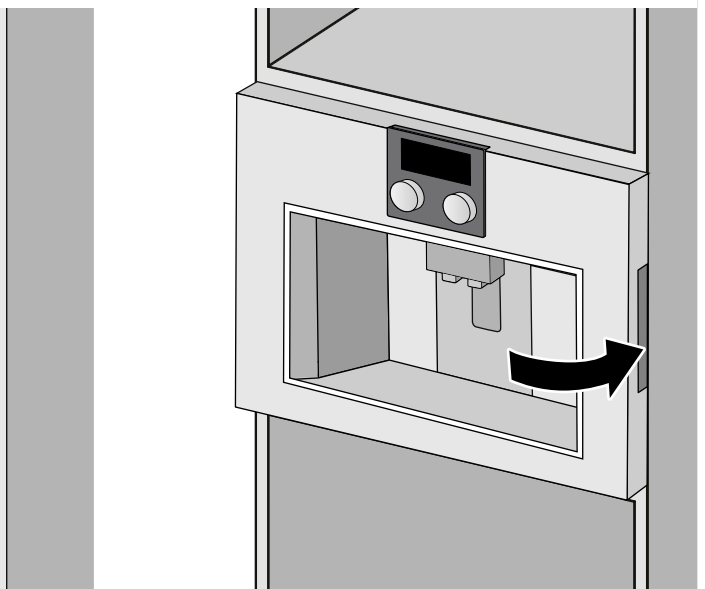
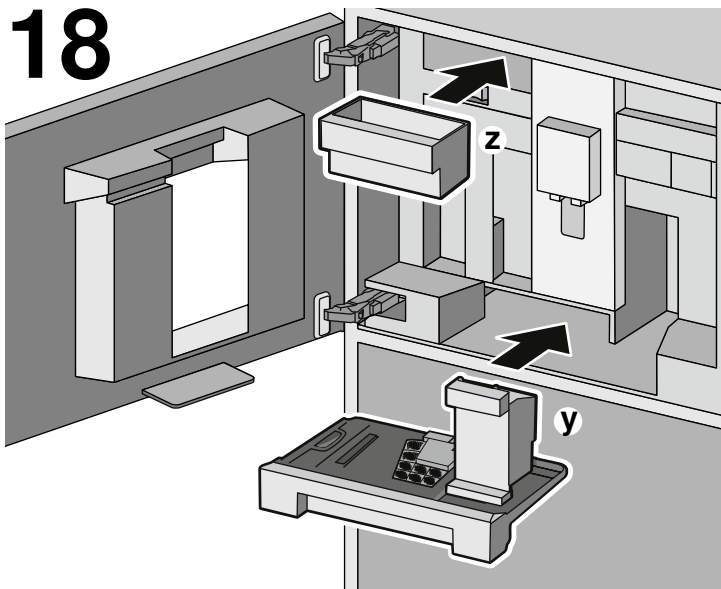
# 16.III



# 17



# 18





---

## Safety Definitions

---

---

### WARNING

---

This indicates that death or serious injuries may occur as a result of non-observance of this warning.

---

---

### CAUTION

---

This indicates that minor or moderate injuries may occur as a result of non-observance of this warning.

---

**NOTICE:** This indicates that damage to the appliance or property may occur as a result of non-compliance with this advisory.

**Note:** This alerts you to important information and/or tips.



# IMPORTANT SAFETY PRECAUTIONS

READ AND SAVE THESE INSTRUCTIONS

---

## WARNING

---

**When using electrical appliances, basic safety precautions should always be followed, including the following**

- Please read and follow the operating instructions carefully and keep them for later reference.
- If the unit is transferred, please ensure that this manual is included.
- Please read and pay particular attention to the safety information in the instruction manual.
- The fixed water connection should be installed only by a qualified technician.
- Do not connect the appliance to a hot water connection.
- Connect the appliance to a cold water connection (fresh water supply). Fresh water supply must be used.
- The water supply must withstand the operating pressure. The water pressure must be between 0.05 MPa (0.5 bar) and 1 MPa (10 bar). If the water pressure is higher than this, a pressure-reducing valve must be installed upstream. The hygiene regulations must be observed during installation and operation.
- **IMPORTANT: This appliance is designed for domestic and not commercial use.**
- Use indoors at room temperature only. Do not use at more than 6560 feet /2000 meters above sea level.
- Supervise children to ensure that they do not play with the appliance.
- All units and systems used to deliver the water to the coffee system must conform with the requirements of the respective country.
- The machine must be connected to the water supply in accordance with local and national regulations.

---

**NOTICE:** Protect your Coffeemaker and hoses against freezing or it will be damaged.

---

## WARNING

---

**To reduce risk of fire and electric shock:  
Installation**

- Do not mount any appliance with fixed water connection over the fully automatic coffee machine.
- Connect and operate the appliance only according to the rating plate specifications.
- Use appliance only with transformer which is identified as Type 8001010566.
- Do not connect the appliance to or operate it by means of a time switch or remote control socket.
- The unit must not be operated with an extension cord.
- Use the Coffeemaker only if power cord and appliance show no signs of damage.
- Should a problem occur, pull the plug and disconnect from the power immediately.
- Never immerse the appliance or power cable in water or any liquid.
- When connecting or working on the water pipe, disconnect the appliance from the mains power supply. The statutory provisions of the individual country, the local power supplier and the water supply company must be observed. The electrical connection should not be made until after the water connection.

**Grounding** This appliance may only be connected to a power supply with 120 Volt AC via a correctly installed receptacle with ground.

## Repairs

- To avoid potential hazards, repairs must only be carried out by authorized service personnel.
  - If the power cord of this appliance is damaged, it must be replaced by a original replacement power cord, which can be purchased from our Customer Service Department.
  - Only an appliance which has been correctly installed according to these installation instructions can be used safely.
-

# **IMPORTANT SAFETY PRECAUTIONS**

## READ AND SAVE THESE INSTRUCTIONS

---

### WARNING

---

#### To reduce risk of fire and electric shock:

- Do not use in the same cabinet with other appliances.
  - Attach loose furniture to the wall with a conventional bracket.
  - Do not use directly above a drawer.
  - Do not place any heating or cooking appliance beneath the appliance.
  - Do not mount unit over or near any portion of a heating or cooking appliance\*. (see note)
  - Do not mount over a sink.
  - Do not store anything directly on top of the appliance surface when the appliance is in operation.
- 

**Note:** \*Unit may be installed directly above Gaggenau Warming Drawer, Model WS461.

---

### CAUTION

---

#### To avoid the risk of suffocation:

Do not allow children to play with packaging material. Store small parts safely as they can be a choke hazard.

#### To avoid the risk of injury:

Do not reach into the grinding unit. Be careful not to close the door on your fingers. This can result in injury

#### Unpacking and moving the coffeemaker:



The unit is heavy and should be handled accordingly. Proper safety equipment such as gloves and adequate manpower of at least two people must be used in moving the coffeemaker to avoid injury and to avoid damage to the unit or the floor.

Rings, watches, and any other loose items that may damage the unit or otherwise might become entangled with the unit should be removed.

Hidden surfaces may have sharp edges. Use caution when reaching behind or under appliance.

---

---

### WARNING

---

#### Hazard due to magnetism

The appliance contains permanent magnets which may affect electronic implants, e.g. heart pacemakers or insulin pumps. Persons wearing electronic implants must maintain a minimum distance of 4" (10 cm) from the appliance and from the following parts upon removal: milk container, milk system, water tank and brewing unit.

---

## State of California Proposition 65 Warnings:

---

### WARNING

---

This product can expose you to chemicals including vinyl chloride, which is known to the State of California to cause cancer and birth defects or other reproductive harm. For more information go to [www.P65Warnings.ca.gov](http://www.P65Warnings.ca.gov).

---

---

## Included in delivery

---

- (a) Fully automatic coffee machine
- (b) Installation instructions
- (c) Assembly bracket
- (d) Transformer mount
- (e) Spacers
- (f) 7 fastening screws (silver)
- (g) 2 fastening screws (long/black)
- (h) 1 sleeve (black)
- (i) 2 fastening screws (short/black)
- (j) 2 sleeves (white)
- (k) Transformer
- (l) Hose guide
- (m) Hose clamp
- (n) Fastening screws
- (o) Hinge dampers

---

## General information for water and drain water connection

---

The appliance should not be installed more than  $39\frac{3}{8}$ " (1000 mm) away from a drain water connection. The water connection can be extended by  $118\frac{7}{64}$ " (3000 mm) with a special pipe (part number 00357081).

A shut-off valve must be installed between the water inlet hose and the domestic water connection so that the water supply can be turned off if necessary. The shut-off valve must be freely accessible following installation.

The appliance complies with the international standards and may not be connected without a backflow preventer.

A tap with a  $\frac{3}{4}$ " (26.4 mm) screwed connection is required for connection. If not available, the appliance may be connected only by an approved technician.

The water quality must comply with the drinking water regulations of the individual country in which the appliance is operated.

The connection to the domestic water supply and all equipment and devices used to supply the water to the appliance must comply with the applicable provisions of the individual country.

The drain water connection must be min. 150 mm below the lower edge of the appliance.

The drain water hose must not be extended.

If the installation location of the appliance is too far away from the main drainage point (siphon), the drainage system (domestic installation) must be adapted.

---

## Prepare built-in units

---

**Important:** The power outlet must be located outside the built-in cut-out.

Make sure there is adequate air circulation. To do this, remove the rear panel of the cabinet or cut out an opening of  $19\frac{11}{16}$ " x  $15\frac{3}{4}$ " (500 x 400 mm). There must be a gap of at least  $1\frac{3}{8}$ " (35 mm) between the wall and base of the unit or the rear panel of the unit situated above. The ventilation slots and intake openings must not be covered. Also follow the installation instructions for the appliance situated above or below. If installing the appliance above a warming drawer, the height of the recess must be  $23\frac{1}{4}$ " (590 mm). If the appliance is installed directly under a décor panel, ensure that there is a ventilation slot of at least 31 square inches (200 cm<sup>2</sup>). The ideal installation height for the fully automatic espresso machine, measured from the floor to the lower edge of the appliance, is  $37\frac{3}{8}$ " (950 mm).

Protect your Coffeemaker and hoses against freezing or it will be damaged.

---

### CAUTION

---

Installation must always be performed by two persons.

---

---

## Installation preparation

---

- 1 Unpack all the parts and check for any damage in transit. Do not operate a damaged appliance. **Fig. 1**
- 2 Take note of the installation dimensions of the particular model. **Fig. 2**  
**Important:** Two opening angles can be selected for the door. Depending on the opening angle required, the mounting distance to the wall should be observed before installation.
  - Opening angle approx.  $110^\circ$  (delivery status) = mounting distance to the wall at least  $13\frac{3}{4}$ " (350 mm).
  - Opening angle approx.  $155^\circ$  = mounting distance to the wall at least  $25\frac{9}{16}$ " (650 mm).  
For an opening angle of  $155^\circ$ , remove both the restrictors at the top and bottom of the hinge.
- 3 Position the assembly bracket (c) according to the measurement stated in the image and fasten it with 2 fastening screws (f) to the cabinet as shown. The assembly bracket must be positioned at the base of the unit and the wall such that no gap is present. **Fig. 3**
- 4 Fasten the transformer mount (d) with 2 screws (f) in the middle. **Fig. 4**
- 5 Insert the transformer in the mount. The connections to both lines must point to the left. **Fig. 5**  
**Note:** : When positioning the transformer (k) and pushing in the appliance, do not trap the lines. The transformer (k) is not allowed to touch the appliance and the back wall of the cupboard.
- 6 Set the main switch (U) to [O] on the appliance. **Fig. 6**  
**Important: Fig. 7**
  - The distance between the appliance and the rear wall must be at least  $13\frac{15}{16}$ " (100 mm).
  - A recess of  $4\frac{23}{32}$ " (120 mm) x  $11\frac{13}{16}$ " (300 mm) is required for water inlet hose and drain water hose. If required, adjust the furniture base accordingly.
  - The hose guide (l) should end at the edge of the furniture base.
  - The connecting hose guide (l) should be adapted to the edge of the furniture if necessary.
- 7 Screw the hose guide (l) with the fastening screw (i) to the rear wall of the appliance. **Fig. 8**
- 8 Insert the drain water hose in the hose guide (l).
- 9 Place the hose straight on the bottom of the furniture and run down over the edge.
- 10 Run the connecting cable, the water inlet hose and the drain water hose through the cabinet to the back.  
**NOTICE:** : The connecting cable and hoses should not be kinked, crushed or twisted

---

## Drainage connection

---

---

### CAUTION

---

The domestic drain water system must be vented. The siphon must have a suitable connection. Check that the drain water hose is not kinked, crushed or twisted. Check that there is not a cover in the drain water connection preventing drainage of the water. Remove if necessary. **Fig. 9**

---

- 1 Remove the cap from the drain water hose.
- 2 Place the hose clamp on the drain water hose.
- 3 Slide the drain water hose onto the drain water connection.
- 4 Use the hose clamp to secure attachment of the drain water hose to the drain water connection.
- 5 Check the connections and drain water connection for leaks.

---

## Water connection

---

Open the tap on the water connection and draw off approx. 10 litres of water to clean the domestic water pipe. Then turn off the tap.

---

### WARNING

---

#### **Risk of electric shock**

The appliance must be disconnected from the electrical supply.

---

Only connect the appliance to the cold water connection. **Fig. 10**

Check that the water inlet hose is not kinked, crushed or twisted. The plastic housing in the AquaStop contains an electric valve so do not immerse in water. The water inlet hose contains the connecting lines so do not cut through this hose.

- 1 Screw the water inlet hose with the AquaStop to the tap.
- 2 Slowly turn on the tap so it is fully open.
- 3 Check the connections and water inlet hose for leaks.

---

## Installing the appliance

---

- 1 Securely insert the front line into the appliance (snaps into place). For this purpose, put the appliance to be plugged in just on to the edge of the unit. Plug the power cord into the socket.

**Fig. 11**

Plug transformer into dedicated receptacle in an accessible cabinet adjacent to the coffee maker (depends on the built-in situation). Do not plug into a receptacle behind the appliance. Push the appliance into the unit until it clicks into place.

**Important:** The socket must be freely accessible after the appliance has been installed.

- 2 Check the water drainage. To do so, slowly pour approx. 0.5 l water from a container, e.g. jug, into the drip tray. The water must drain off completely.

**Fig. 12**

If the water fails to drain off, check installation of the hose and the waste water connection according to the information in these installation instructions.

- 3 Check that the appliance is in the middle. If necessary, align the appliance. To do so, pull the appliance out a little, remove the appropriate spacers **(e)** and attach to the left side (top and bottom). Push the appliance into the unit until it clicks into place. Adjust the appliance so it is aligned horizontally and vertically. The appliance should not stand at an angle of more than 1° (2%) in any direction! **Fig. 13**

- 4 Take hold of the appliance door on the right next to the outlet and open. Remove the drip tray **(Y)**. Pull the cover **(X)** on the bottom left-hand side forwards and remove. Pull out the accessories drawer **(Z)** and put to one side. **Fig. 14**

- 5 First, screw on the appliance as shown using 2 of each of the fastening screws **(f)** and **(g)** as well as 2 sleeves **(j)**. Then screw tight at the top right of the unit using 1 fastening screw **(f)** and sleeve **(h)**.

**Fig. 15**

Then:

- Open the door at an angle of approx. 55°.
- Screw in the screws **(n)**.
- Fit the hinge dampers **(o)**.

- 6 **Only for the qualified installer:**

In very few cases, the door of the built-in fully automatic coffee machine can jam due to a misalignment in the cabinet where the unit is built in. The door can be adjusted. To do this adjust the hinges at the top and the bottom:

- Adjust the depth of the door by turning the screws **(V)**. **Fig. 16.I**
- Remove the hinge dampers at the top and bottom of the hinges. Turn the screws **(W)** to adjust the inclination and the horizontal position of the doors.
- Re-fit the hinge dampers. **Fig. 16.III**

- 7 Insert the cover **(X)** and fix with the two black fastening screws **(i)**. **Fig. 17**

- 8 Replace the drip tray **(Y)** and accessories drawer **(Z)** and close the appliance door. **Fig. 18**

---

## Fault in water flow

---

To ensure an adequate water flow, the filter in the AquaStop should be cleaned regularly.

- 1 Turn off the tap.
- 2 Unscrew the water inlet hose with the AquaStop from the tap.
- 3 Clean the filter with a small brush.  
**Important:** Do not remove the filter under any circumstances.
- 4 Screw the water inlet hose with the AquaStop to the tap.
- 5 Slowly turn on the tap so it is fully open.
- 6 Check the connections and water inlet hose for leaks.

If the appliance is cleaned and maintained regularly, this will avoid faults.

---

## Removing the appliance

---

- 1 Run emptying program. See instruction manual.
- 2 Turn off the tap.
- 3 Disconnect the mains plug.
- 4 Remove the water inlet and water outlet hoses.
- 5 Remove all screws. See installation.
- 6 Gently pull out appliance.
- 7 Pull the appliance out from the cabinet.



---

## Technical specifications

---

Power connection with transformer type 8001010566 (voltage - frequency)	120 V AC - 60 Hz
Power rating	1600 W
Maximum static pump pressure	19 bar
Maximum water tank capacity (without filter)	81.15 oz (2.4 l)
Maximum capacity of the coffee bean container	17.64 oz (500 g)
Length of power cable (Power socket - transformer)	39" (1 m)
Dimensions (appliance without transformer) H x W x D	17.91 x 23.23 x 17.48" (455 x 590 x 444 mm)
Weight, empty (appliance without transformer)	46 - 49 lb (21 - 22 kg)
Type of grinding unit	Ceramic

---

## AQUA-STOP pledge

---

In addition to the standard warranty provided by BSH, BSH will also compensate customers for damage caused by a specific fault in the Aqua-Stop system giving rise to a valid warranty claim. Compensation will be provided under the following conditions:

- 1 If water damage is caused by defect in materials or workmanship in the Aqua-Stop system, BSH will compensate customers reasonable and verifiable damages.
- 2 A condition of all warranty claims is the appliance with Aqua-Stop must have been installed and connected correctly in accordance with all instructions; this also includes a properly installed Aqua-Stop extension (genuine accessories). The warranty does not cover defective feed lines or fittings leading to the Aqua-Stop connection at the tap.

---

## Définitions de sécurité

---

---

### AVERTISSEMENT

---

Ceci indique que le non-respect de cet avertissement peut entraîner des blessures graves, voire la mort.

---

---

### ATTENTION

---

Ceci indique que le non-respect de cet avertissement peut entraîner des blessures légères ou de gravité moyenne.

---

**AVIS :** Ceci indique que la non-conformité à cet avis de sécurité peut entraîner des dégâts matériels ou endommager l'appareil.

**Remarque :** Ceci vous signale des informations et/ou indications importantes.

# CONSIGNES DE SÉCURITÉ IMPORTANTES

## LIRE ET CONSERVER CES INSTRUCTIONS

---

### AVERTISSEMENT

---

Quand vous utilisez des appareils électriques, observez les consignes de sécurité de base, y compris ce qui suit :

- Veuillez lire et suivre attentivement les consignes d'utilisation et les conserver pour des besoins ultérieurs.
- Si l'appareil est transféré ou vendu, veuillez vous assurer que le présent manuel l'accompagne.
- Veuillez impérativement lire et respecter les consignes de sécurité figurant dans la notice d'utilisation.
- Le raccordement d'eau fixe doit être installé par un technicien qualifié.
- Ne pas brancher l'appareil à une source d'eau chaude.
- Brancher l'appareil à une source d'eau potable froide. L'eau utilisée doit être potable.
- L'alimentation en eau doit résister à la pression de travail. La pression de l'eau doit être comprise entre 0,05 MPa (0,5 bar) et 1 MPa (10 bars). Si la pression de l'eau est supérieure, une vanne de réduction de pression doit être installée en amont. L'installation et l'opération doivent se faire sous de strictes conditions d'hygiène.
- **IMPORTANT : cet appareil est destiné à un usage domestique et non commercial.**
- Utiliser l'appareil à l'intérieur et à température ambiante uniquement. Ne pas utiliser à plus de 6560 pieds/2000 mètres au-dessus du niveau de la mer.
- Surveiller les enfants afin de s'assurer qu'ils ne jouent pas avec la machine.
- Tous les appareils et systèmes utilisés pour alimenter la machine à café en eau doivent être conformes aux exigences du pays respectif.
- La machine doit être raccordée au système d'alimentation en eau conformément aux règlements locaux et nationaux.

---

**AVIS :** Protéger la machine à café et vos tuyaux du gel afin de les conserver en bon état.

---

### AVERTISSEMENT

---

**Pour réduire le risque de choc électrique :**  
Installation

- Ne pas installer d'appareil avec raccord d'eau au-dessus de la machine à café complètement automatisée.
- Ne brancher et n'utiliser l'appareil que conformément aux données indiquées sur la plaque signalétique.
- Utiliser l'appareil uniquement avec le transformateur de type 8001010566.
- Ne pas raccorder ni utiliser l'appareil via une prise à minuterie ou commandée à distance.
- L'appareil ne doit pas être utilisé avec une rallonge électrique.
- Utiliser la machine à café uniquement si son cordon d'alimentation et l'appareil lui-même ne montrent aucun signe de détérioration.
- En cas de défaut, débrancher immédiatement la prise électrique de l'appareil.
- Ne jamais plonger l'appareil ou le cordon d'alimentation dans un liquide.
- Débrancher l'appareil avant de raccorder ou de travailler sur la conduite d'eau. Les dispositions propres à chaque pays et fournisseur d'énergie/d'eau doivent être observées en tout temps. Le raccordement électrique doit être réalisé après le raccordement à la source d'eau.

#### Mise à la terre

L'appareil doit être branché à une source de courant alternatif de 120 volts via une prise correctement mise à la terre.

#### Réparations

- Afin d'éviter tous les risques, seul un personnel de service autorisé peut réparer cet appareil.
  - Si le cordon d'alimentation secteur de cet appareil est endommagé, il doit être remplacé par un câble de rechange d'origine, disponible auprès de notre service à la clientèle.
  - Seule une mise en place conforme au présent guide de montage permet de garantir une utilisation en toute sécurité.
-



# CONSIGNES DE SÉCURITÉ IMPORTANTES

LIRE ET CONSERVER CES INSTRUCTIONS

---

## AVERTISSEMENT

---

### Pour réduire le risque de choc électrique :

- Ne pas utiliser dans le même meuble que d'autres appareils.
  - Le meuble portant la machine doit être fixé au mur par une cornière de type courant.
  - Ne pas utiliser directement au dessus d'un tiroir.
  - Ne pas placer d'appareil de chauffage ou de cuisine sous l'appareil.
  - Ne pas installer l'appareil au-dessus ou à proximité d'un appareil de chauffage ou de cuisine. (voir la note)
  - Ne pas monter l'appareil au-dessus d'un évier.
  - Ne pas poser d'objet directement sur l'appareil lorsque celui-ci fonctionne.
- 

**Remarque :** \*L'appareil peut être installé directement au-dessus du tiroir chauffant Gaggenau, modèle WS461.

---

## ATTENTION

---

### Pour éviter tout risque d'étouffement :

Ne jamais laisser les enfants jouer avec le matériel d'emballage. Conserver les pièces de petite taille dans un endroit sûr, car elles posent un risque d'étouffement.

### Pour éviter tout risque de blessure :

Ne pas accéder au moulin. Prendre garde de ne pas se coincer les doigts en fermant la porte. Vous pourriez vous blesser.

### Déballer et déplacer l'appareil :



Cet appareil est lourd et doit être manipulé correctement. Par mesure de sécurité, le port de gants et au moins deux personnes sont nécessaires pour déplacer la machine à café afin d'éviter les blessures et les dommages matériels.

Les bagues, montres et autres objets qui peuvent endommager ou se coincer dans la machine doivent être retirés.

Certaines surfaces cachées peuvent avoir des rebords tranchants. Redoubler de vigilance quand vous passez la main derrière ou sous l'appareil électroménager.

---

---

## AVERTISSEMENT

---

### Risque dû au magnétisme

Cet appareil peut contenir des aimants permanents qui pourraient affecter les implants électroniques comme les stimulateurs cardiaques ou les pompes à insuline. Les porteurs d'implants électroniques doivent maintenir une distance d'au moins 4 pouces (10 cm) entre eux et les parties suivantes lors de leur extraction : récipient à lait, système de distribution du lait, réservoir d'eau et l'unité de percolation.

---

## Avertissement issue de la proposition 65 de l'État de la Californie :

---

## AVERTISSEMENT

---

Ce produit peut vous exposer à des produits chimiques, comme du chlorure de vinyle, reconnus par l'État de la Californie comme causant le cancer, des malformations congénitales ou d'autres effets nocifs sur la reproduction. Pour de plus amples renseignements, consultez [www.P65Warnings.ca.gov](http://www.P65Warnings.ca.gov).

---

---

## Contenu de l'emballage

---

- (a) Machine à café complètement automatique
- (b) Instructions d'installation
- (c) Équerre de montage
- (d) Monture du transformateur
- (e) Entretoises
- (f) 7 vis de fixation (argent)
- (g) 2 vis de fixation (longues/noires)
- (h) 1 douille (noire)
- (i) 2 vis de fixation (courtes/noires)
- (j) 2 douilles (blanches)
- (k) Transformateur
- (l) Guide de tuyau
- (m) Collier de serrage
- (n) Vis de fixation
- (o) Amortissements de charnières

---

## Renseignements généraux sur les raccords d'alimentation et d'évacuation d'eau

---

L'appareil doit être installé à une distance maximale de  $39\frac{3}{8}$  po (1000 mm) d'un raccordement d'évacuation d'eau. Le raccordement d'eau peut être prolongé de  $118\frac{7}{64}$  po (3000 mm) avec un tuyau spécial (pièce n° 00357081).

Une vanne de fermeture doit être posée entre le tuyau d'alimentation en eau et la source domestique de façon à pouvoir interrompre l'alimentation en eau si nécessaire. La vanne de fermeture doit demeurer accessible suite à l'installation.

L'appareil est conforme aux normes internationales et doit être branché sans faute avec un disconnecteur hydraulique.

Un robinet pourvu d'un raccord vissé de  $\frac{3}{4}$  po (26,4 mm) est nécessaire. En l'absence d'un tel robinet, l'appareil doit être installé par un technicien autorisé uniquement.

La qualité de l'eau doit répondre aux normes sur l'eau potable propres au pays dans lequel l'appareil est utilisé.

Le raccordement au système d'eau domestique, ainsi que tous les équipements et appareils utilisés pour acheminer l'eau jusqu'à l'appareil, doivent répondre aux dispositions en vigueur dans le pays d'utilisation.

Le raccordement d'évacuation d'eau doit être à une hauteur d'au moins 150 mm sous le rebord inférieur de l'appareil.

Le tuyau d'évacuation d'eau ne doit pas être prolongé.

Si le lieu d'installation de l'appareil est trop éloigné du point d'évacuation (siphon), il faudra ajuster le système d'évacuation (installation domestique) en conséquence.

---

## Préparer les groupes intégrés

---

**Important :** la prise de courant doit être située à l'extérieur du disjoncteur intégré.

Assurer une bonne circulation de l'air. À cet effet, retirer le panneau arrière du meuble ou découper une ouverture aux dimensions suivantes :  $19\frac{1}{16}$  po x  $15\frac{3}{4}$  po (500 x 400 mm). Un espace d'au-moins  $1\frac{3}{8}$  po (35 mm) est nécessaire entre le mur et la base de l'unité ou du panneau arrière de l'unité située au-dessus. Les orifices de ventilation et les prises d'air ne doivent pas être obstrués. Tenir compte également des instructions de montage de l'appareil situé en dessous ou au-dessus. Si la machine est installée au-dessus d'un chauffe-plats, la hauteur de l'espace entre les deux machines doit être de  $23\frac{1}{4}$  po (590 mm). Si la machine est installée directement sous un panneau décoratif, s'assurer qu'il existe un espace de ventilation d'au-moins 31 pouces carrés (200 cm<sup>2</sup>). La hauteur de montage idéale de la machine à café est de  $37\frac{3}{8}$  po (950 mm) entre le sol et le rebord inférieur de la machine.

Protéger la machine à café et vos tuyaux du gel afin de les conserver en bon état.

---

### ATTENTION

---

CONSIGNE : l'installation doit toujours être réalisée par 2 personnes.

---

---

## Préparation avant l'installation

---

- 1 Après avoir les avoir déballées, vérifier toutes les pièces pour détecter d'éventuels dégâts dus au transport. Ne pas mettre en service un appareil présentant des dommages. **Fig. 1**
- 2 Tenir compte des cotes de montage en fonction du modèle et des conditions de montage. **Fig. 2**  
**Important :** il est possible de choisir entre deux angles d'ouverture de la porte. En fonction de l'angle d'ouverture souhaité, il faudra prévoir une distance de montage suffisante avec le mur avant l'installation.
  - Angle d'ouverture d'env. 110° (état à la livraison)  
= distance de montage envers le mur d'au moins  $13\frac{3}{4}$  po (350 mm).
  - Angle d'ouverture de porte env. 155°  
= distance de montage envers le mur d'au moins  $25\frac{9}{16}$  po (650 mm).  
Pour un angle d'ouverture de 155°, retirer les deux butées en haut et en bas de la charnière.
- 3 Positionner l'équerre de montage (**c**) selon les mesures indiquées dans l'image et fixez-la au meuble avec 2 vis de fixation (**f**). L'équerre de montage doit être positionnée à la base de l'appareil et du mur de sorte qu'il n'y ait aucun espace entre les deux. **Fig. 3**
- 4 Fixer la monture du transformateur (**d**) avec 2 vis (**f**) au milieu. **Fig. 4**
- 5 Insérer le transformateur dans la monture. Les connexions aux deux lignes doivent pointer vers la gauche. **Fig. 5**  
**Remarque :** Ne pas bloquer les lignes au moment de positionner le transformateur (**k**) et de le pousser dans la machine.  
Le transformateur (**k**) ne doit pas toucher la machine et le panneau arrière de l'armoire.
- 6 Régler l'interrupteur principal (**U**) à [O] sur la machine. **Fig. 6**  
**Important :** **Fig. 7**
  - La distance entre la machine et le mur doit être d'au moins  $13\frac{15}{16}$  po (100 mm).
  - Une niche de  $4\frac{23}{32}$  po (120 mm) x  $11\frac{13}{16}$  po (300 mm) est nécessaire pour les tuyaux d'arrivée et d'évacuation d'eau. Si nécessaire, ajuster la base du meuble.
  - Le guide de tuyau (**l**) devrait être situé au rebord de la base du meuble.
  - Le guide de raccordement du tuyau (**l**) devrait être ajusté au rebord de la base du meuble si nécessaire.
- 7 Visser le guide de tuyau (**l**) avec la vis de fixation (**i**) à la paroi arrière de l'appareil. **Fig. 8**

- 8 Insérer le tuyau d'évacuation d'eau dans le guide (I).
- 9 Placer le tuyau bien droit au fond du meuble et le faire descendre en passant par-dessus le rebord.
- 10 Faire passer le câble de raccordement et les tuyaux d'alimentation et d'évacuation d'eau par l'arrière du meuble.

**AVIS :** Le câble et les tuyaux ne doivent être ni coudés, ni écrasés, ni tordus.

---

## Raccordement de l'évacuation

---

---

### ATTENTION

---

Le système d'évacuation d'eau domestique doit être aéré. Le siphon doit être pourvu d'un raccordement approprié. S'assurer que le tuyau d'évacuation d'eau n'est ni coudé, ni écrasé, ni tordu. S'assurer que le raccordement d'évacuation d'eau n'est pas recouvert, ce qui empêcherait l'évacuation d'eau. Retirer le capuchon si nécessaire. **Fig. 9**

---

- 1 Retirer le capuchon du tuyau d'évacuation d'eau.
- 2 Placer le collier de serrage sur le tuyau d'évacuation d'eau.
- 3 Glisser le tuyau d'évacuation d'eau sur le raccordement d'évacuation d'eau.
- 4 Avec le collier de serrage, fixer le tuyau d'évacuation au raccordement correspondant.
- 5 S'assurer de l'absence de fuites dans les raccordements et dans le tuyau d'évacuation d'eau.

---

## Raccordement d'eau

---

Ouvrir le robinet du raccordement en eau et laisser couler environ 10 litres d'eau afin de nettoyer le tuyau d'eau domestique. Fermer ensuite le robinet.

---

### AVERTISSEMENT

---

#### Risque de choc électrique

L'appareil doit être déconnecté du secteur.

---

Raccorder l'appareil uniquement à une source d'eau froide. **Fig. 10**

S'assurer que le tuyau d'alimentation d'eau n'est ni coudé, ni écrasé, ni tordu. L'enceinte de plastique dans l'AquaStop contient une vanne électrique. Il faut donc éviter de submerger l'appareil. Comme le tuyau d'alimentation en eau contient les conduites de raccordement, il faut éviter de le sectionner.

- 1 Visser le tuyau d'alimentation en eau avec l'AquaStop au robinet.
- 2 Ouvrir lentement et complètement le robinet.
- 3 S'assurer de l'absence de fuites dans les raccordements et dans le tuyau d'alimentation en eau.

---

## Installation de l'appareil

---

- 1 Positionner la ligne avant dans l'appareil (s'encliquette). À cet effet, poser la machine à brancher sur le rebord de l'unité. Brancher le cordon d'alimentation dans la prise. **Fig. 11**  
Brancher le transformateur dans une prise dédiée dans une armoire accessible à côté de la machine à café (selon la situation de montage). Ne pas brancher dans une prise derrière l'appareil. Insérer l'appareil dans l'unité jusqu'à ce qu'il s'encliquette. **Important** : la prise doit être facilement accessible même une fois l'appareil installé.
- 2 Vérifier l'évacuation d'eau. Pour ce faire, verser lentement environ 0,5 l d'eau dans le plateau d'égouttage avec une cruche. L'eau doit s'évacuer complètement. **Fig. 12**  
Si l'eau ne s'écoule pas, s'assurer que le tuyau et le raccordement d'évacuation sont installés conformément aux instructions du présent manuel.
- 3 Vérifier que l'appareil est bien centré. Si nécessaire, ajuster la position de l'appareil. Pour ce faire, ressortir légèrement l'appareil, retirer les entretoises (**e**) appropriées et les mettre en place sur le côté gauche (en haut et en bas). Insérer l'appareil jusqu'en butée dans l'armoire. Aligner l'appareil horizontalement et verticalement. L'appareil ne doit pas avoir un angle de plus 1° (2 %) dans une direction ou l'autre! **Fig. 13**
- 4 Saisir la porte de l'appareil du côté droit à côté de la buse d'écoulement et ouvrir. Retirer le plateau d'égouttage (**Y**). Tirer le couvercle (**X**) en bas à gauche vers l'avant et le retirer. Retirer le tiroir à accessoires (**Z**) et le mettre de côté. **Fig. 14**
- 5 Visser d'abord l'appareil avec les 2 vis de fixation (**f**) et (**g**) ainsi que les 2 douilles (**j**) comme indiqué dans l'illustration. Visser ensuite en haut à droite de l'unité à l'aide d'une vis de fixation (**f**) et d'une douille (**h**). **Fig. 15**  
Ensuite :
  - Ouvrir la porte à un angle d'environ 55°.
  - Visser les vis (**n**).
  - Mettre les amortissements de charnières (**o**) en place.



## 6 Uniquement pour l'installateur qualifié :

Dans de rares cas, la porte de la machine à café complètement automatique peut se coincer à cause d'un mauvais alignement du meuble dans lequel l'appareil est intégré. La porte peut être ajustée. Pour ce faire, régler les charnières en haut et en bas :

- Régler la profondeur de la porte en tournant les vis (V). Fig. 16.I
  - Retirer l'amortissement des charnières en haut et en bas des charnières. Régler l'inclinaison et la position horizontale de la porte en tournant les vis (W).
  - Remettre l'amortissement des charnières en place. Fig. 16.III
- 7 Mettre le capuchon (X) en place et le fixer avec les deux vis de fixation noires (i). Fig. 17
- 8 Remettre en place le plateau d'égouttage (Y) et le tiroir d'accessoires (Z) et fermer la porte de l'appareil. Fig. 18

---

## Erreur de circulation de l'eau

---

Pour garantir le bon écoulement de l'eau, le filtre de l'AquaStop doit être nettoyé régulièrement.

- 1 Fermer le robinet.
- 2 Dévisser le tuyau d'alimentation en eau avec l'AquaStop du robinet.
- 3 Nettoyer le filtre avec une petite brosse.  
**Important** : ne jamais retirer le filtre.
- 4 Visser le tuyau d'alimentation en eau avec l'AquaStop au robinet.
- 5 Ouvrir lentement et complètement le robinet.
- 6 S'assurer de l'absence de fuites dans les raccords et dans le tuyau d'alimentation en eau.

Le nettoyage et l'entretien réguliers de la machine aideront à prévenir les erreurs.

---

## Dépose de l'appareil

---

- 1 Exécuter le programme de vidange. Se reporter au mode d'emploi.
- 2 Fermer le robinet.
- 3 Débrancher la prise secteur.
- 4 Retirer les tuyaux d'alimentation et d'évacuation d'eau.
- 5 Retirer toutes les vis. Voir l'installation.
- 6 Tirer doucement l'appareil.
- 7 Retirer l'appareil du meuble.

---

## Caractéristiques techniques

---

Branchement sur secteur avec transformateur de type 8001010566 (Voltage – Fréquence)	120 V CA - 60 Hz
Puissance raccordée	1600 W
Pression max. de la pompe statique	19 bar
Volume max. du réservoir d'eau (sans filtre)	81,15 oz (2,4 l)
Capacité max. du réservoir pour café en grains	17,64 oz (500 g)
Longueur du câble de raccordement (Prise – Transformateur)	39 po (1 m)
Dimensions de l'appareil (Appareil sans transformateur) L x h x p	17,91 x 23,23 x 17,48 po (455 x 590 x 444 mm)
Poids, vide (Appareil sans transformateur)	46 - 49 lb (21 - 22 kg)
Moulin	Céramique

---

## L'engagement AQUA-STOP

---

En plus de la garantie fournie par BSH, BSH dédommagera tout client ayant subi des dommages causés par un défaut spécifique dans le système Aqua Stop et donnant lieu à un recours en garantie. La compensation sera versée sous les conditions suivantes :

- 1** Si un dégât d'eau est causé par un défaut de matériel ou de main-d'oeuvre dans le système Aqua-Stop, BSH dédommagera les dommages raisonnables et vérifiables du client.
- 2** Toutes les revendications de garantie ont pour condition préalable que l'appareil doté de l'Aqua-Stop soit installé et branché correctement selon nos instructions; cela inclut également une extension Aqua-Stop correctement installée (accessoires d'origine). Notre garantie ne couvre pas les conduites d'arrivée d'eau ou robinetteries défectueuses conduisant au raccordement du dispositif Aqua-Stop au robinet d'eau.

---

## Definiciones de seguridad

---

---

### ADVERTENCIA

---

Esto indica que pueden producirse heridas graves o incluso la muerte si no se cumple con esta advertencia.

---

---

### ATENCION

---

Esto indica que pueden producirse heridas leves o moderadas si no se cumple con esta advertencia.

---

**AVISO:** Esto indica que pueden producirse daños en el aparato o en los bienes si no se cumple con este aviso.

**Nota:** Esto alerta sobre información o sugerencias importantes.

# PRECAUCIONES IMPORTANTES DE SEGURIDAD

## LEA Y CONSERVE ESTAS INSTRUCCIONES

---

### ADVERTENCIA

---

Al utilizar aparatos eléctricos, deben tomarse siempre las precauciones de seguridad básicas, entre las que se encuentran las siguientes:

- Por favor lea y siga las instrucciones de operación cuidadosamente y consérvelas para futuras consultas.
- Si la unidad es transferida, por favor, asegúrese de que se incluya este manual.
- Es imprescindible leer y tener en cuenta los consejos y advertencias de seguridad de las instrucciones de uso.
- La conexión fija de agua sólo debe ser instalada por un técnico cualificado.
- No conectar el aparato a una toma de agua caliente.
- Conectar el aparato a una toma de agua fría (suministro de agua potable). Se debe utilizar un suministro de agua potable.
- La entrada de agua debe soportar la presión de servicio. La presión de agua debe estar entre 0.05 MPa (0.5 bar) y 1 MPa (10 bar). Si la presión de agua es superior, se debe instalar una válvula reductora de la presión delante. Respetar las normativas de higiene durante la instalación y el servicio.
- **IMPORTANTE: Este aparato está diseñado para el uso doméstico y no para ser utilizado con fines comerciales.**
- Utilice exclusivamente en interiores y a temperatura ambiente. No utilizar a más de 6560 pies/2000 metros de altura sobre el nivel del mar.
- Supervise a los niños para asegurarse de que no jueguen con el aparato.
- Todas las unidades y sistemas utilizados para suministrar agua a la cafetera deben cumplir con los requisitos del país de uso correspondiente.
- La máquina se debe conectar a la entrada de agua de conformidad con la normativa local y nacional.

---

**AVISO:** Proteja su cafetera y mangueras contra la congelación o se dañarán.

---

### ADVERTENCIA

---

Para reducir el riesgo de incendio y descarga eléctrica:

#### Instalación

- No instalar ningún aparato con conexión fija a toma de agua sobre la cafetera automática.
- Conectar y utilizar el aparato sólo de acuerdo con las especificaciones descritas en la placa de características.
- Utilizar únicamente con un transformador que esté identificado como Tipo 8001010566.
- No conectar el aparato ni hacerlo funcionar mediante un interruptor temporizador o un tomacorriente con control remoto.
- La unidad no debe ser puesta en funcionamiento con un cable de extensión.
- Usar la cafetera únicamente si el cable de alimentación y el electrodoméstico no muestran señales de daño.
- Si ocurre un problema, desenchufar de inmediato y desconectar de la fuente de alimentación.
- No sumergir nunca el aparato o el cable de alimentación en agua o en cualquier otro líquido.
- Al conectar o al trabajar en la tubería de agua, desconectar el aparato de la red eléctrica. Se deben tener en cuenta las disposiciones legales de cada país, así como las disposiciones del proveedor de energía local y de la empresa de suministro de agua. La conexión eléctrica deberá realizarse hasta después de efectuar la conexión de agua.

#### Puesta a tierra

El aparato debe ser conectado únicamente a una alimentación eléctrica con corriente alterna de 120 voltios a través de un tomacorriente instalado correctamente con tierra física.

#### Reparaciones

- Las reparaciones en el aparato deben ser realizadas sólo por personal de servicio autorizado para evitar posibles peligros.
  - Si el cable de alimentación de este aparato resulta dañado, éste debe ser sustituido por un cable de alimentación original, que puede adquirirse a través del servicio de asistencia técnica.
  - Sólo una instalación correcta desde el punto de vista técnico que siga estas instrucciones de montaje garantizará un uso seguro del aparato.
-



# PRECAUCIONES IMPORTANTES DE SEGURIDAD

## LEA Y CONSERVE ESTAS INSTRUCCIONES

---

### ADVERTENCIA

---

#### Para reducir el riesgo de incendio y descarga eléctrica:

- No utilizar en el mismo armario con otros aparatos.
  - Sujetar a la pared los muebles sueltos usando un soporte de fijación estándar.
  - No utilizar directamente sobre un cajón.
  - No colocar ningún aparato de calentamiento o cocción debajo del aparato.
  - No instalar la unidad por encima ni cerca de alguna porción de un aparato de calentamiento o cocción\*. (ver nota)
  - No montar encima del fregadero.
  - No colocar nada directamente encima de la superficie del aparato cuando esté en funcionamiento.
- 

**Nota:** \*La unidad puede instalarse directamente encima del cajón calentaplatos Gaggenau, modelo WS461.

---

### ATENCIÓN

---

#### Para evitar riesgo de sofocación:

No dejar que los niños jueguen con el material de embalaje. Almacenar las partes pequeñas en un lugar seguro, ya que éstas pueden causar asfixia.

#### Para evitar el riesgo de lesiones:

No meta las manos dentro de la unidad de molido. Tenga cuidado de no machucar sus dedos cuando cierre la puerta. Esto puede ocasionar lesiones.

#### Desempacando y trasladando la cafetera:



La unidad es pesada y debe ser manejada tomando en cuenta esto. Debe utilizarse el equipo de seguridad adecuado como guantes y la fuerza de al menos dos personas para mover la cafetera para evitar lesiones y daños a la unidad o al piso.

Deben ser retirados los anillos, relojes de pulsera, o cualquier otro artículo suelto que pueda dañar la unidad o que pueda quedar atorado en la unidad. Las superficies ocultas pueden tener bordes afilados. Proceder con cuidado al intentar sujetar el electrodoméstico por la parte trasera o desde abajo.

---

---

### ADVERTENCIA

---

#### Peligro provocado por magnetismo

El electrodoméstico contiene imanes permanentes que podrían afectar a los implantes electrónicos, p. ej., marcapasos cardíacos o bombas de insulina. Las personas portadoras de implantes electrónicos deberán mantener una distancia mínima de seguridad de 4 pulgadas (10 cm) con respecto al aparato y a los siguientes componentes después de retirarlos: el recipiente para la leche, el sistema de leche, el depósito de agua y la unidad de preparación.

---

### Advertencia en virtud de la Proposición 65 del estado de California:

---

### ADVERTENCIA

---

Este producto puede exponerlo a sustancias químicas, incluyendo cloruro de vinilo, que el estado de California sabe que provocan cáncer, defectos congénitos u otro daño reproductivo. Para obtener más información, ir a la página web: [www.P65Warnings.ca.gov](http://www.P65Warnings.ca.gov).

---

---

## Lista de partes incluidas

---

- (a) Cafetera automática
- (b) Instrucciones de montaje
- (c) Ángulo de montaje
- (d) Base del transformador
- (e) Distanciadores
- (f) 7 tornillos de fijación (plateados)
- (g) 2 tornillos de fijación (largos/negros)
- (h) 1 manguito (negro)
- (i) 2 tornillos de fijación (cortos/negros)
- (j) 2 manguitos (blancos)
- (k) Transformador
- (l) Guía de manguera
- (m) Abrazadera de manguera
- (n) Tornillos de fijación
- (o) Amortiguadores de bisagras

---

## Información general para la conexión de agua y de drenaje

---

El aparato no debe instalarse a una distancia mayor de  $39\frac{3}{8}$ " (1000 mm) con respecto a la conexión de desagüe. La conexión del agua se puede prolongar hasta  $118\frac{7}{64}$ " (3000 mm) mediante un tubo especial (número de pieza 00357081).

Se debe instalar una válvula de cierre entre la manguera de entrada de agua y la conexión de agua doméstica, de modo que el suministro de agua se pueda cerrar si es necesario. La válvula de cierre debe localizarse en un lugar fácilmente accesible después de efectuar la instalación.

El aparato cumple con los normas internacionales y no debe conectarse sin una válvula antirretorno.

Para la conexión se necesita un grifo con una conexión roscada de  $\frac{3}{4}$ " (26.4 mm). Si no está disponible, el aparato solo puede ser conectado por un técnico homologado.

La calidad del agua debe cumplir con el reglamento de agua potable del respectivo país en el que prestará servicio el aparato.

La conexión al suministro de agua doméstico y todos los equipos y dispositivos utilizados para suministrar agua al aparato deberán cumplir con las disposiciones aplicables del país correspondiente.

La conexión de desagüe debe encontrarse como mínimo 150 mm debajo del borde inferior del aparato.

La manguera de desagüe no debe ser prolongada.

Si la ubicación de la instalación del aparato está demasiado alejada del punto principal de drenaje (sifón), el sistema de drenaje (instalación doméstica) debe ser adaptado.

---

## Preparaciones para unidades empotradas

---

**Importante:** El tomacorriente debe ubicarse fuera de la zona del recorte para la unidad empotrada.

Asegurarse de que exista una suficiente circulación de aire. Para lograr esto, retirar el panel posterior o corte una abertura de  $19\frac{1}{16}$ " x  $15\frac{3}{4}$ " (500 x 400 mm). Debe haber un claro de al menos  $1\frac{3}{8}$ " (35 mm) entre la pared y la base de la unidad o el panel posterior de la unidad situado arriba. Las rejillas de ventilación y las aberturas de aspiración no deben quedar cubiertas. Para ello, seguir también las instrucciones de instalación del aparato que se encuentre encima o debajo. Si el aparato se instala encima de un cajón caliente platos, la altura del nicho debe ser de  $23\frac{1}{4}$ " (590 mm). Si el aparato está instalado directamente bajo un panel decorativo, asegurarse de que haya una ranura de ventilación de al menos 31 pulg<sup>2</sup> (200 cm<sup>2</sup>). La altura de la instalación ideal para la cafetera automática, medida desde el piso al borde inferior del aparato es de  $37\frac{3}{8}$ " (950 mm).

Proteja su cafetera y mangueras contra la congelación o se dañarán.

---

### ATENCION

---

La instalación siempre debe ser realizada por dos personas.

---

---

## Preparación para la instalación

---

- 1 Desembalar todos los componentes y verificar si presentan daños o desperfectos. Los aparatos que presenten daños o desperfectos no deberán ponerse en marcha. **Fig. 1**
- 2 Tenga en cuenta las dimensiones de montaje del respectivo modelo. **Fig. 2**  
**Importante:** Para la puerta se pueden seleccionar dos ángulos de abertura. Dependiendo del ángulo de abertura deseado, deberá tenerse en cuenta la distancia de montaje necesaria hasta la pared antes del montaje.
  - Ángulo de abertura máximo aprox.  $110^\circ$  (estado de entrega)  
= distancia de montaje a la pared como mínimo  $13\frac{3}{4}$ " (350 mm).
  - Ángulo de abertura aprox.  $155^\circ$   
= distancia de montaje a la pared como mínimo  $25\frac{9}{16}$ " (650 mm).  
Para un ángulo de abertura de  $155^\circ$ , retirar los dos toques superior e inferior de la bisagra.
- 3 Posicionar la escuadra de montaje (c) de conformidad con la medida indicada en la imagen y atornillarla en el armario mediante 2 tornillos de fijación (f), como se muestra. El ángulo de montaje debe ser colocado en la base de la unidad y la pared, de manera que no haya ninguna separación. **Fig. 3**
- 4 Fijar la base del transformador (d) con 2 tornillos (f) en el centro. **Fig. 4**
- 5 Insertar el transformador en la base. Las conexiones de ambos cables deben apuntar hacia la izquierda. **Fig. 5**  
**Nota:** Al colocar el transformador (k) y empujar el aparato hacia adentro, no dejar atrapados los cables.  
No está permitido que el transformador (k) toque el aparato ni la pared posterior de la alacena.
- 6 Poner el interruptor principal (U) del aparato en [O]. **Fig. 6**  
**Importante: Fig. 7**
  - La distancia entre el aparato y la pared posterior debe ser al menos de  $13\frac{15}{16}$ " (100 mm).
  - Se necesita un nicho de  $4\frac{23}{32}$ " (120 mm) x  $11\frac{13}{16}$ " (300 mm) para la manguera de entrada de agua y la manguera de desagüe. En caso necesario, ajuste adecuadamente la base del mueble.
  - La guía de manguera (I) debe finalizar en el borde de la base del mueble.
  - La guía de manguera (I) deberá ser adaptada al borde del mueble, en caso de necesidad.
- 7 Atornillar la guía de manguera (I) con el tornillo de fijación (i) en la pared posterior del aparato. **Fig. 8**



- 8 Insertar la manguera de desagüe en la guía de manguera (I).
- 9 Poner la manguera recta sobre el fondo del mueble y tenderla sobre el borde.
- 10 Pasar la manguera de entrada de agua y la manguera de desagüe a través del armario hacia la parte posterior.

**AVISO:** El cable de conexión y las mangueras no deben estar doblados, aplastados ni retorcidos.

---

## Conexión de drenaje

---

---

### ATENCION

---

El sistema de desagüe doméstico debe ser ventilado. El sifón debe tener una conexión adecuada. Verificar que la manguera de desagüe no esté doblada, aplastada o retorcida. Cerciorarse de que no hay ninguna tapa en la conexión de desagüe que impida el drenaje del agua. Retirla si es necesario. **Fig. 9**

---

- 1 Retirar la tapa de la manguera de desagüe.
- 2 Colocar la abrazadera de manguera en la manguera de desagüe.
- 3 Colocar la manguera de desagüe en la conexión de desagüe.
- 4 Utilizar la abrazadera de manguera para una fijación segura de la manguera de desagüe en la conexión de desagüe.
- 5 Controlar las conexiones y la conexión de desagüe en cuanto a fugas.

---

## Conexión de agua

---

Abrir el grifo de la conexión de agua y dejar salir aprox. 10 litros de agua para limpiar la tubería de agua doméstica. A continuación, cerrar el grifo.

---

### ADVERTENCIA

---

#### Riesgo de descarga eléctrica

El electrodoméstico debe estar desconectado del suministro eléctrico.

---

Conectar el aparato solamente a la toma de agua fría.

#### Fig. 10

Verificar que que la manguera de entrada de agua no esté doblada, aplastada o retorcida. La carcasa de plástico del AquaStop contiene una electroválvula, así que no debe sumergirse en agua. La manguera de entrada de agua contiene las líneas de conexión, por tanto, no cortar esta manguera.

- 1 Enroscar la manguera de entrada de agua con el AquaStop en el grifo.
- 2 Abrir lentamente el grifo hasta que esté totalmente abierto.
- 3 Controlar las conexiones y la manguera de entrada de agua en cuanto a fugas.

---

## Cómo instalar el aparato

---

- 1 Insertar firmemente el cable frontal en el aparato (se escucha un chasquido al encajar en su posición). Para lograrlo, colocar el aparato a ser enchufado justo sobre el borde del gabinete. Enchufar el cable de alimentación en el tomacorriente. **Fig. 11**  
Enchufar el transformador a su receptáculo correspondiente en un armario al que pueda acceder situado junto a la cafetera (según la situación de empotramiento). No enchufarlo a receptáculos que estén colocados detrás del aparato. Empujar el aparato hacia el interior del gabinete hasta que se escuche un chasquido. **Importante:** El enchufe debe permanecer fácilmente accesible en todo momento después de haber instalado el aparato.
- 2 Controlar el drenaje del agua. Para ello, vertir aprox. 0.5 litros de agua de un recipiente, p. ej., de una jarra, en la bandeja de goteo. El agua deberá drenar completamente. **Fig. 12**  
Si el agua no drena, comprobar si la manguera y la conexión de desagüe se han instalado de acuerdo con la información contenida en estas instrucciones de montaje.
- 3 Comprobar que el aparato esté centrado. Si es necesario, alinear el aparato. Para ello, sacar un poco el aparato, desprender los distanciadores (**e**) y colocarlos en el lado izquierdo (arriba y abajo). Empujar el aparato hacia el interior del gabinete hasta que se escuche un chasquido. Alinear el electrodoméstico horizontal y verticalmente. ¡El aparato no debe estar desnivelado en un ángulo mayor de 1° (2%) en cualquier dirección! **Fig. 13**
- 4 Tomar la puerta del aparato por la parte derecha junto a la salida y abrirla. Retirar la bandeja de goteo (**Y**). Tirar de la cubierta (**X**) desde la parte inferior izquierda hacia la parte delantera y retirarla. Extraer el cajón de accesorios (**Z**) y dejarlo a un lado. **Fig. 14**
- 5 Atornillar el aparato primero con 2 tornillos de fijación (**f**) y 2 tornillos (**g**), así como con 2 manguitos (**j**), como se muestra en la ilustración. A continuación, atornillar firmemente con 1 tornillo de fijación (**f**) y el manguito (**h**) arriba a la derecha de la unidad. **Fig. 15**  
A continuación:
  - Abrir la puerta en un ángulo de aprox. 55°.
  - Atornillar los tornillos (**n**).
  - Colocar los amortiguadores de las bisagras (**o**).

## 6 Solo para el instalador cualificado:

En raras ocasiones, debido a una deformación en el mueble empotrado, la puerta del aparato podría atrancarse. La puerta se puede ajustar. Para ello, ajustar las bisagras por arriba y por abajo:

- Ajustar la profundidad de la puerta girando los tornillos **(V)**. **Fig. 16.I**
- Retirar los amortiguadores superior e inferior de las bisagras. Ajustar la inclinación y la posición horizontal de la puerta girando los tornillos **(W)**.
- Volver a colocar los amortiguadores de las bisagras. **Fig. 16.III**

7 Colocar la tapa **(X)** y fijarla con los dos tornillos de sujeción negros **(i)**. **Fig. 17**

8 Volver a colocar la bandeja de goteo **(Y)** y el cajón de accesorios **(Z)** y cerrar la puerta del aparato. **Fig. 18**

---

## Fallo en el flujo de agua

---

El filtro en el AquaStop debe limpiarse periódicamente para garantizar un flujo de agua adecuado.

- 1 Cerrar el grifo.
- 2 Desenroscar del grifo la manguera de entrada de agua con el AquaStop.
- 3 Limpiar el filtro con un cepillo pequeño.  
**Importante:** No retirar el filtro bajo ninguna circunstancia.
- 4 Enroscar en el grifo la manguera de entrada de agua con el AquaStop.
- 5 Abrir lentamente el grifo hasta que esté totalmente abierto.
- 6 Controlar las conexiones y la manguera de entrada de agua en cuanto a fugas.

La limpieza y el mantenimiento periódico del aparato evitará posibles averías.

---

## Retirada del aparato

---

- 1 Ejecutar el programa de vaciado.Consultar el manual de instrucciones.
- 2 Cerrar el grifo.
- 3 Desconectar el enchufe de la red eléctrica.
- 4 Desmontar la manguera de entrada de agua y de desagüe.
- 5 Retirar todos los tornillos.Véase la instalación.
- 6 Extraer cuidadosamente el aparato hacia fuera.
- 7 Retirar totalmente el aparato del armario.

---

## Especificaciones técnicas

---

Alimentación de energía con transformador tipo 8001010566 (Voltaje - frecuencia)	120 V CA - 60 Hz
Potencia de conexión	1600 W
Presión estática máxima de la bomba	19 bares
Capacidad máxima del depósito de agua (sin filtro)	81.15 oz. (2.4 l)
Capacidad máxima del depósito de café	17.64 oz. (500 g)
Longitud del cable de conexión (Enchufe - transformador)	39" (1 m)
Dimensiones del aparato (Aparato sin transformador) H x A x L	17.91 x 23.23 x 17.48" (455 x 590 x 444 mm)
Peso, vacío (Aparato sin transformador)	46 - 49 lb (21 - 22 Kg)
Molinillo	Cerámica

---

---

## Garantía AQUA-STOP

---

Además de la garantía normal proporcionada por BSH, BSH también compensará a los clientes por los daños causados por un fallo específico en el sistema Aqua-Stop dando lugar a una reclamación de garantía válida. Se efectuará la compensación bajo las siguientes condiciones:

- 1** Si el daño por agua es causado por defecto en los materiales o en la mano de obra en el sistema Aqua-Stop, BSH compensará a los clientes por daños razonables y verificables.
- 2** Para la aplicación de la garantía es imprescindible que el electrodoméstico con Aqua-Stop haya sido instalado y conectado correctamente de acuerdo con todas nuestras indicaciones; esto incluye también la prolongación Aqua-Stop (accesorio original) correctamente instalada. La garantía no es aplicable si el daño es provocado por conductos o griferías defectuosos empalmados en la conexión Aqua-Stop del grifo.





**Gaggenau**

BSH Home Appliance Corporation  
1901 Main Street, Suite 600  
Irvine, CA 92614  
+1-877-442-4436

[www.gaggenau.com/us](http://www.gaggenau.com/us)

© 2018 BSH Home Appliances

**Gaggenau Hausgeräte GmbH**

Carl-Wery-Straße 34  
81739 München  
GERMANY

**GAGGENAU**



8001117656 en-us, es-mx, fr-ca (980907)