



## CI 282 601

Frameless  
Width 30" (80 cm)

### Included accessories

**CA 060 600**  
Cooking sensor for temperature regulation within pots.  
For flex induction cooktop.

### Optional accessories

**CA 051 300**  
Teppan Yaki made of multi ply material  
For flex induction cooktop.

**CA 060 600**  
Cooking sensor for temperature regulation within pots.  
For flex induction cooktop.

**CA 230 100**  
Black magnetic twist control knob  
For flex induction cooktop.

**GP900001**  
Stainless steel frying sensor pan  
Non-stick coating, ø 6".

**GP 900 002**  
Stainless steel frying sensor pan  
Non-stick coating, ø 7".

**GP 900 003**  
Stainless steel frying sensor pan  
Non-stick coating, ø 8".

**GP 900 004**  
Stainless steel frying sensor pan  
Non-stick coating, ø 11".

## 200 series flex induction cooktop

### CI 282

- Frameless for flush mounting only
- Flex function for combining the rectangular cooking areas
- Free positioning of cookware inside combined cooking areas
- Cooking sensor function for temperature control in pots
- Frying sensor function for temperature control in pans
- Twist-Pad control—the maneuverable magnetic knob sets cooking zone and temperature
- Easy control of all functions with bi-colored display

### Cooking zones

2 flex induction cooking areas 7 1/2" x 9" (2,200 W, with booster 3,700 W), linked together 15" x 9" (3,300 W, with booster 3,700 W).  
1 induction cooking zone ø 11" (2,600 W, with booster 3,700 W).  
1 induction cooking zone ø 6" (1,400 W, with booster 2,200 W).

### Operation

Twist-Pad control with removable magnetic knob.  
User friendly control with bi-colored display (white / orange).  
Cooking zone, and cooking area marking.  
Electronic power control in 17 output levels.

### Features

Flex function for rectangular cooking areas.  
Cooking sensor function (in use with cooking sensor CA 060 600).  
Frying sensor function.  
Booster function for pots.  
Booster function for pans.  
Keep warm function.  
Stopwatch.  
Cooking timer for up to 99 minutes.  
Short-term timer.  
Options menu.  
Power management.

Home network integration for digital services (Home Connect) wireless via WiFi. The use of the Home Connect functionality depends on the Home Connect services, which are not available in every country.  
For further information please check: [home-connect.com](http://home-connect.com).

### Safety

Main switch.  
Operation indication.  
Pot detection.  
2-stage residual heat indication.  
Child lock.  
Safety shut-off.

### Planning notes

Operates with magnetic (induction) iron pots and pans only. For an optimal heat distribution, the use of flat bottom cookware is recommended.  
The wok pan WP 400 001 cannot be used with this appliance.  
Immersion depth depending on installation situation, 2 3/4" for flush-mount.  
Intermediate shelf is recommended but should be removable for customer service needs.

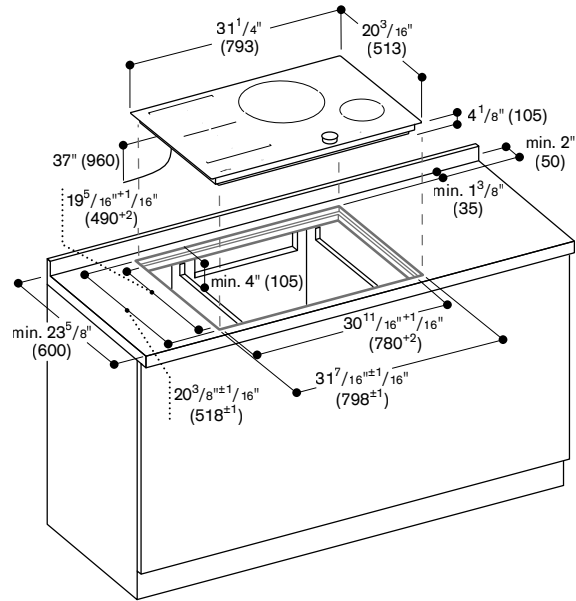
### Rating

Total rating: 7.2 kW  
Total Amps: 30 A.  
208/220–240 V / 60 Hz  
Connecting cable 37" without plug (hardwire required).

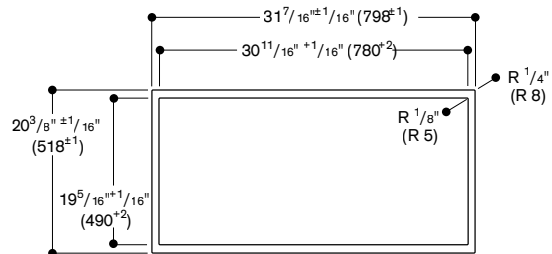
Appliance must be fixed from underneath. Hardware required.  
Cooktop clamping range: 1 3/16" – 1 9/16".  
Appliance weight: approx. 54 lbs.

Please read additional planning notes on page 122.

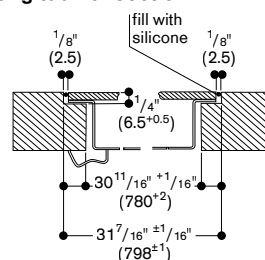
Please read the installation details regarding air ducting on page 147.



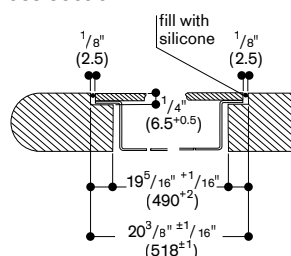
### View from above



### Longitudinal section



### Cross-section



Numbers indicated inside parenthesis ( ) = mm