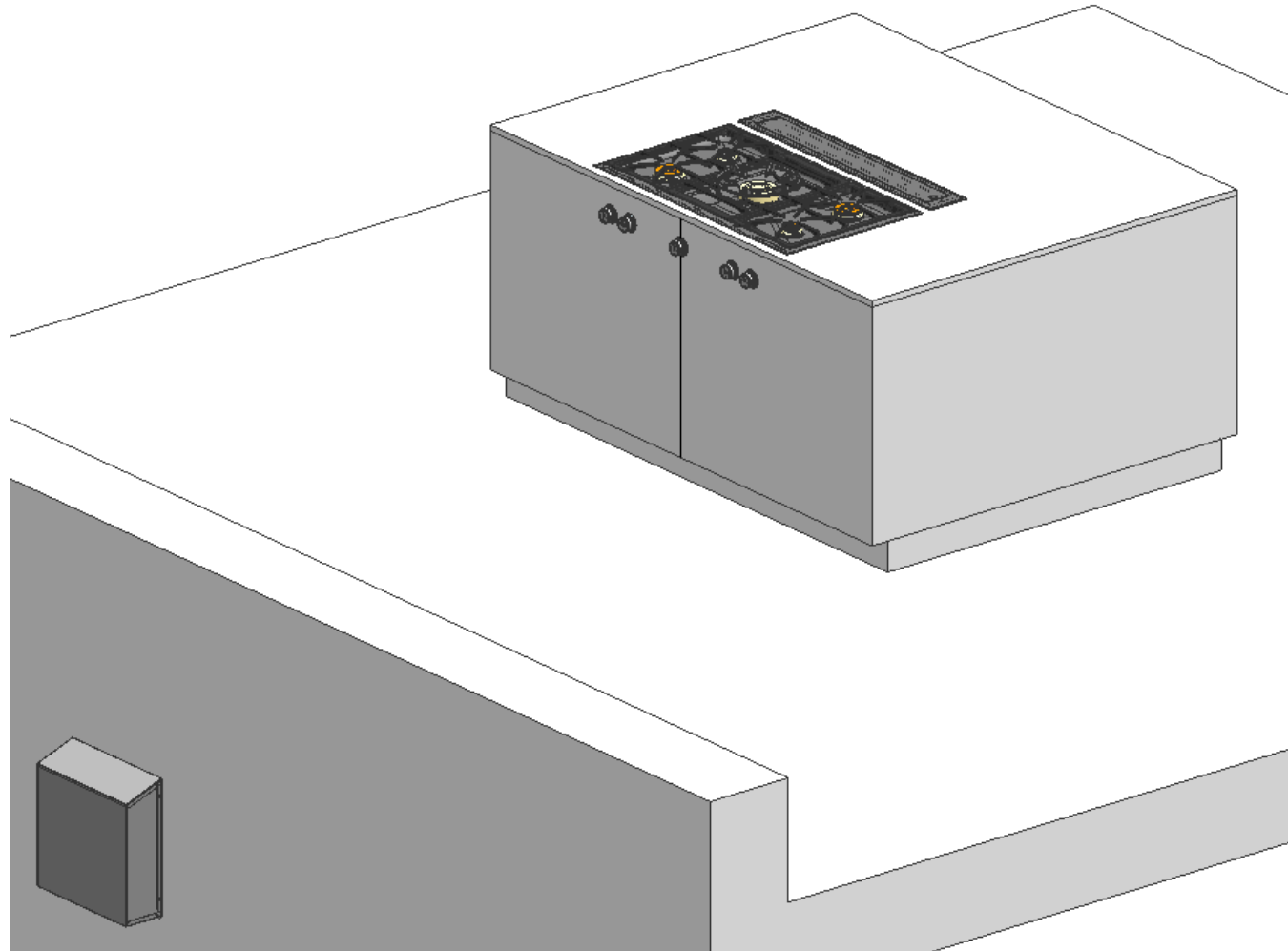


## **AL400 Island Configuration.**

**AL400791 36" retractable downdraft + AR401742 remote blower**

Configuration	AL400791-AR401742-VG491211	Min. Work depth	- mm	Ventilation mode	Extraction
Type reference cooktops	VG 491 211 CA	Type reference ventilation appliance	AL 400 791	Type reference remote fan unit	AR 401 742

## Installation view



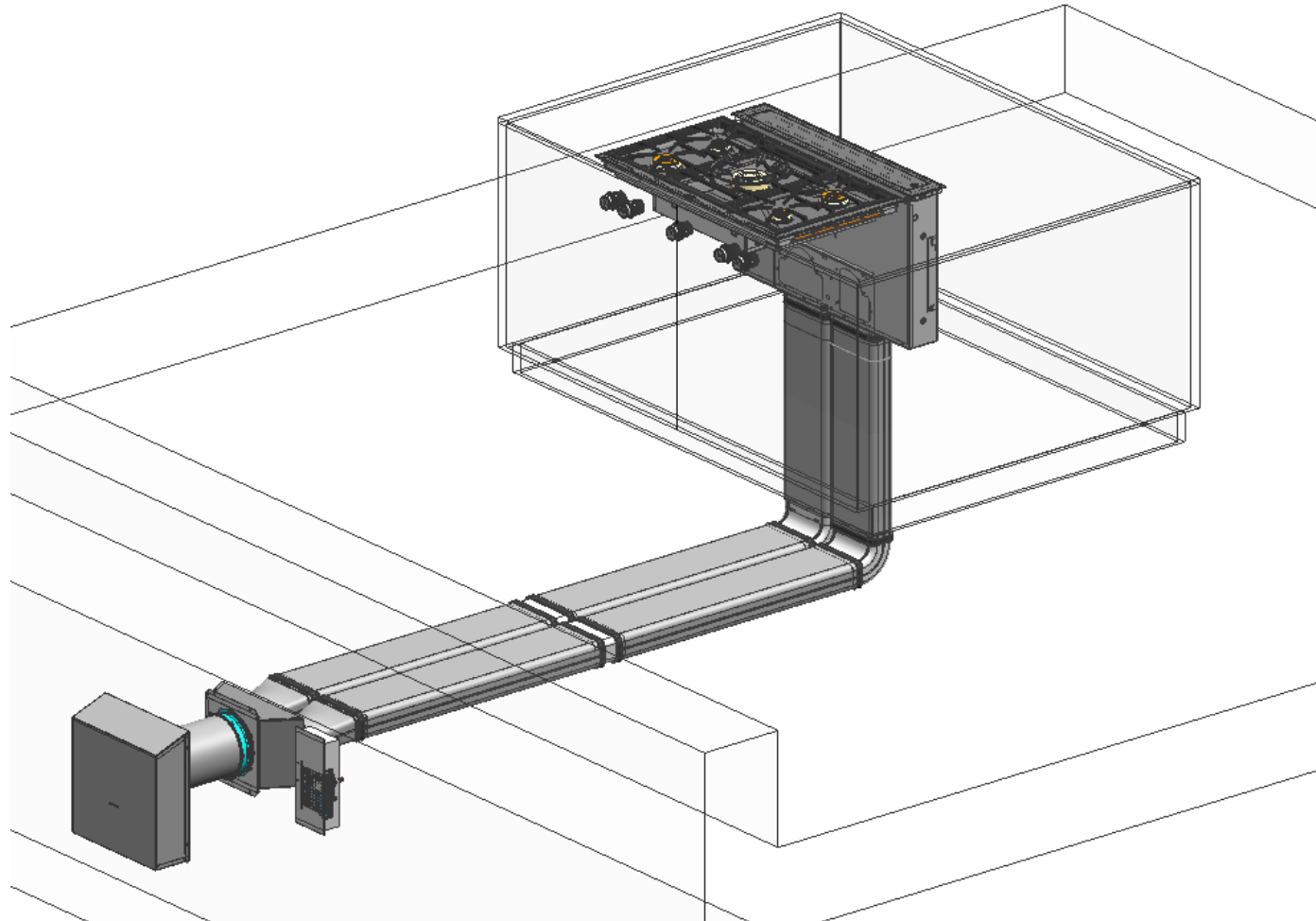
BSH Hausgeräte GmbH, Carl-Wery-Strasse 34, 81739 Munich, Germany  
 Chairman of the Supervisory Board: Prof. Dr. Stefan Asenkerschbaumer  
 Directors: Uwe Raschke (Chairman), Dr. Gerhard Dambach, Matthias Ginthum, Dr. Silke Maurer  
 Registered Office: Munich; Registry Court: Amtsgericht München, HRB 75534, WEEE-Reg.-No. DE 57986696

The drawing is provided only as an example.  
 Please pay attention to the technical installation drawings in the Gaggenau Models and Dimensions. The technical drawings are not based on customer data and are merely for installation recommendation. The exact installation must be verified by the kitchen studio on an individual customer basis.

22. April 2020

Configuration	AL400791-AR401742-VG491211	Min. Work depth	- mm	Ventilation mode	Extraction
Type reference cooktops	VG 491 211 CA	Type reference ventilation appliance	AL 400 791	Type reference remote fan unit	AR 401 742

## Installation view



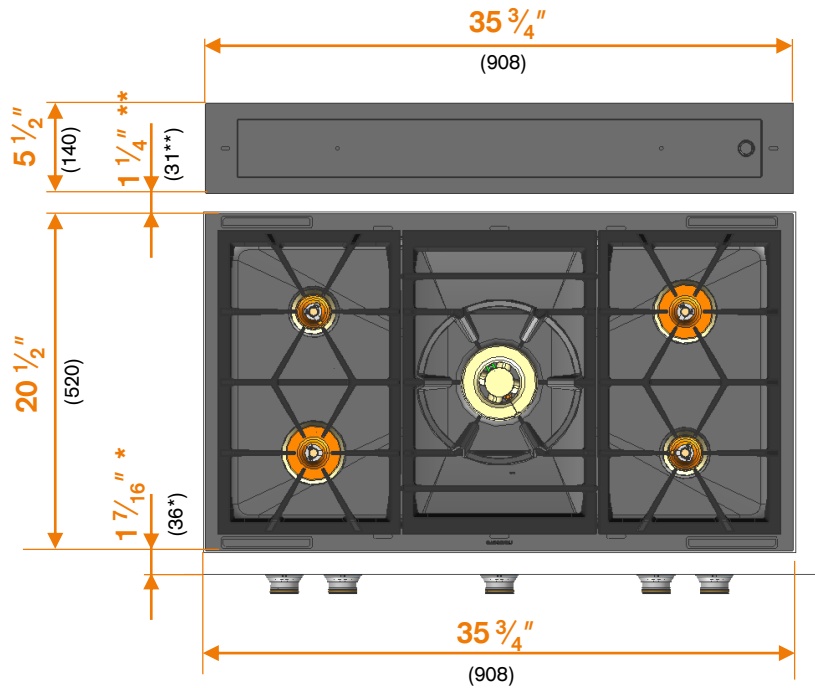
BSH Hausgeräte GmbH, Carl-Wery-Strasse 34, 81739 Munich, Germany  
 Chairman of the Supervisory Board: Prof. Dr. Stefan Asenkerschbaumer  
 Directors: Uwe Raschke (Chairman), Dr. Gerhard Dambach, Matthias Ginthum, Dr. Silke Maurer  
 Registered Office: Munich; Registry Court: Amtsgericht München, HRB 75534, WEEE-Reg.-No. DE 57986696

The drawing is provided only as an example.  
 Please pay attention to the technical installation drawings in the Gaggenau Models and Dimensions. The technical drawings are not based on customer data and are merely for installation recommendation. The exact installation must be verified by the kitchen studio on an individual customer basis.

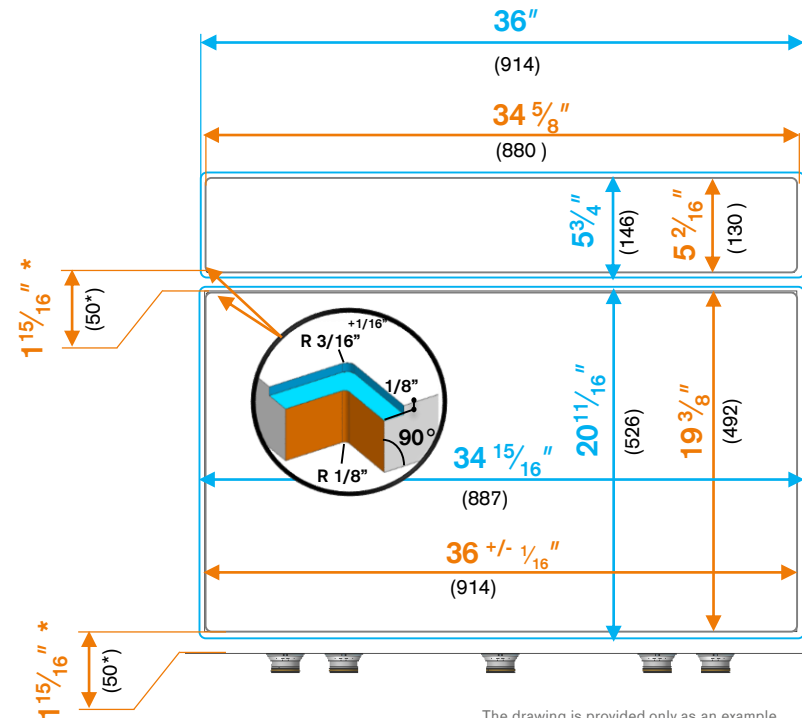
22. April 2020

Configuration	AL400791-AR401742-VG491211	Min. Work depth	- mm	Ventilation mode	Extraction
Type reference cooktops	VG 491 211 CA	Type reference ventilation appliance	AL 400 791	Type reference remote fan unit	AR 401 742

## Top view



## Cut out dimension. Flush mounting

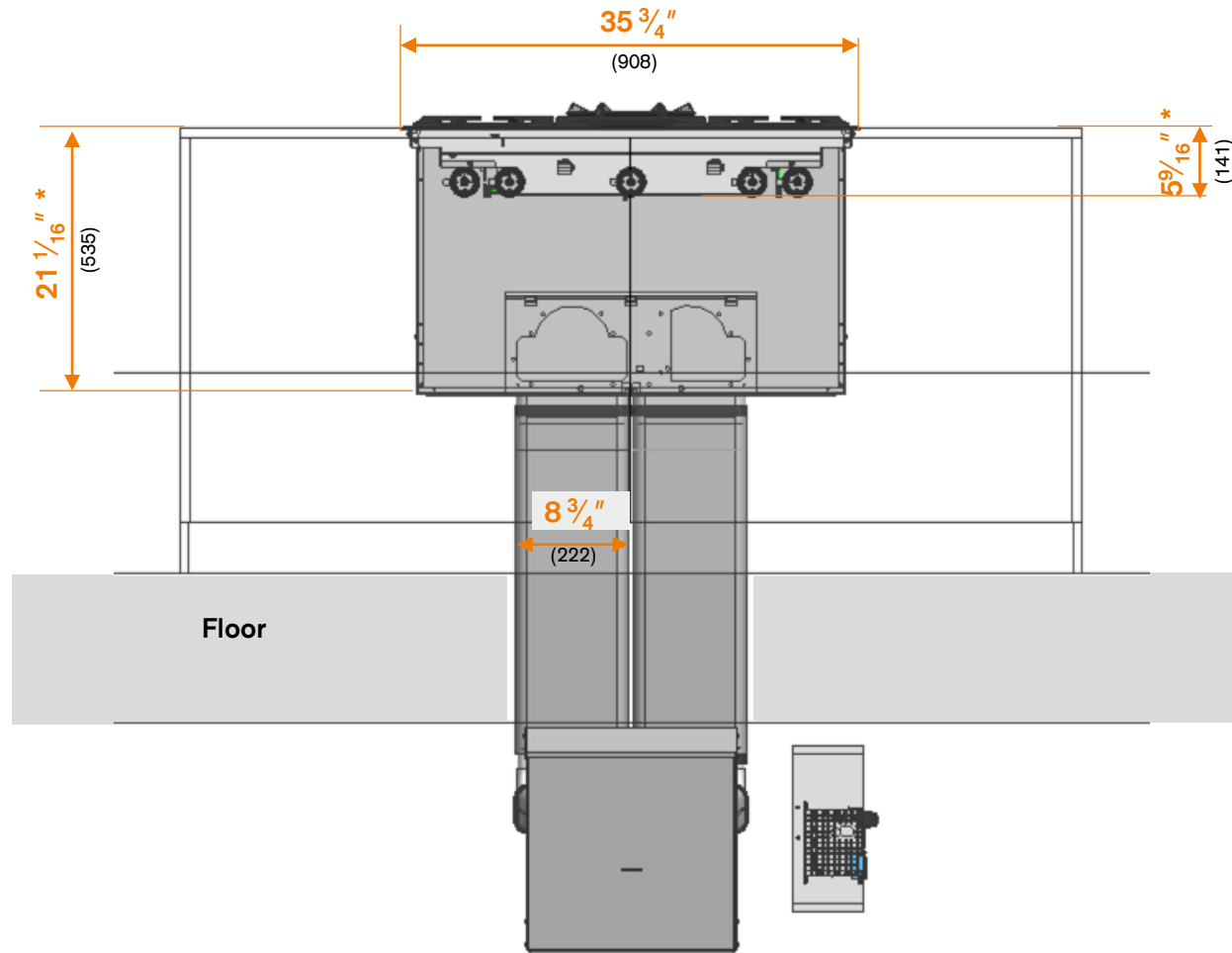


\*: Minimum distance. Distance can be adjusted

\*\* : Recommended distance.

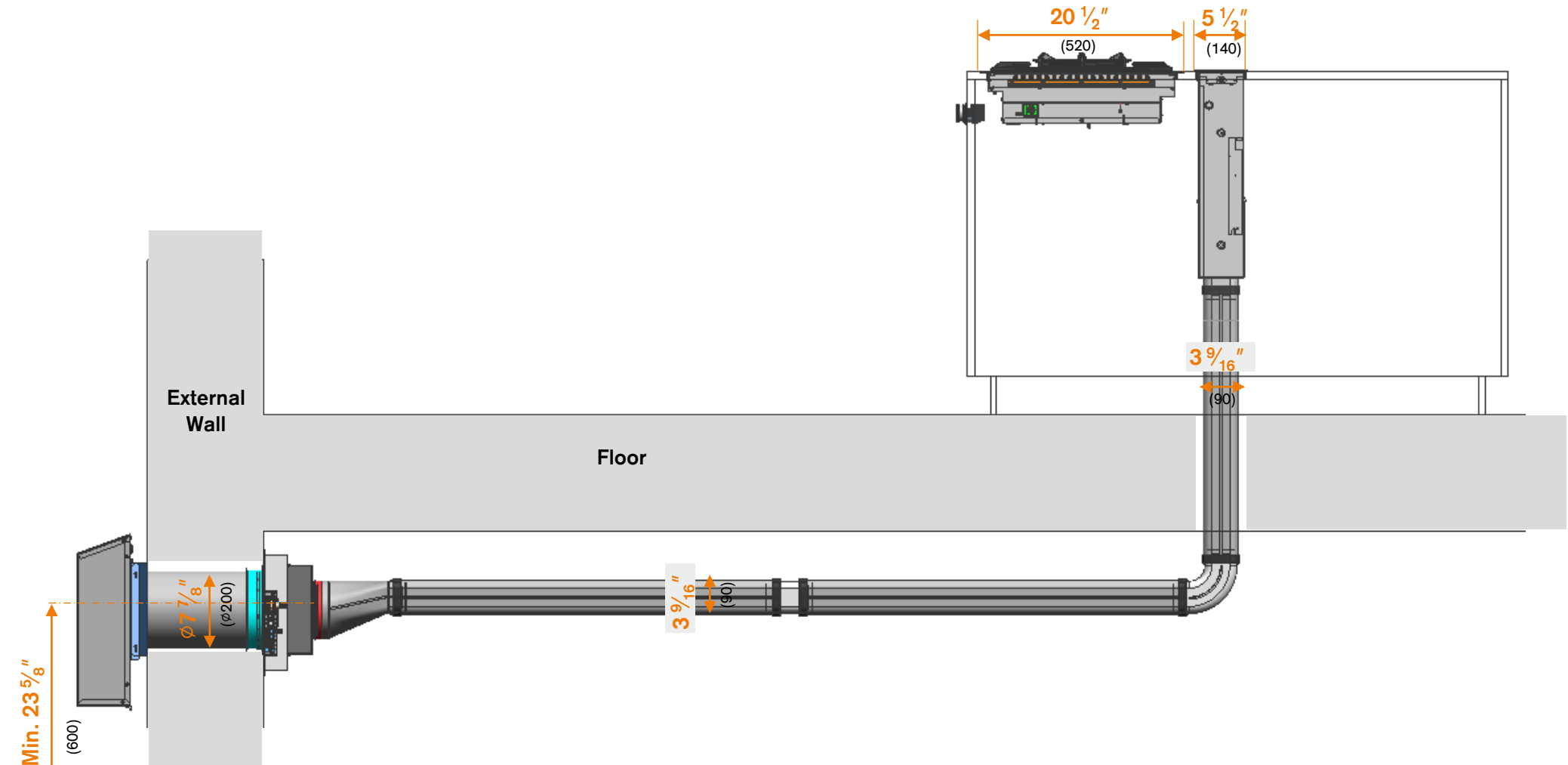
22. April 2020

Configuration	AL400791-AR401742-VG491211	Min. Work depth	- mm	Ventilation mode	Extraction
Type reference cooktops	VG 491 211 CA	Type reference ventilation appliance	AL 400 791	Type reference remote fan unit	AR 401 742

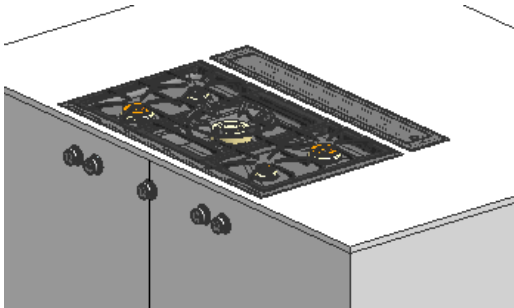
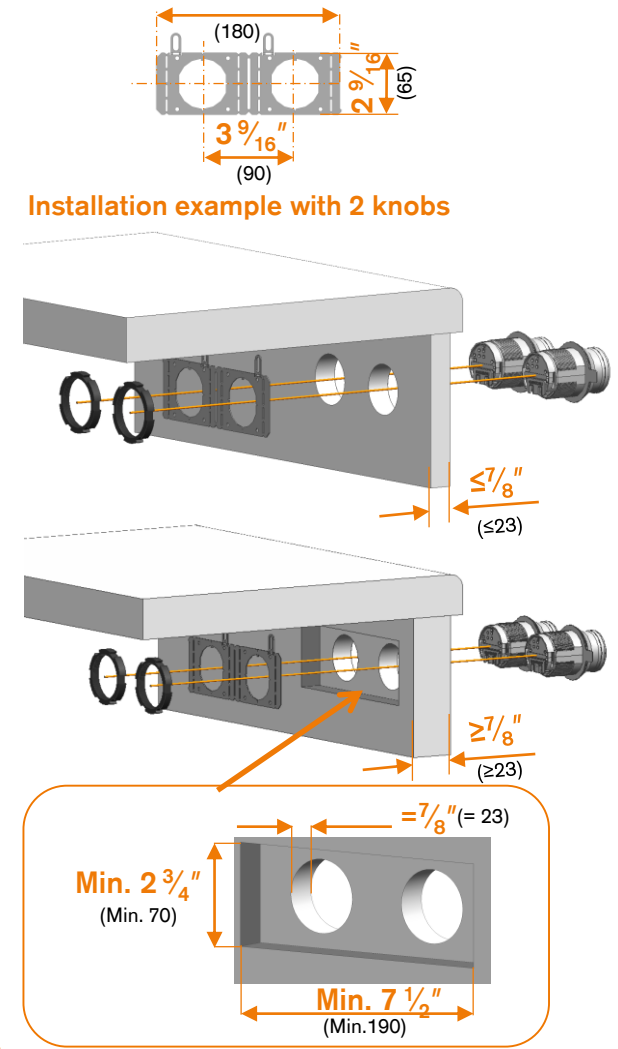
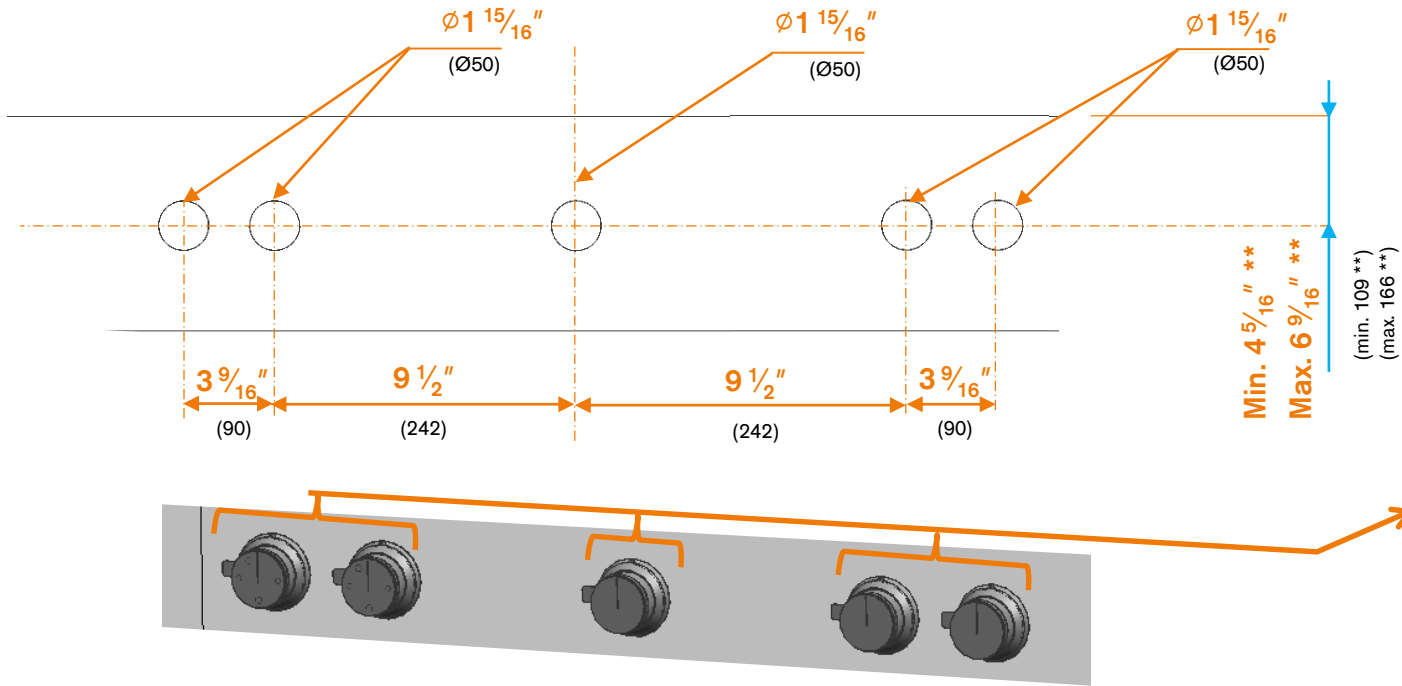


22. April 2020

Configuration	AL400791-AR401742-VG491211	Min. Work depth	- mm	Ventilation mode	Extraction
Type reference cooktops	VG 491 211 CA	Type reference ventilation appliance	AL 400 791	Type reference remote fan unit	AR 401 742



Configuration	AL400791-AR401742-VG491211	Min. Work depth	- mm	Ventilation mode	Extraction
Type reference cooktops	VG 491 211 CA	Type reference ventilation appliance	AL 400 791	Type reference remote fan unit	AR 401 742



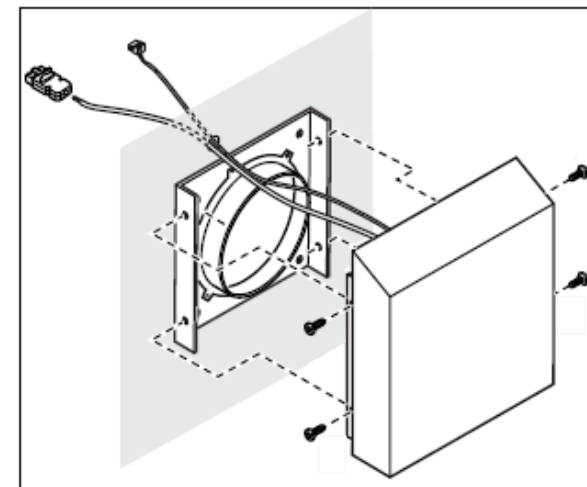
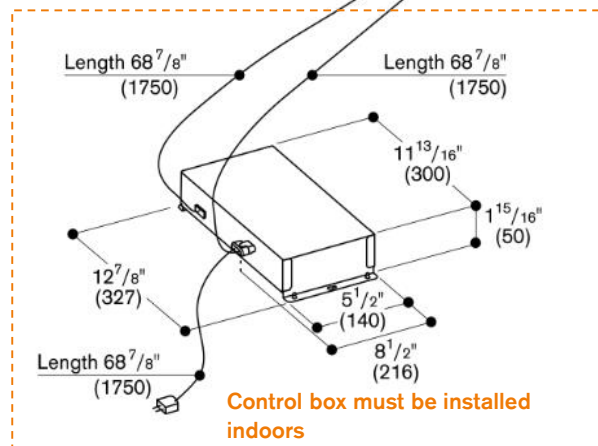
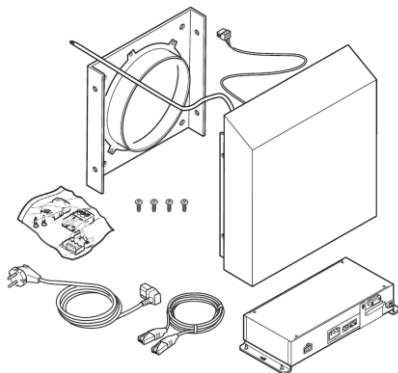
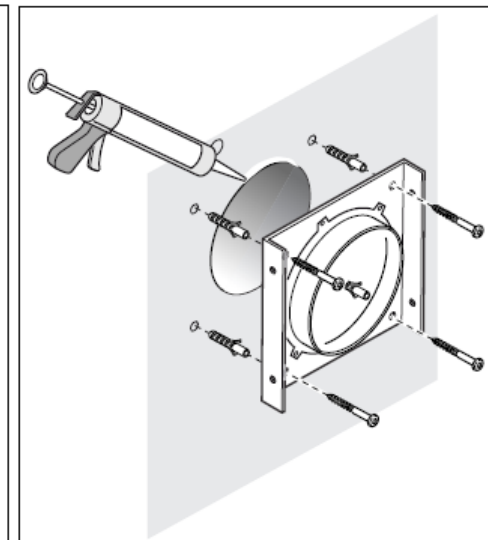
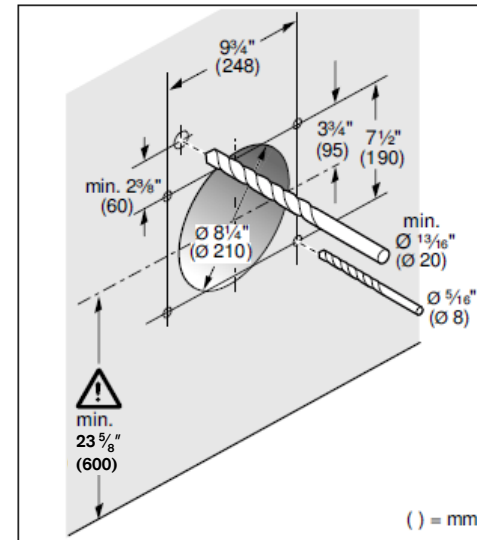
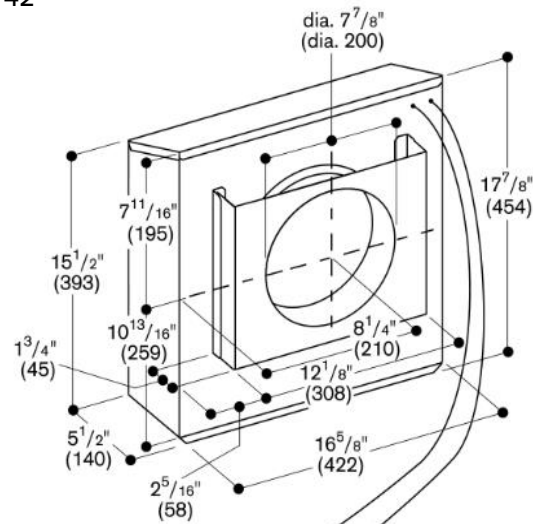
\*\* : for a flush mounting installation  
(inside parenthesis) = mm

BSH Hausgeräte GmbH, Carl-Wery-Strasse 34, 81739 Munich, Germany  
 Chairman of the Supervisory Board: Prof. Dr. Stefan Asenkerschbaumer  
 Directors: Uwe Raschke (Chairman), Dr. Gerhard Dambach, Matthias Ginthum, Dr. Silke Maurer  
 Registered Office: Munich; Registry Court: Amtsgericht München, HRB 75534, WEEE-Reg.-No. DE 57986696

The drawing is provided only as an example.  
 Please pay attention to the technical installation drawings in the Gaggenau Models and Dimensions. The technical drawings are not based on customer data and are merely for installation recommendation. The exact installation must be verified by the kitchen studio on an individual customer basis.

Configuration	AL400791-AR401742-VG491211	Min. Work depth	- mm	Ventilation mode	Extraction
Type reference cooktops	VG 491 211 CA	Type reference ventilation appliance	AL 400 791	Type reference remote fan unit	AR 401 742

## Information about remote fan unit AR 401 742

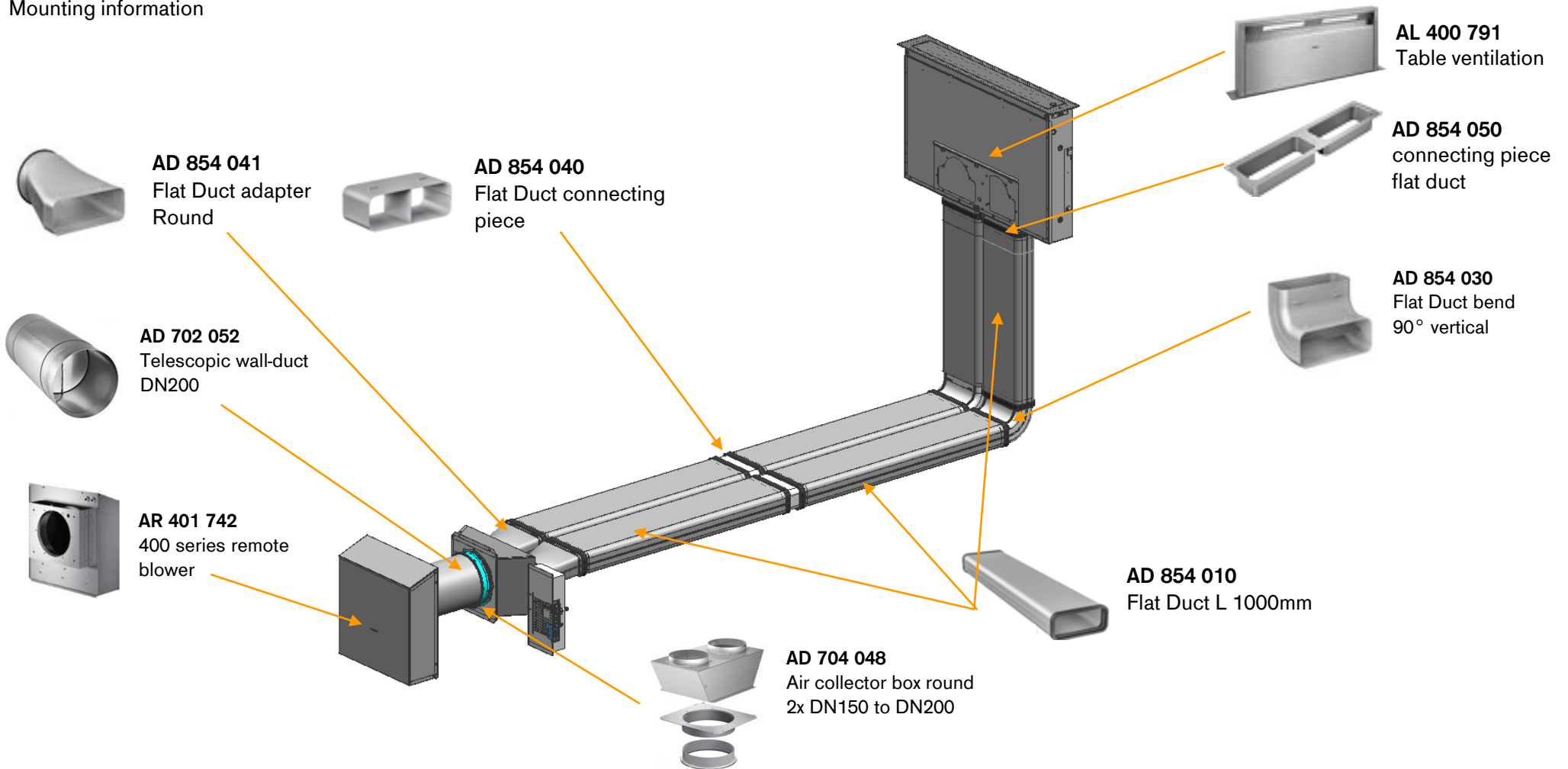




22. April 2020

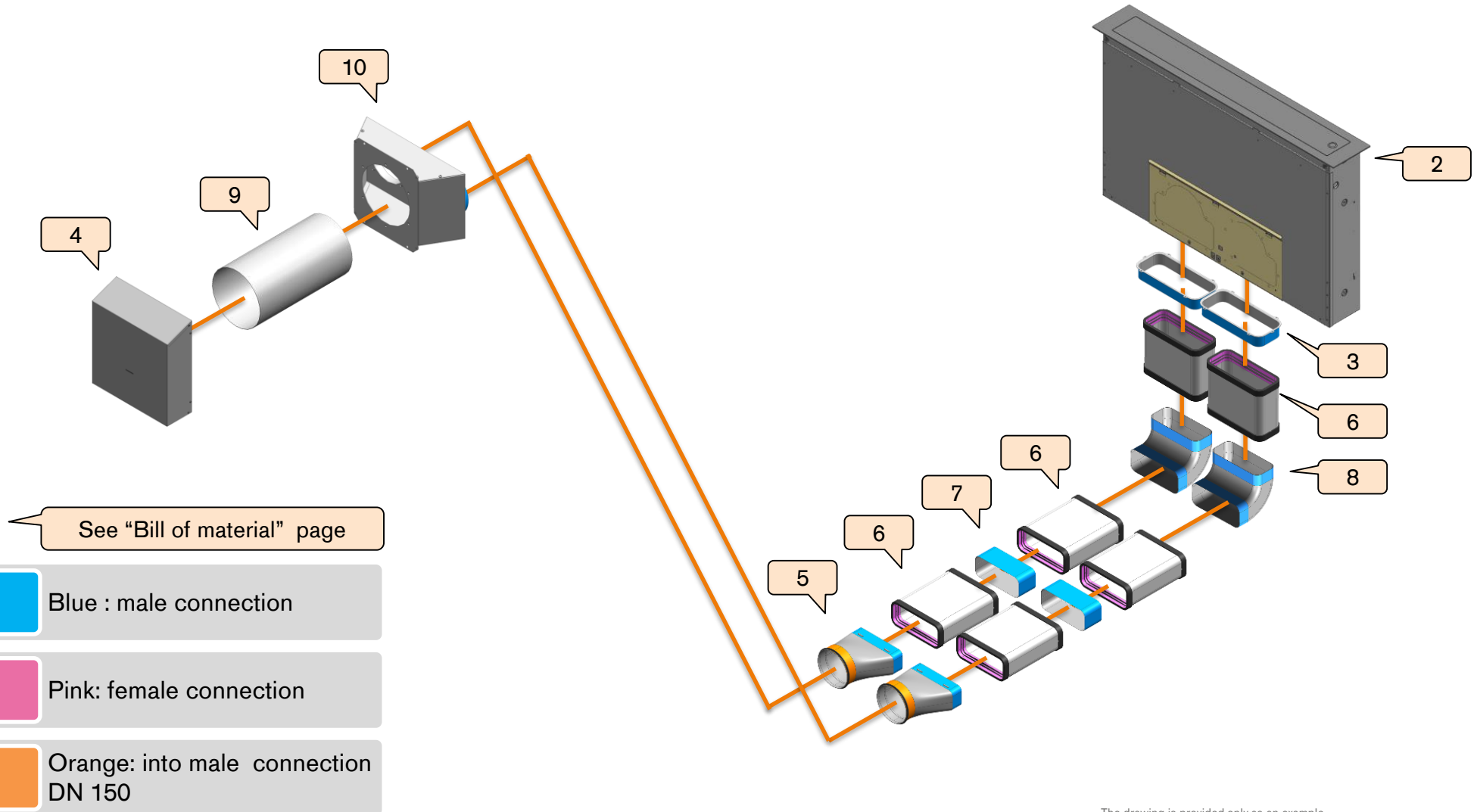
Configuration	AL400791-AR401742-VG491211	Min. Work depth	- mm	Ventilation mode	Extraction
Type reference cooktops	VG 491 211 CA	Type reference ventilation appliance	AL 400 791	Type reference remote fan unit	AR 401 742

## Mounting information



22. April 2020

Configuration	AL400791-AR401742-VG491211	Min. Work depth	- mm	Ventilation mode	Extraction
Type reference cooktops	VG 491 211 CA	Type reference ventilation appliance	AL 400 791	Type reference remote fan unit	AR 401 742

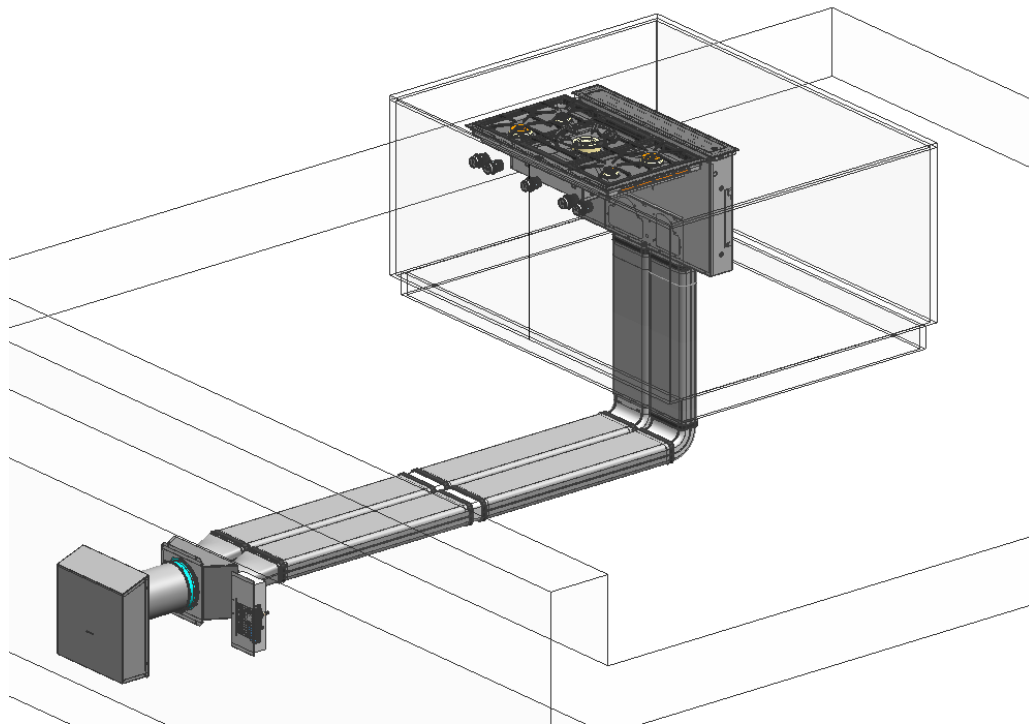


BSH Hausgeräte GmbH, Carl-Wery-Strasse 34, 81739 Munich, Germany  
 Chairman of the Supervisory Board: Prof. Dr. Stefan Asenkerschbaumer  
 Directors: Uwe Raschke (Chairman), Dr. Gerhard Dambach, Matthias Ginthum, Dr. Silke Maurer  
 Registered Office: Munich; Registry Court: Amtsgericht München, HRB 75534, WEEE-Reg.-No. DE 57986696

The drawing is provided only as an example.  
 Please pay attention to the technical installation drawings in the Gaggenau Models and Dimensions. The technical drawings are not based on customer data and are merely for installation recommendation. The exact installation must be verified by the kitchen studio on an individual customer basis.

22. April 2020

Configuration	AL400791-AR401742-VG491211	Min. Work depth	- mm	Ventilation mode	Extraction
Type reference cooktops	VG 491 211 CA	Type reference ventilation appliance	AL 400 791	Type reference remote fan unit	AR 401 742



Position	Quantity	Part number	Appliance Design / Accessories Design
1	1	VG 491 211CA	Vario gas cooktop 400 Series
2	1	AL 400 791	Table ventilation
3	1	AD 854 050	Connecting piece flat duct
4	1	AR 401 742	Remote fan unit
5	2	AD 854 041	Flat Duct adapter Round
6	6	AD 854 010	Flat Duct L 1000mm
7	2	AD 854 040	Flat Duct Connecting piece
8	2	AD 854 030	Flat Duct bend 90° vertical
9	1	AD 702 052	Telescopic wall-duct DN200
10	1	AD 704 048	Air collector box round 2x DN150 to DN200
11	1	AD 990 091	Adhesive tape for duct components Aluminium
12	1	AA 409 401	Furniture support 33 7/8" for 36"

**With a total connected load of more than 37,533 BTU local regulations concerning room ventilation, room size and combination of extraction or recirculation hoods must be observed.**