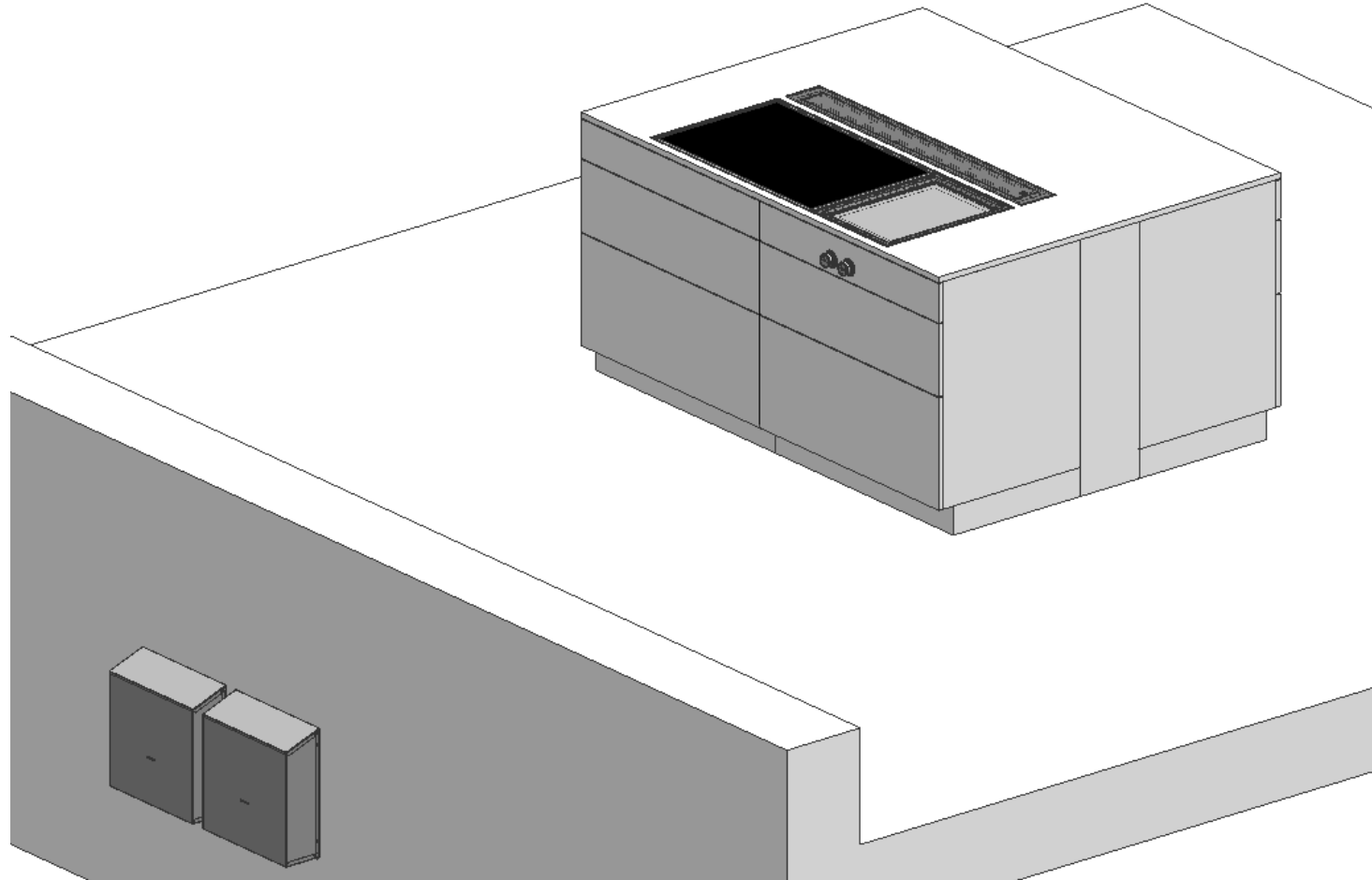


AL400 Island Configuration.

AL400721 46" retractable downdraft + (2) AR401742 remote blower

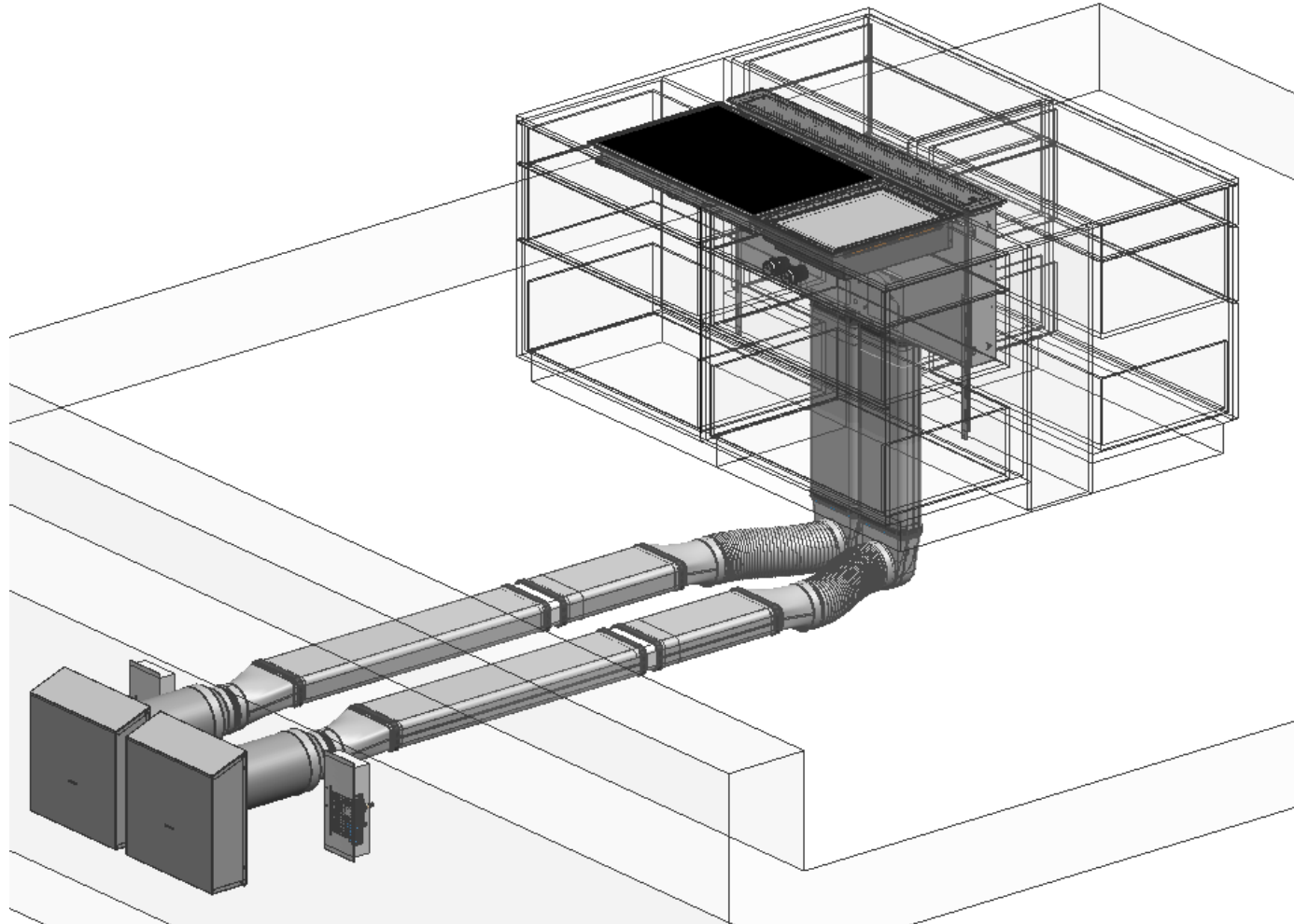
Configuration	AL400721-2xAR401742-CX482 +VP414	Min. Work depth	- mm	Ventilation mode	Extraction
Type reference cooktops	CX 482 610 – VP 414 611	Type reference ventilation appliance	AL 400 721	Type reference remote fan unit	AR 401 742

Installation view



Configuration	AL400721-2xAR401742-CX482 +VP414	Min. Work depth	- mm	Ventilation mode	Extraction
Type reference cooktops	CX 482 610 – VP 414 611	Type reference ventilation appliance	AL 400 721	Type reference remote fan unit	AR 401 742

Installation view



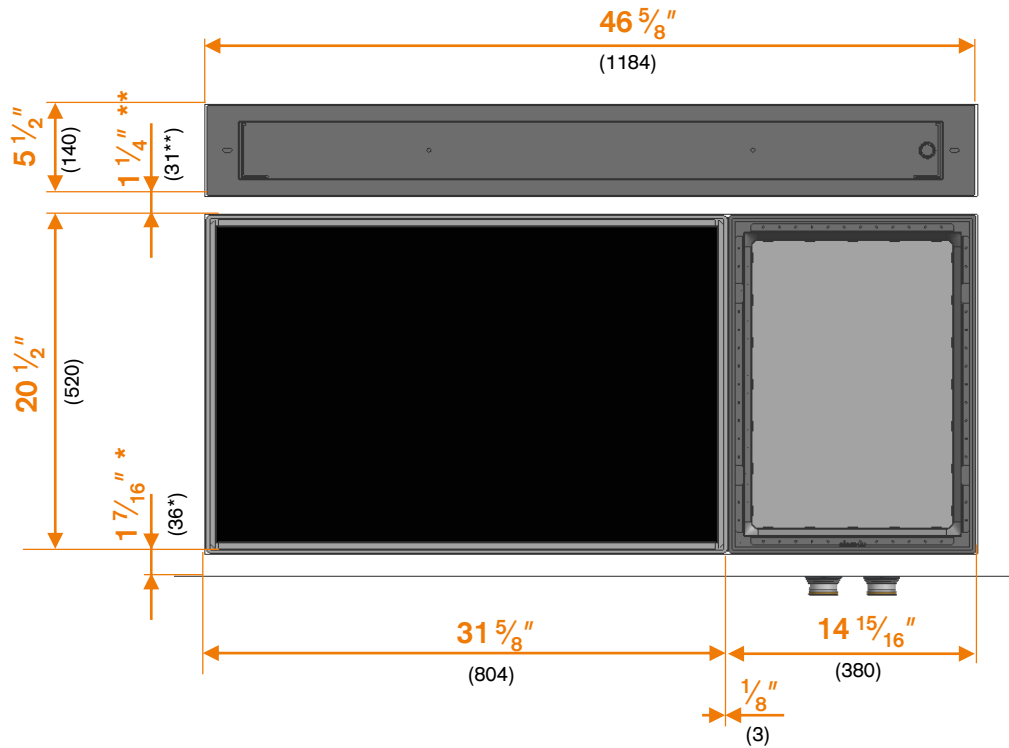
BSH Hausgeräte GmbH, Carl-Wery-Strasse 34, 81739 Munich, Germany
 Chairman of the Supervisory Board: Prof. Dr. Stefan Asenkerschbaumer
 Directors: Uwe Raschke (Chairman), Dr. Gerhard Dambach, Matthias Ginthum, Dr. Silke Maurer
 Registered Office: Munich; Registry Court: Amtsgericht München, HRB 75534, WEEE-Reg.-No. DE 57986696

The drawing is provided only as an example.
 Please pay attention to the technical installation drawings in the Gaggenau Models and Dimensions. The technical drawings are not based on customer data and are merely for installation recommendation. The exact installation must be verified by the kitchen studio on an individual customer basis.

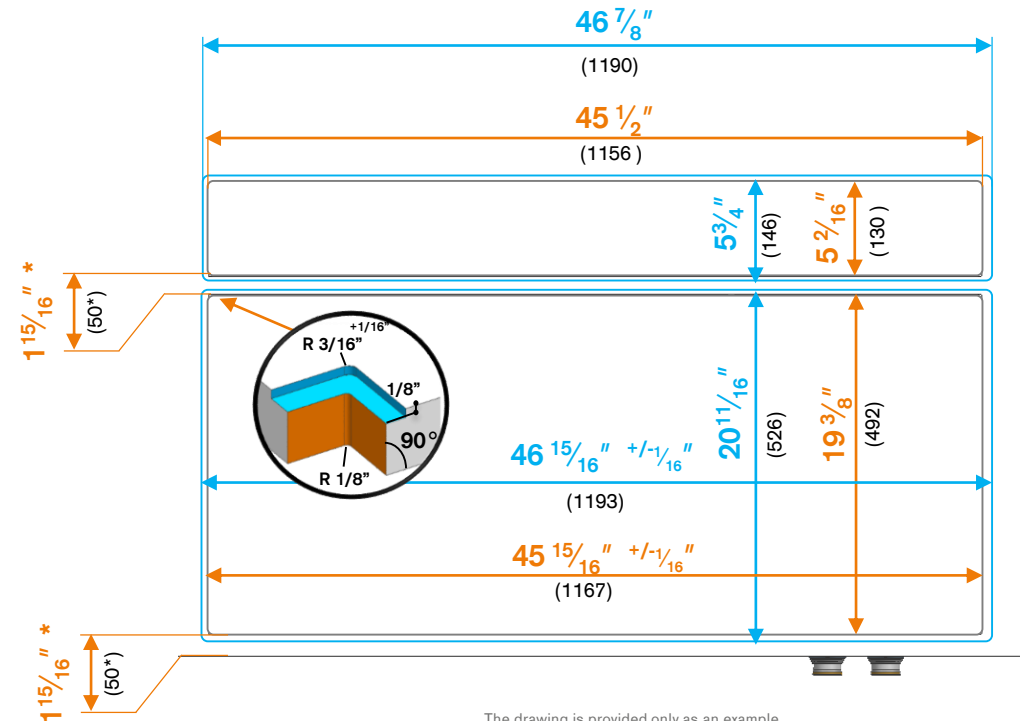
22. April 2020

Configuration	AL400721-2xAR401742-CX482 +VP414	Min. Work depth	- mm	Ventilation mode	Extraction
Type reference cooktops	CX 482 610 – VP 414 611	Type reference ventilation appliance	AL 400 721	Type reference remote fan unit	AR 401 742

Top view



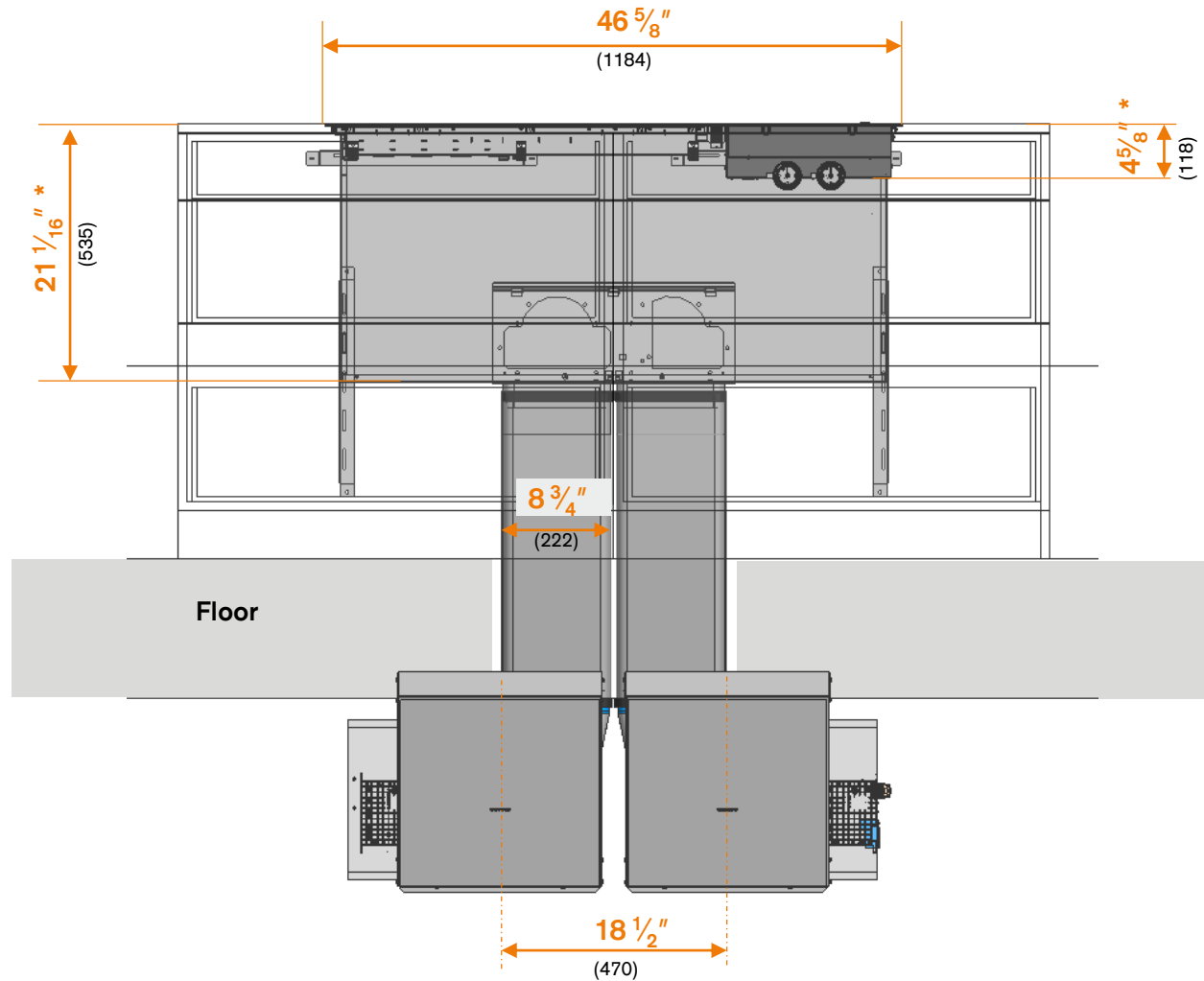
Cut out dimension. Flush mounting



*: Minimum distance. Distance can be adjusted

** : Recommended distance.

Configuration	AL400721-2xAR401742-CX482 +VP414	Min. Work depth	- mm	Ventilation mode	Extraction
Type reference cooktops	CX 482 610 – VP 414 611	Type reference ventilation appliance	AL 400 721	Type reference remote fan unit	AR 401 742

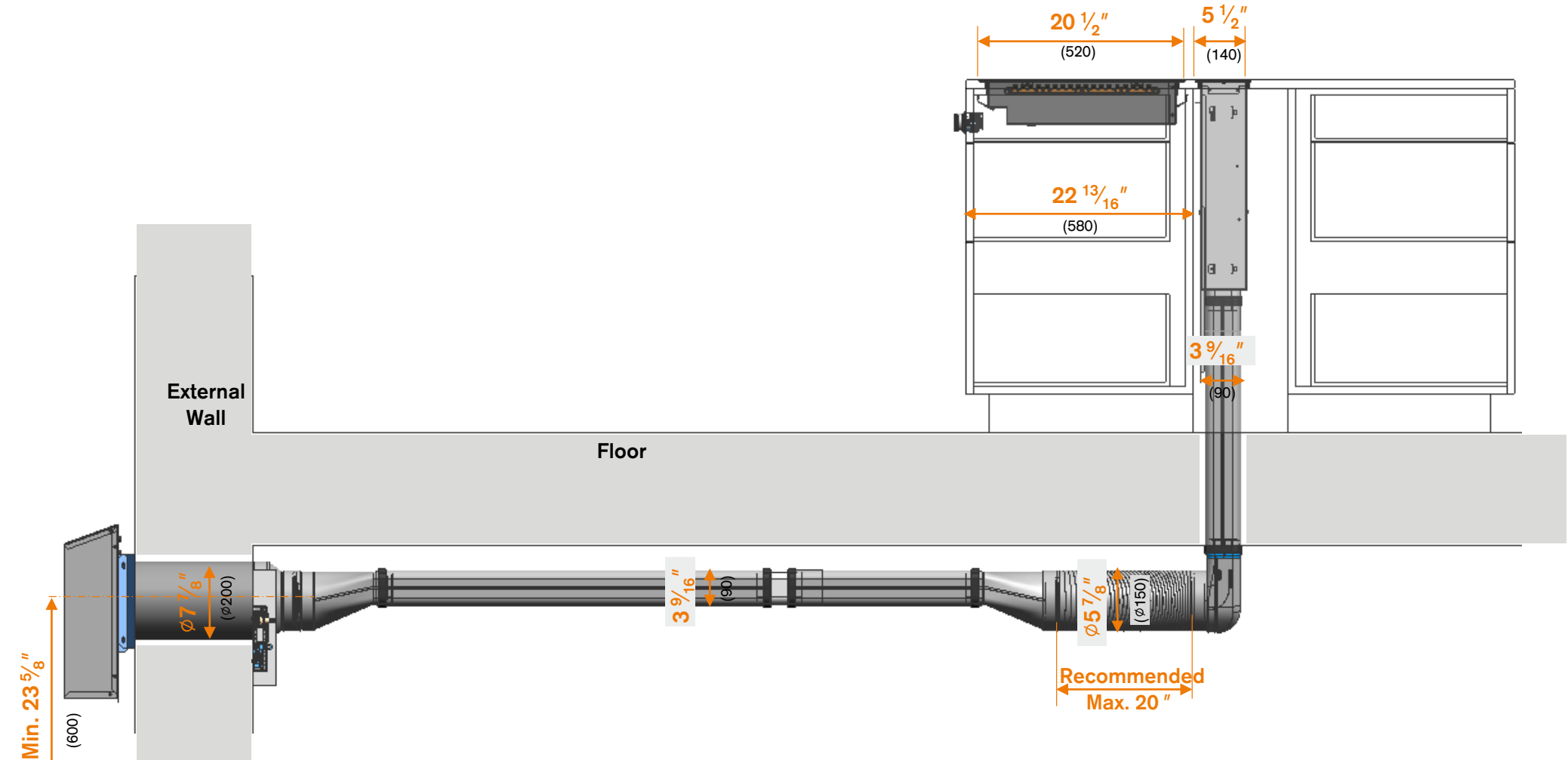


BSH Hausgeräte GmbH, Carl-Wery-Strasse 34, 81739 Munich, Germany
 Chairman of the Supervisory Board: Prof. Dr. Stefan Asenkerschbaumer
 Directors: Uwe Raschke (Chairman), Dr. Gerhard Dambach, Matthias Ginthum, Dr. Silke Maurer
 Registered Office: Munich; Registry Court: Amtsgericht München, HRB 75534, WEEE-Reg.-No. DE 57986696

The drawing is provided only as an example. Please pay attention to the technical installation drawings in the Gaggenau Models and Dimensions. The technical drawings are not based on customer data and are merely for installation recommendation. The exact installation must be verified by the kitchen studio on an individual customer basis.

22. April 2020

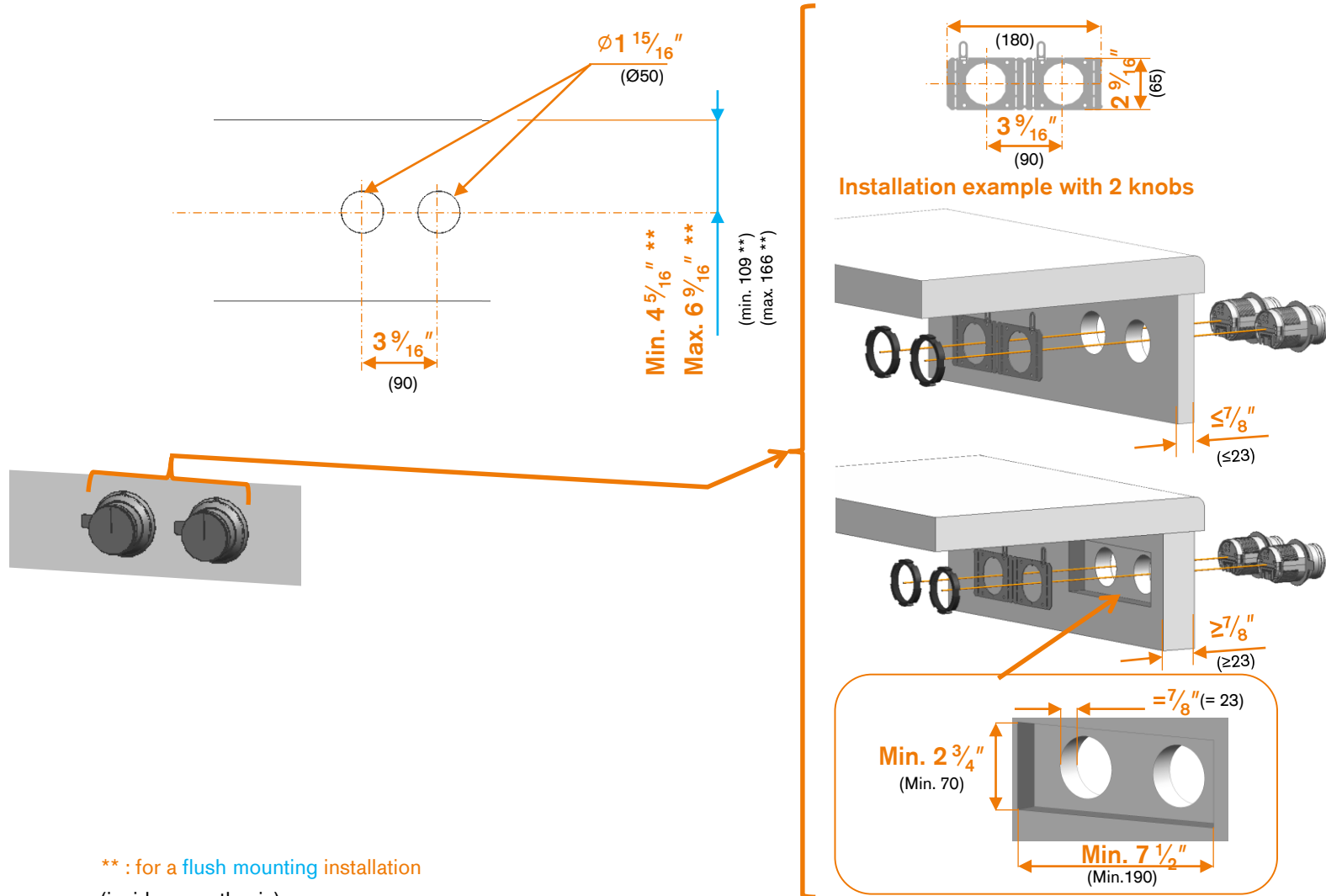
Configuration	AL400721-2xAR401742-CX482 +VP414	Min. Work depth	- mm	Ventilation mode	Extraction
Type reference cooktops	CX 482 610 – VP 414 611	Type reference ventilation appliance	AL 400 721	Type reference remote fan unit	AR 401 742



BSH Hausgeräte GmbH, Carl-Wery-Strasse 34, 81739 Munich, Germany
 Chairman of the Supervisory Board: Prof. Dr. Stefan Asenkerschbaumer
 Directors: Uwe Raschke (Chairman), Dr. Gerhard Dambach, Matthias Ginthum, Dr. Silke Maurer
 Registered Office: Munich; Registry Court: Amtsgericht München, HRB 75534, WEEE-Reg.-No. DE 57986696

The drawing is provided only as an example.
 Please pay attention to the technical installation drawings in the Gaggenau Models and Dimensions. The technical drawings are not based on customer data and are merely for installation recommendation. The exact installation must be verified by the kitchen studio on an individual customer basis.

Configuration	AL400721-2xAR401742-CX482 +VP414	Min. Work depth	- mm	Ventilation mode	Extraction
Type reference cooktops	CX 482 610 – VP 414 611	Type reference ventilation appliance	AL 400 721	Type reference remote fan unit	AR 401 742



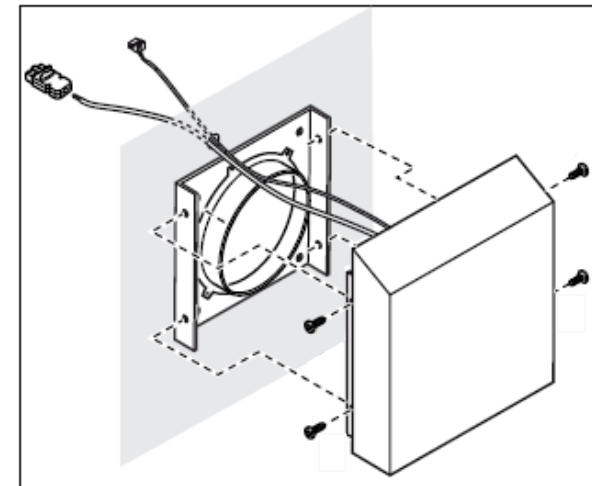
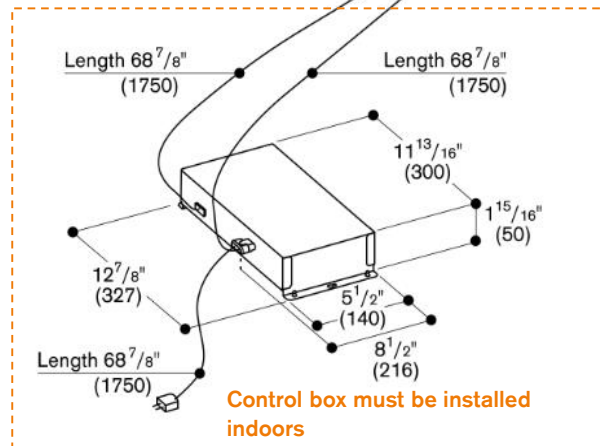
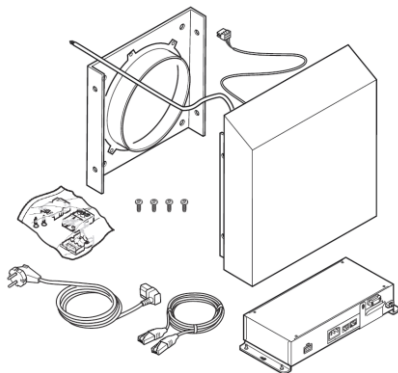
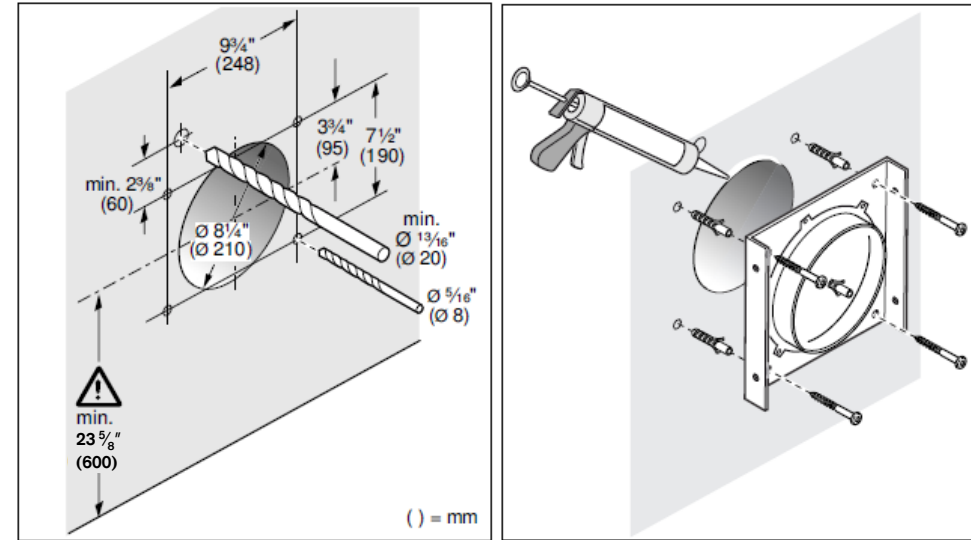
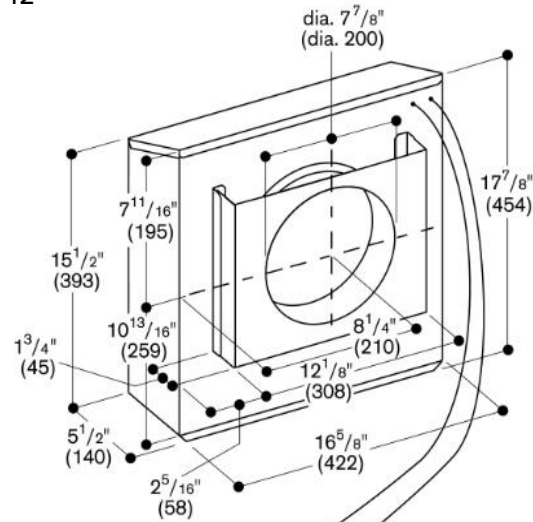
** : for a flush mounting installation
(inside parenthesis) = mm

BSH Hausgeräte GmbH, Carl-Wery-Strasse 34, 81739 Munich, Germany
 Chairman of the Supervisory Board: Prof. Dr. Stefan Asenkerschbaumer
 Directors: Uwe Raschke (Chairman), Dr. Gerhard Dambach, Matthias Ginthum, Dr. Silke Maurer
 Registered Office: Munich; Registry Court: Amtsgericht München, HRB 75534, WEEE-Reg.-No. DE 57986696

The drawing is provided only as an example. Please pay attention to the technical installation drawings in the Gaggenau Models and Dimensions. The technical drawings are not based on customer data and are merely for installation recommendation. The exact installation must be verified by the kitchen studio on an individual customer basis.

Configuration	AL400721-2xAR401742-CX482 +VP414	Min. Work depth	- mm	Ventilation mode	Extraction
Type reference cooktops	CX 482 610 – VP 414 611	Type reference ventilation appliance	AL 400 721	Type reference remote fan unit	AR 401 742

Information about remote fan unit AR 401 742



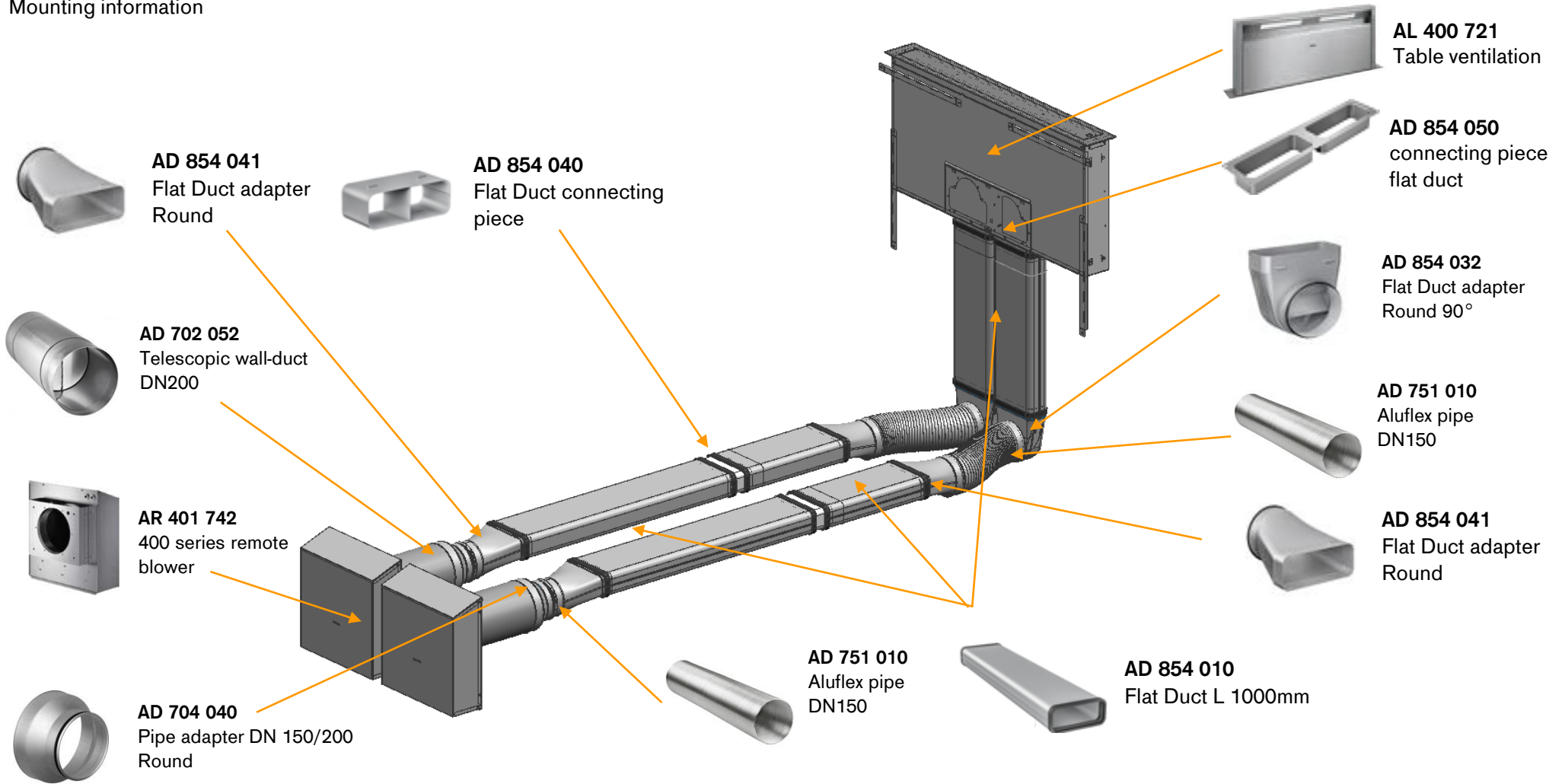
The drawing is provided only as an example. Please pay attention to the technical installation drawings in the Gaggenau Models and Dimensions. The technical drawings are not based on customer data and are merely for installation recommendation. The exact installation must be verified by the kitchen studio on an individual customer basis.

BSH Hausgeräte GmbH, Carl-Wery-Strasse 34, 81739 Munich, Germany
 Chairman of the Supervisory Board: Prof. Dr. Stefan Asenkerschbaumer
 Directors: Uwe Raschke (Chairman), Dr. Gerhard Dambach, Matthias Ginthum, Dr. Silke Maurer
 Registered Office: Munich; Registry Court: Amtsgericht München, HRB 75534, WEEE-Reg.-No. DE 57986696

22. April 2020

Configuration	AL400721-2xAR401742-CX482 +VP414	Min. Work depth	- mm	Ventilation mode	Extraction
Type reference cooktops	CX 482 610 – VP 414 611	Type reference ventilation appliance	AL 400 721	Type reference remote fan unit	AR 401 742

Mounting information

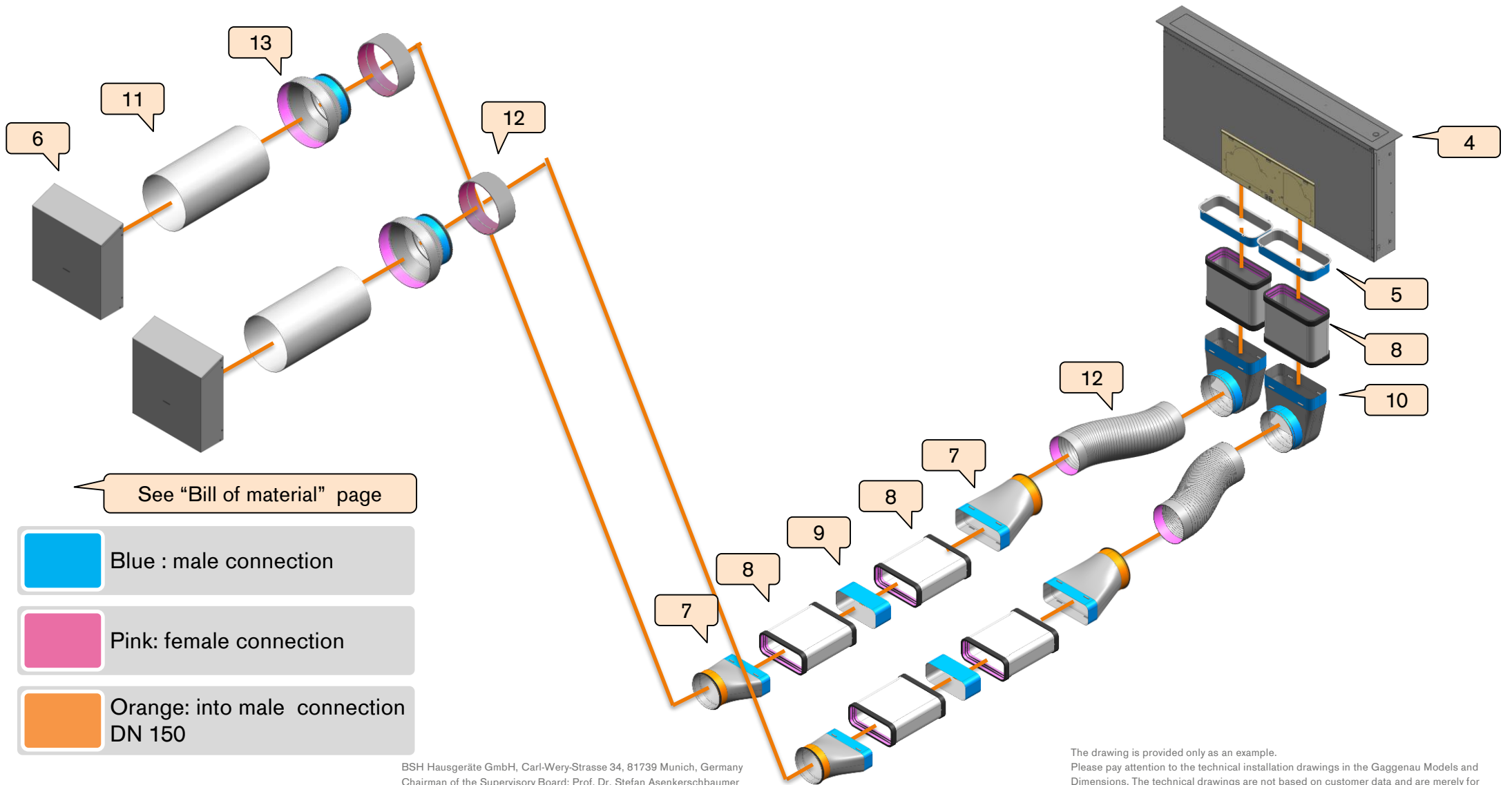


BSH Hausgeräte GmbH, Carl-Wery-Strasse 34, 81739 Munich, Germany
 Chairman of the Supervisory Board: Prof. Dr. Stefan Asenkerschbaumer
 Directors: Uwe Raschke (Chairman), Dr. Gerhard Dambach, Matthias Ginthum, Dr. Silke Maurer
 Registered Office: Munich; Registry Court: Amtsgericht München, HRB 75534, WEEE-Reg.-No. DE 57986696

The drawing is provided only as an example. Please pay attention to the technical installation drawings in the Gaggenau Models and Dimensions. The technical drawings are not based on customer data and are merely for installation recommendation. The exact installation must be verified by the kitchen studio on an individual customer basis.

22. April 2020

Configuration	AL400721-2xAR401742-CX482 +VP414	Min. Work depth	- mm	Ventilation mode	Extraction
Type reference cooktops	CX 482 610 – VP 414 611	Type reference ventilation appliance	AL 400 721	Type reference remote fan unit	AR 401 742

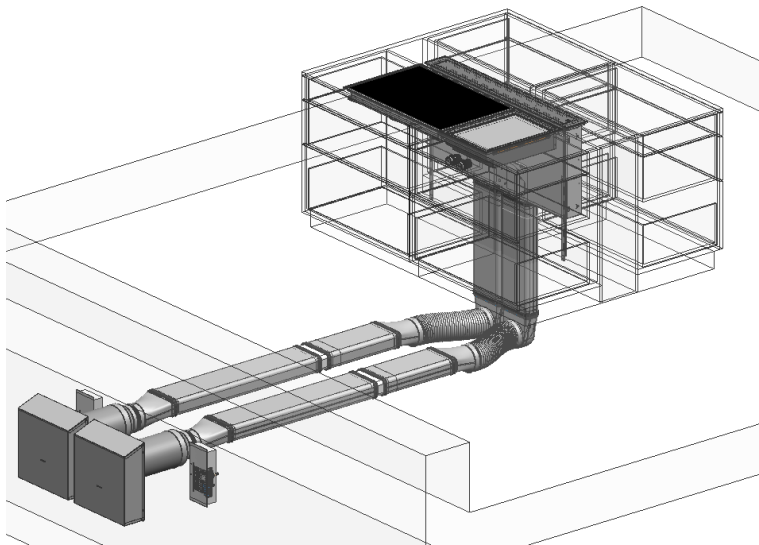


BSH Hausgeräte GmbH, Carl-Wery-Strasse 34, 81739 Munich, Germany
 Chairman of the Supervisory Board: Prof. Dr. Stefan Asenkerschbaumer
 Directors: Uwe Raschke (Chairman), Dr. Gerhard Dambach, Matthias Ginthum, Dr. Silke Maurer
 Registered Office: Munich; Registry Court: Amtsgericht München, HRB 75534, WEEE-Reg.-No. DE 57986696

The drawing is provided only as an example.
 Please pay attention to the technical installation drawings in the Gaggenau Models and Dimensions. The technical drawings are not based on customer data and are merely for installation recommendation. The exact installation must be verified by the kitchen studio on an individual customer basis.

22. April 2020

Configuration	AL400721-2xAR401742-CX482 +VP414	Min. Work depth	- mm	Ventilation mode	Extraction
Type reference cooktops	CX 482 610 – VP 414 611	Type reference ventilation appliance	AL 400 721	Type reference remote fan unit	AR 401 742



Position	Quantity	Part number	Appliance Design / Accessories Design
1	1	CX 482 610	Vario 400 series full surface induction cooktop
2	1	VP 414 611	Vario 400 series teppan yaki
3	1 Or 1	VA 420 000 Or VA 420 010	Connection strip for flush mounting Or Connection strip for surface mounting
4	1	AL 400 721	Table ventilation
5	1	AD 854 050	Connecting piece flat duct
6	2	AR 401 742	Remote fan unit
7	4	AD 854 041	Flat Duct adapter Round
8	6	AD 854 010	Flat Duct L 1000mm
9	2	AD 854 040	Flat Duct Connecting piece
10	2	AD 854 032	Flat Duct adapter Round 90°
11	2	AD 702 052	Telescopic wall-duct DN200
12	2	AD 751 010	Aluflex pipe DN150
13	2	AD 704 040	Pipe adapter DN 150/200 Round
14	2	AD 990 091	Adhesive tape for duct components Aluminium
15	1	AA 409 431	Furniture support 47 7/16" for 46 5/8"